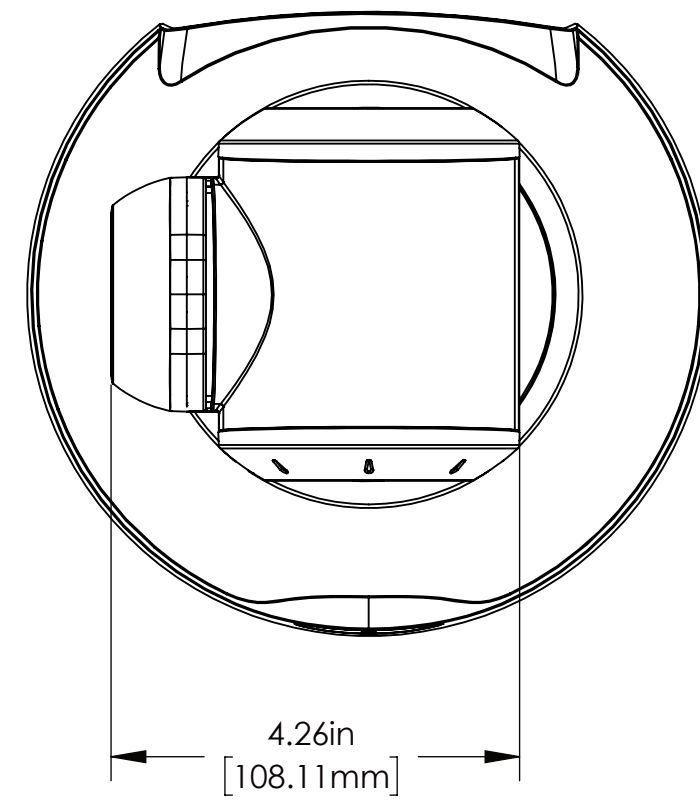
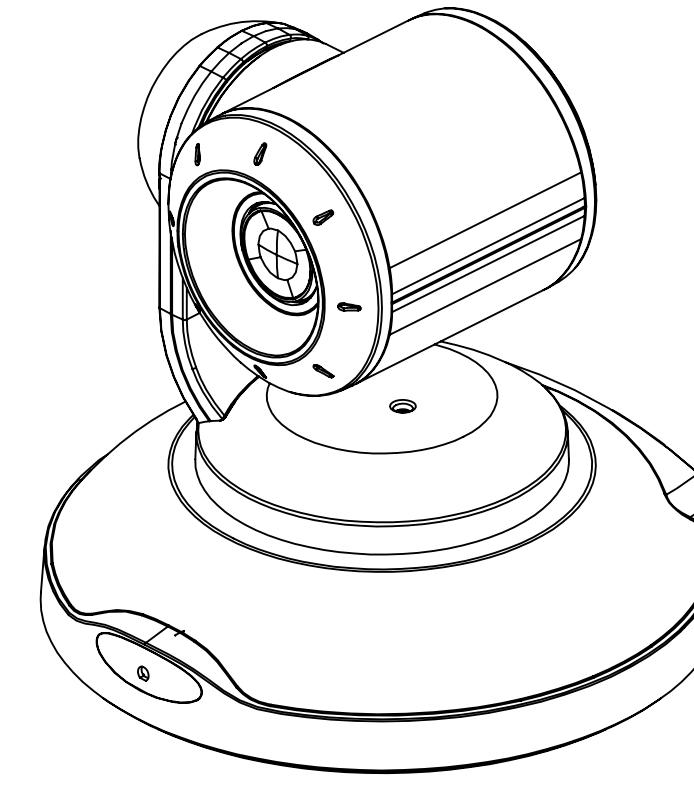


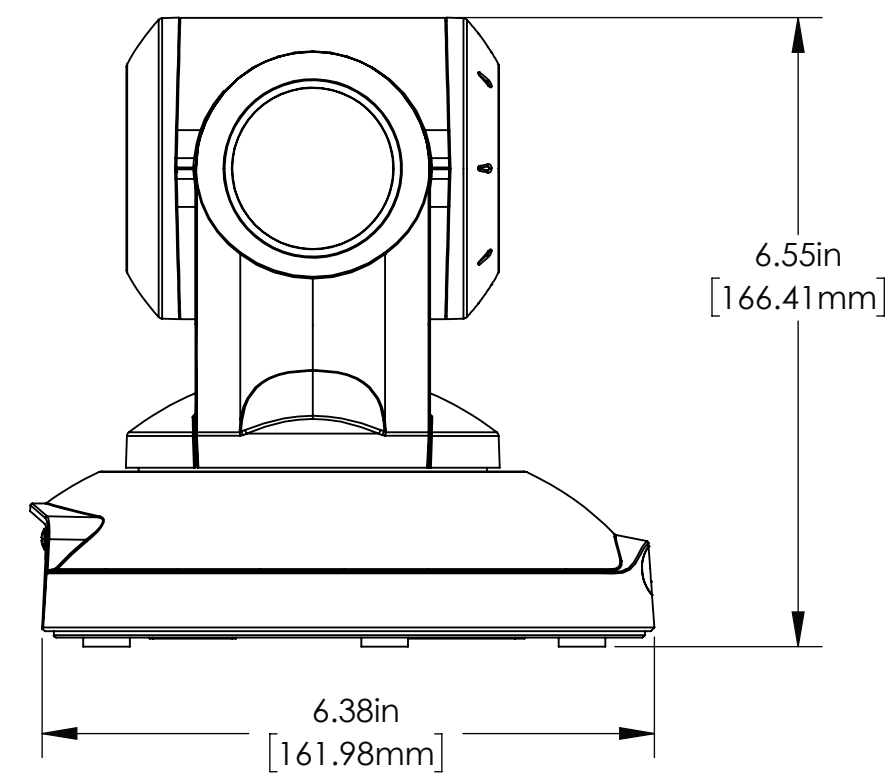
TOP VIEW



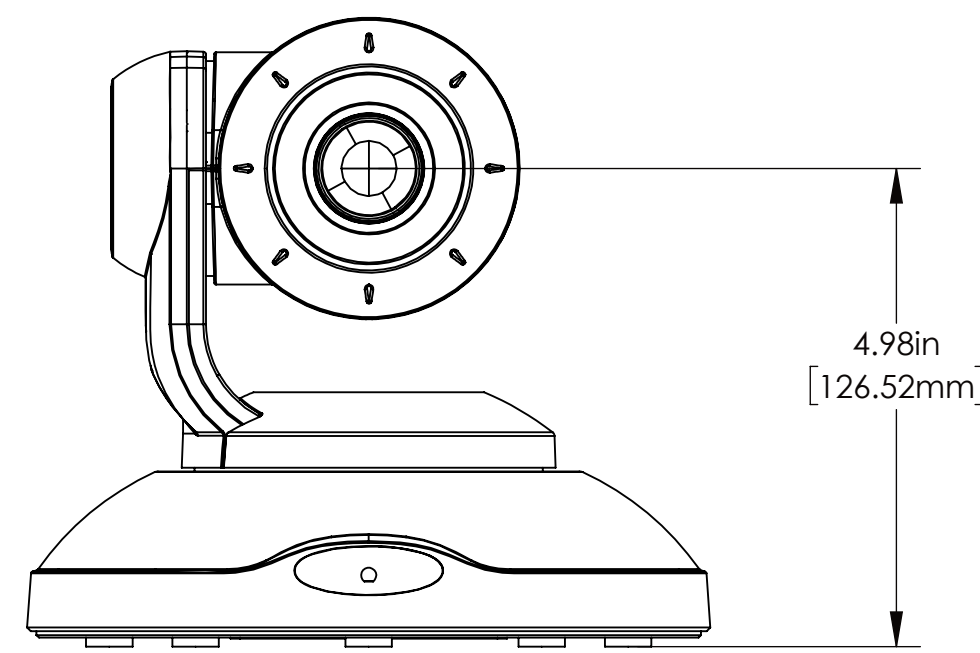
ISO VIEW



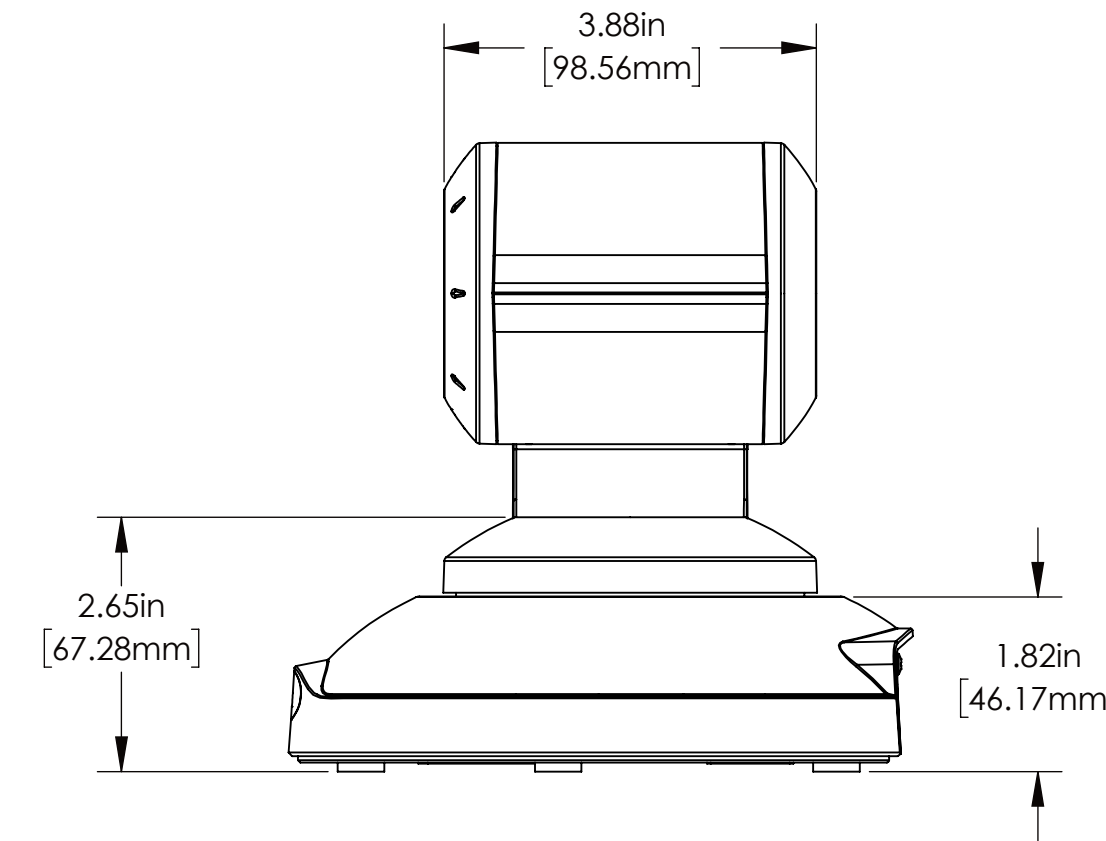
SIDE VIEW 1



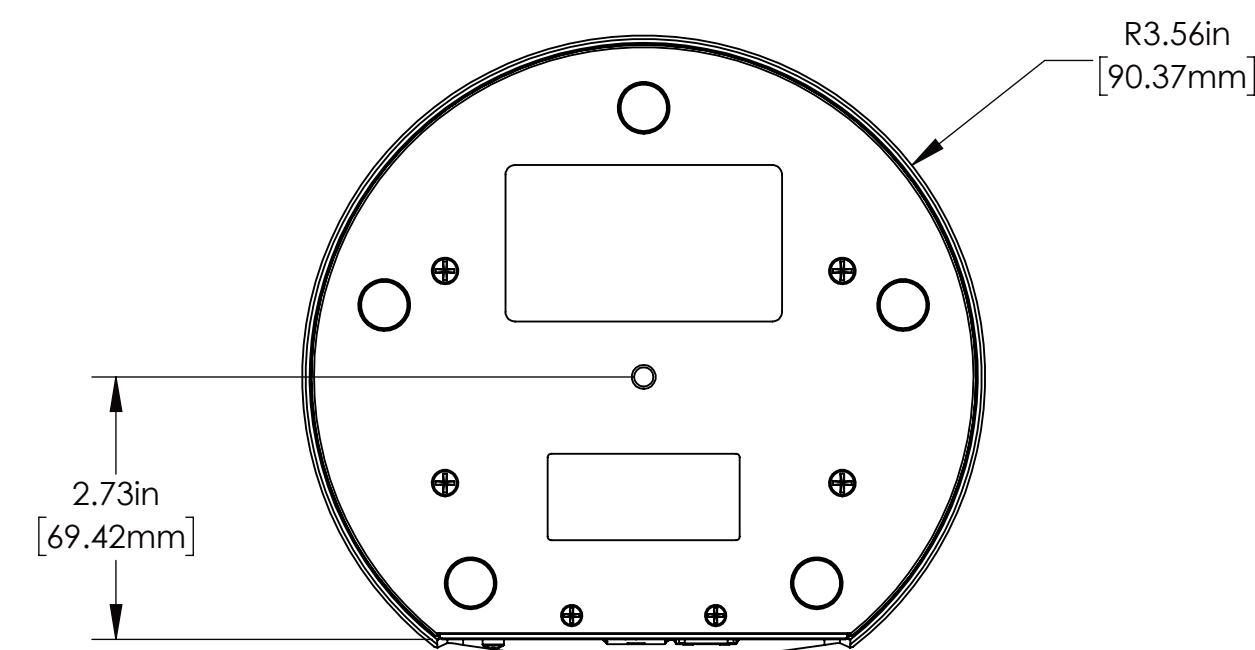
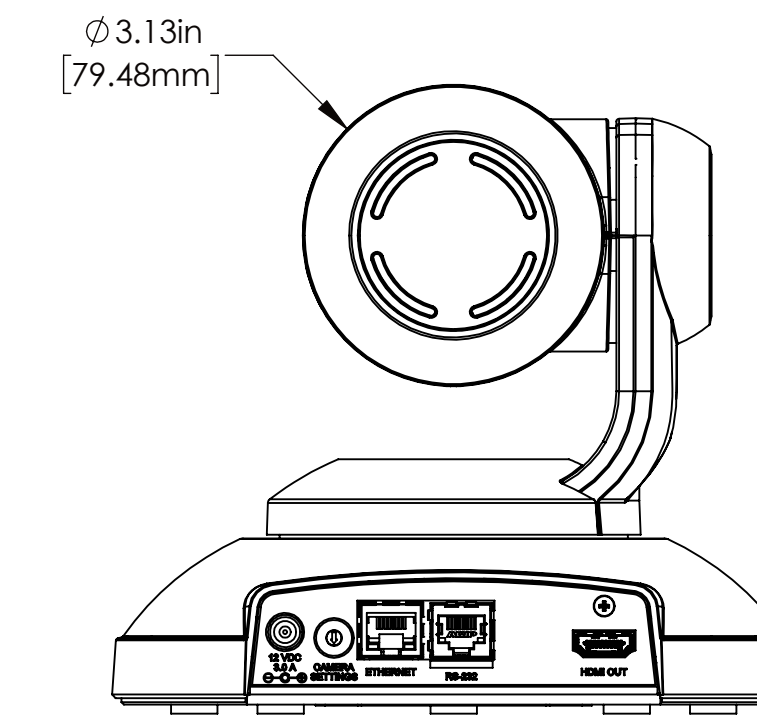
FRONT VIEW



SIDE VIEW 2



REAR VIEW



BOTTOM VIEW

DRAWING NO.
998-30410-100

UNLESS OTHERWISE NOTED:
DIMENSIONS ARE IN INCHES
DIMENSIONAL LIMITS APPLY
AFTER FINISH

MACHINED SURFACES 125
 EDGES & FILLETS R .005/.015
 FRACTIONS ± 1/32
 ANGLES ± 1°
 DEC. XX = ± .015
 XXX = ± .005
 XXXX = ± .0002

THIS DRAWING, INCLUDING ALL SUBJECT MATTERS INDICATED THEREON OR DERIVED THEREFROM, COMPRSES PROPRIETARY INFORMATION AND IS THE EXPRESS PROPERTY OF LEGRAND AV INC. EMPLOYMENT, REPRODUCTION OF OR DISSEMINATION OF THIS DRAWING, IN WHOLE OR IN PART, WITHOUT WRITTEN PERMISSION OF LEGRAND AV INC. IS STRICTLY FORBIDDEN.

VADDIO A brand of Legrand			
DRAWN WLF	CHECKED	APPROVED	DATE 7/14/23
MATERIALS VARIOUS			SIZE D
FINISH NONE			SCALE 1:2

TITLE PRIMESHOT 10 CAMERA	SHEET 1 OF 1	DRAWING NO. 998-30410-100	REV. A
------------------------------	-----------------	------------------------------	-----------