

ESPRIT ANTI-CORROSION FIXED CAMERA

2 MP

The Esprit Anti-Corrosion Fixed is a stainless steel fixed camera with exceptional resistance to corrosion, designed to guarantee efficient video security in offshore/onshore marine environments and in ports and roadways. With 40x zoom and full 1080p resolution, the Esprit Anti-Corrosion Fixed camera offers exceptional image quality while tracking objects in motion and in variable lighting conditions thanks to wide dynamic range and low light compensation. In addition, the Esprit Anti-Corrosion Fixed camera offers AISI 316L construction, with IP66/IP67/IP68/IP69 certifications, NEMA Type 4X and 6P ratings and Lloyd's Register Type Approval, among other environmental certifications, that ensure sites are protected even in wet and treacherous conditions.



FEATURES



RUGGED CONSTRUCTION

AISI 316L stainless steel offers maximum corrosion resistance.



WEATHER RESISTANT

Rated NEMA Type 4X/6P and IP66/67/68/69 for water, corrosion and dust resistance.



WIDE DYNAMIC RANGE & LOW LIGHT COMPENSATION

Offers excellent image detail in contrasting light and shadows.



HIGH-TEMPERATURE RANGE

Optimized to operate reliably even at increased temperature variances: from -40°C (-40°F) up to +65°C (+149°F).



LLOYD'S REGISTER MARINE TYPE APPROVAL

Obtained Lloyd's Register Marine Type Approval for the maritime and shipping sector.



ONVIF® COMPLIANT

ONVIF Profile G, M, S and T compliance allows for easy integration with existing ONVIF infrastructures. Integrates with Pelco VideoXpert and other leading video management systems.



RAILWAY COMPLIANCE

Complies with the standard for railway applications.



PEACE OF MIND

3-year limited warranty. 5-year extended warranty is available.

ONVIF is a trademark of Onvif, Inc.

SPECIFICATIONS

| IMAGE PERFORMANCE 2 MP | |
|-----------------------------------|--|
| Image Sensor | 1/2.8" progressive scan CMOS, 2 MP |
| Active Pixels (H x V) | 1937 (H) x 1097 (V) = 2.2M Pixels |
| Imaging Area (H x V) | 5.568 mm (H) x 3.132 mm (V); 0.219 " (H) x 0.123 " (V) |
| Minimum Illumination | 0.03 lux (F/1.6) in color mode; 0.02 lux (F/1.6) in monochrome |
| Dynamic Range | 120 dB |
| Image Rate | Up to 60 fps |
| Aspect Ratio (Resolution Scaling) | Down to (16:9) 384x216 or (5:4) 320x256 |
| 3D Noise Reduction Filter | Yes |

| LENS | | |
|---------------|---|----------------|
| Lens | 4.25 to 170 mm, F/1.6 – F/4.95, autofocus | |
| Angle of View | Horizontal | 66.35° - 1.9° |
| | Vertical | 39.99° - 1.11° |
| Zoom | Up to 40x | |

| IMAGE CONTROL | |
|--------------------------------|---|
| Video Compression | H.264 and H.265 Pelco Smart Compression, Motion JPEG |
| Streaming | Multi-stream H.264, Multi-stream H.265, Motion JPEG |
| Motion Detection | Pixel motion: Selectable sensitivity and threshold. Classified object detection |
| Electronic Shutter Control | Automatic, Manual (1/1 to 1/10,000 sec) |
| Iris Control | Automatic, Open, Closed |
| Day/Night Control | Automatic, Manual |
| Flicker Control | 60 Hz, 50 Hz |
| White Balance | Automatic, Manual |
| Backlight Compensation | On/Off |
| Privacy Zones | 3D, up to 64 zones |
| Presets | 500 named presets |
| Tours | No |
| Electronic Image Stabilization | Yes |
| Digital Defog | Adjustable/Off |

| NETWORK | |
|-----------------------------|--|
| Network | 100 BASE-TX |
| Cabling Type | CAT5e/CAT6 shielded (STP) Ethernet cable is required to fully comply with EMC regulatory standards |
| Connector | RJ-45 |
| ONVIF | ONVIF compliance Profile G, Profile M, Profile S, and Profile T (www.onvif.org) |
| Security | Password protection, HTTPS encryption, digest authentication, WS authentication, user access log, 802.1x port based authentication |
| Protocols | IPv6, IPv4, HTTP, HTTPS, SOAP, DNS, NTP, RTSP, RTCP, RTP, TCP, UDP, IGMPv2, ICMP, DHCP, Zeroconf, ARP, HSTS |
| Streaming Protocols | RTP/UDP, RTP/UDP multicast, RTP/RTSP/TCP, RTP/RTSP/HTTP/TCP, RTP/RTSP/HTTPS/TCP, HTTP |
| Device Management Protocols | SNMP v2c, SNMP v3 |

PERIPHERALS

| | |
|------------------------|----------------------------------|
| Audio Input/Output | None |
| External I/O Terminals | 2 Digital Output (optional) |
| Onboard Storage | Pre-installed 128 GBytes storage |

MECHANICAL

| | |
|--|---------------------------------|
| Camera Weight (fastening support included) | 5.1 kg; 11.2 lb |
| Extra Clear Glass Window | 3 mm thick (0.12") |
| Polycarbonate Window (optional) | 3 mm thick (0.12") |
| Construction | AISI 316L stainless steel |
| Mounting configuration | Wall, Parapet and Ceiling mount |

ELECTRICAL

| | | |
|----------------------------------|------------------|---|
| Power Consumption | 21W | |
| Power Source/Current Consumption | External Power | 24 VAC, 1.32A, 50/60 Hz 24 VDC, 0.9A |
| | PoE | PoE+ (IEEE 802.3 at) |
| Power/Signal Connector | 26 AWG to 18 AWG | |
| RTC Battery Backup | None | |

ENVIRONMENTAL

| | |
|-----------------------|---|
| Operating Temperature | From -40°C (-40°F) up to +65°C (149°F) Temperature test complies with NEMA-TS 2-2003 (R2008) par. 2.1.5.1, test profile fig. 2-1 (from -34°C (-29.2°F) to +74°C (165.2°F)) |
| Storage Temperature | -40 °C to +70 °C (-40 °F to 158 °F) |
| Humidity | 5% - 95% non-condensing |
| Cold Start | Up to 60 minute startup delay at temperature lower than -10 °C (14 °F) |

CERTIFICATIONS

| | |
|-------------------------------|---|
| Certifications/Directives | UL, cUL, CE, UKCA, ROHS, LR, RCM |
| Safety | UL 62368-1, CSA 62368-1, IEC/EN 62368-1 |
| Environmental and Performance | UL/CSA/IEC 60950-22, IEC 60529 IP66, IP67, IP68, IP69 Weather Rating, IEC 60068-2-1, IEC 60068-2-2, IEC 60068-2-6, IEC 60068-2-30, IEC 60068-2-14, NEMA TS 2 para 2.2.7 - 2.2.9, Type 4X and 6P, MIL-STD-810-H |
| Electromagnetic Emissions | FCC Part 15 Subpart B Class A, IC ICES-003 Class A, EN 55032 Class A, EN 61000-6-4, EN 61000-3-2, EN 61000-3-3, EN 50121-4 |
| Electromagnetic Immunity | EN 55035, EN 50121-4 only for 24 VDC/VAC |
| Warranty | 3-year limited warranty. 5-year extended warranty is available. |
| Railway Applications | Compliance to railway application standard: EN50121-4 (only with 24 VAC or 24 VDC power supply) |
| Marine Applications | Lloyd's Register Marine Type Approval: Test Specification Number 1 (ENV1, ENV2, ENV3, ENV5) Electromagnetic compatibility: EN60945 Environmental: EN60068-2-52, IEC 60068-2-78 Tested at 70°C (158°F) for 16 hours in compliance with EN60068-2-2 |

ANALYTICS SPECIFICATIONS

SUPPORTED ANALYTICS EVENTS*

| | |
|-------------------------------|--|
| Objects in Area | The event is triggered when the selected object type moves into the region of interest. |
| Object Loitering | The event is triggered when the selected object type moves into the region of interest, then stays for an extended amount of time. |
| Objects Crossing Beam | The event is triggered when the specified number of objects have crossed the directional beam that is configured over the camera's field of view. The beam can be unidirectional or bidirectional. |
| Object Appears or Enters Area | The event is triggered by each object that enters the region of interest and can also be used to count objects. |
| Object Not Present in Area | The event is triggered when no objects are present in the region of interest. |
| Objects Enter Area | The event is triggered when the specified number of objects have entered the region of interest. |
| Objects Leave Area | The event is triggered when the specified number of objects have left the region of interest. |
| Object Stops in Area | The event is triggered when an object moves into a region of interest and then stops moving for the specified threshold time. |
| Direction Violated | The event is triggered when an object moves in the prohibited direction of travel. |
| Sabotage Detection | The event is triggered when the scene unexpectedly changes. |

*Pelco Smart Analytics powered by Motorola Solutions.

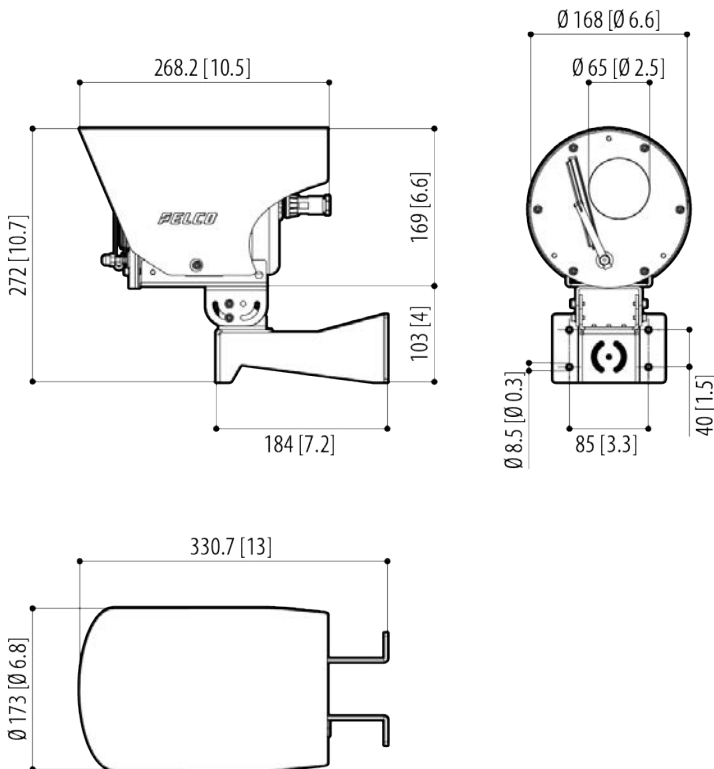
OUTLINE DIMENSIONS

ESPRIT AC ENH1 2MPX40 FIXED

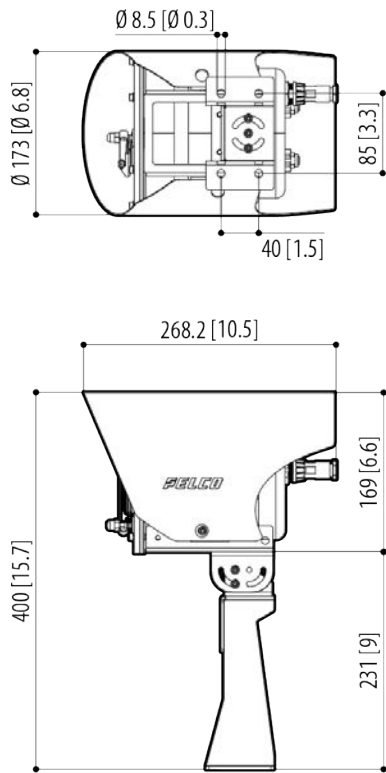
(ESPRIT ANTI-CORROSION ENHANCED 1 SERIES, 2MP 40X ZOOM, FIXED BULLET, 24V/POE+)

| | |
|-------|--------|
| [X.X] | INCHES |
| X | MM |

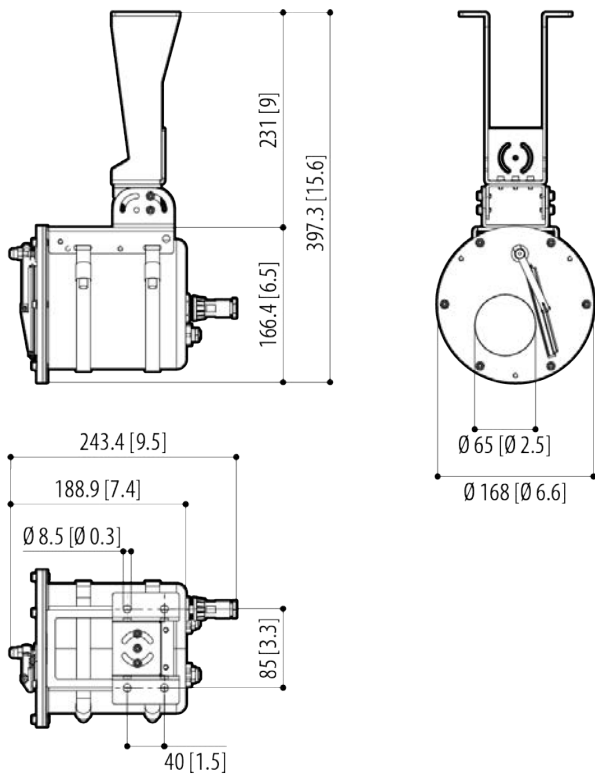
WALL MOUNT



PARAPET MOUNT



CEILING MOUNT



ORDERING INFORMATION

ESPRIT ANTI-CORROSION FIXED CAMERA

| DISPLAY PART NUMBER | EXTRA CLEAR GLASS WINDOW | POLYCARBONATE WINDOW | WIPER | 2 DIGITAL OUTPUTS |
|---------------------|--------------------------|----------------------|-------|-------------------|
| ESSE1-2X40-SBT-PAP | | ✓ | | |
| ESSE1-2X40-SBT-PA | ✓ | | | |
| ESSE1-2X40-SBT-PAW | ✓ | | ✓ | ✓ |

ESPRIT ANTI-CORROSION FIXED ACCESSORIES

| ACCESSORY | DESCRIPTION |
|---------------------|---|
| PEC-UEAP | Pole adaptor, stainless steel AISI 316L |
| PEC-UEAC | Corner adaptor, SS AISI 316L |
| PEC-UEAW | Counter-plate, stainless steel AISI 316L |
| PEC-WASPT0V5L5M00 | Washer 5l, 5m, 230VAC-24VAC-120VAC |
| PEC-WASPT0V23L11M00 | Washer 23l, 11m, 230Vac-24VAC-120VAC |
| PEC-WASPT1V23L30M00 | Washer 23l, 30m, water float, 230VAC |
| PEC-WASPT3V23L30M00 | Washer 23l, 30m, water float, 120VAC |
| PEC-COMB100A | Comm. box, w PS & Switch, 220-230VAC |
| PEC-COMB200A | Comm. box, w PS & Switch, 24VAC |
| PEC-COMB300A | Comm. box, w PS & Switch, 120-127VAC |
| NVXTUB | Dust protection frontal shield |
| WASN1V10L20M00 | Tank 10l (2.6gal) with integrated manual pump, controlled by solenoid valve, IN 230 Vac, delivery head up to 30m (98ft), with 20m (66ft) antistatic water delivery pipe |
| WASN2V10L20M00 | Tank 10l (2.6gal) with integrated manual pump, controlled by solenoid valve, IN 24 Vac, delivery head up to 30m (98ft), with 20m (66ft) antistatic water delivery pipe |
| WASN3V10L20M00 | Tank 10l (2.6gal) with integrated manual pump, controlled by solenoid valve, IN 120 Vac, delivery head up to 30m (98ft), with 20m (66ft) antistatic water delivery pipe |

SUPPORT

Learn more and find additional documentation at pelco.com or email support@pelco.com for specific product support.



Feb 2023 | C5067S | Rev 1

© 2023, Motorola Solutions, Inc. All rights reserved. MOTOROLA, MOTO, MOTOROLA SOLUTIONS, and the Stylized M Logo are trademarks or registered trademarks of Motorola Trademark Holdings, LLC and are used under license. Pelco, the Pelco logo, and other trademarks associated with Pelco products referred to in this publication are trademarks of Pelco, Inc. or its affiliates. All other product names and services are the property of their respective companies. Product specifications and availability are subject to change without notice.