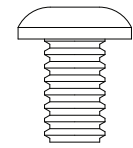


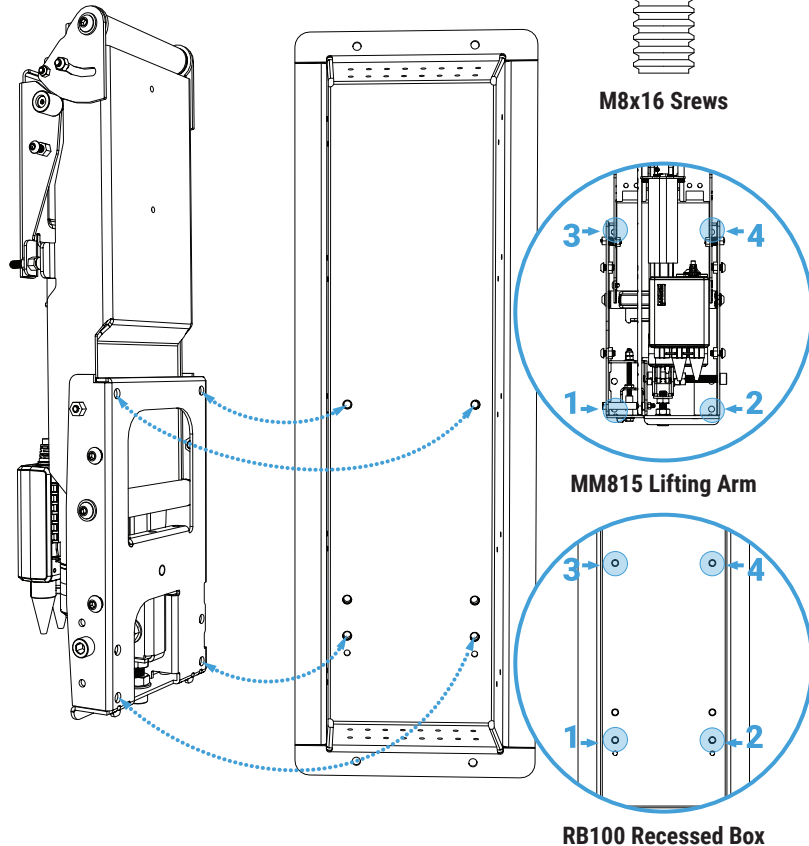
STEP 1

Insert MM815 Lifting arm into the RB100 Recessed box making sure to align the screw holes on the lifting arm to the screw holes on the RB100 as indicated.

NOTE: This process will require the use of four {14} M8x16 screws from your mount parts package.



M8x16 Screws

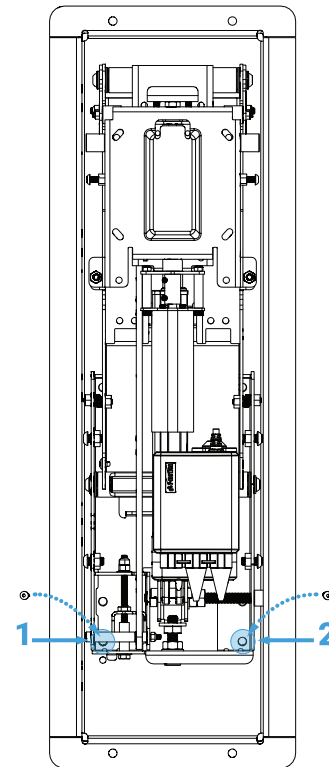


MM815 Lifting Arm

RB100 Recessed Box

STEP 2

Once all 4 holes are aligned, insert M8x16 screws into holes 1 and 2 and tighten them using allen wrench.



STEP 3

Connect MM815 lifting arm to power supply and use remote to lower lifting arm to expose holes 3 and 4.

Gently push lifting arm up and back to secure wall bracket to back of RB100.

Insert M8x16 screws into holes 3 and 4 and tighten using allen wrench. Tighten all four screws then continue with the next step of the installation.

