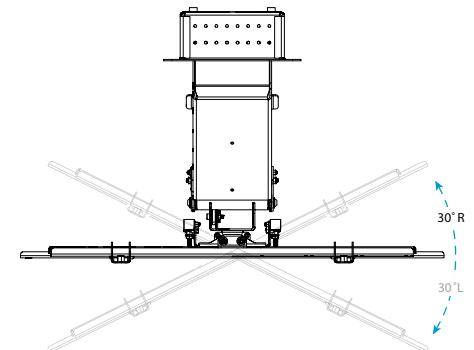
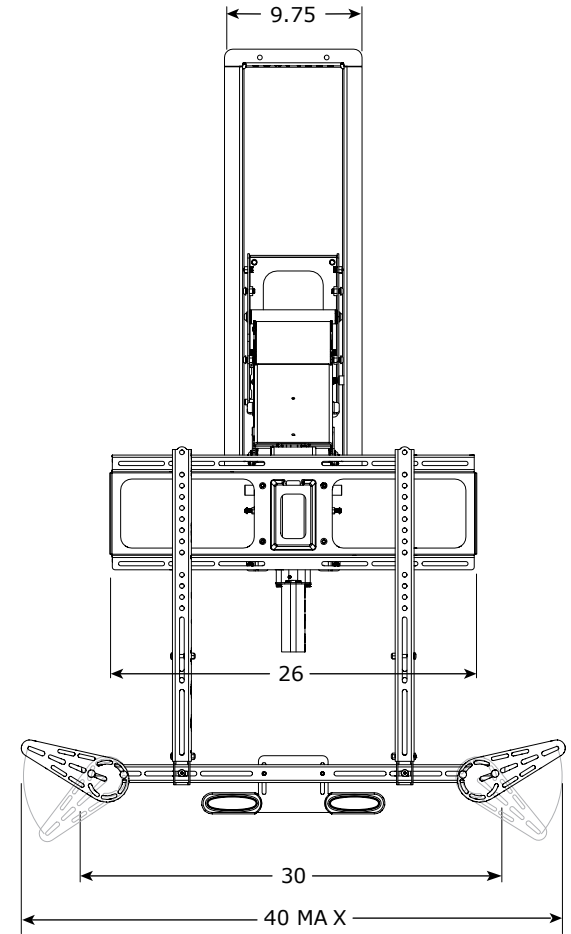
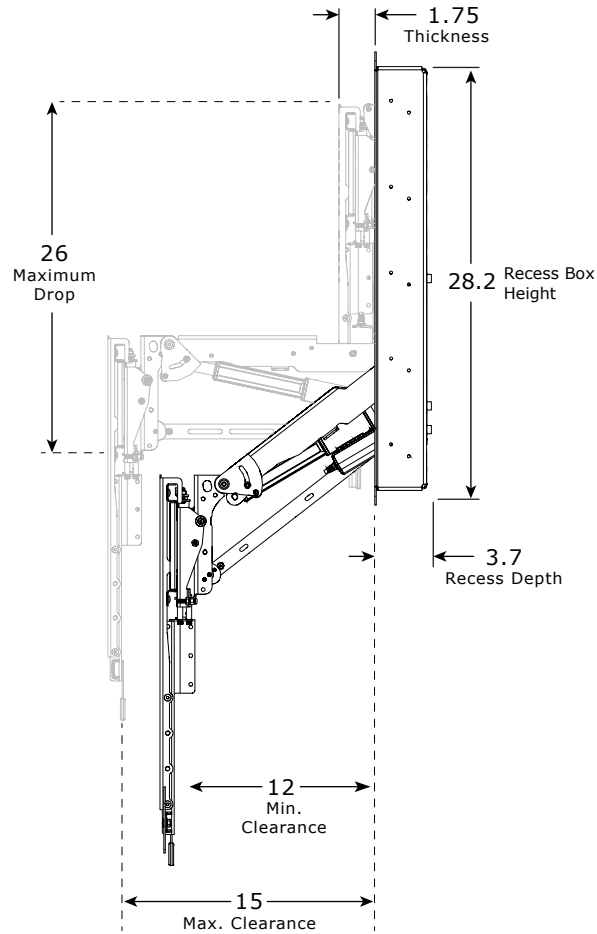
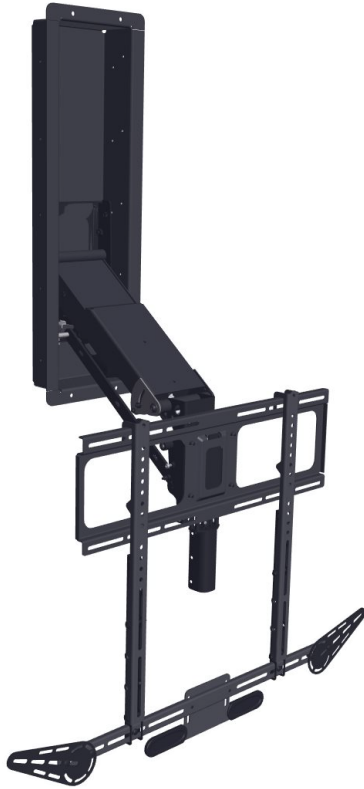




MantelMount



MantelMount MM815 Motorized Drop Down TV Mount with RB100 Recess Box

TV Weight Capacity: 20-115 pounds
TV Size: 45" - 90" diag.
Maximum Lowering Distance: 26"
Vertical in all positions.
Thickness from Wall: 1.75"
Max Mantel Clearance 13
Weight: (MM815) 43lb
Weight: (RB100) 15lb

Package Dimensions: (MM815) 39" x 16" x 6.3"
Swivel: 30° Left and 30° Right
Steel Thickness: 3mm
VESA Pattern: Up to 600mm x 600mm
ADDL Features: Wall Brace Covers, Horizontal Sound Bar Adapter, Optional Visual Heat Sensor, Swivel Motor Clutch, 2 Memory Positions, Automatic Movement, Polymer Bushings, Travel Stops in all directions

MM815 Dimensions Diagram with RB100 04-24