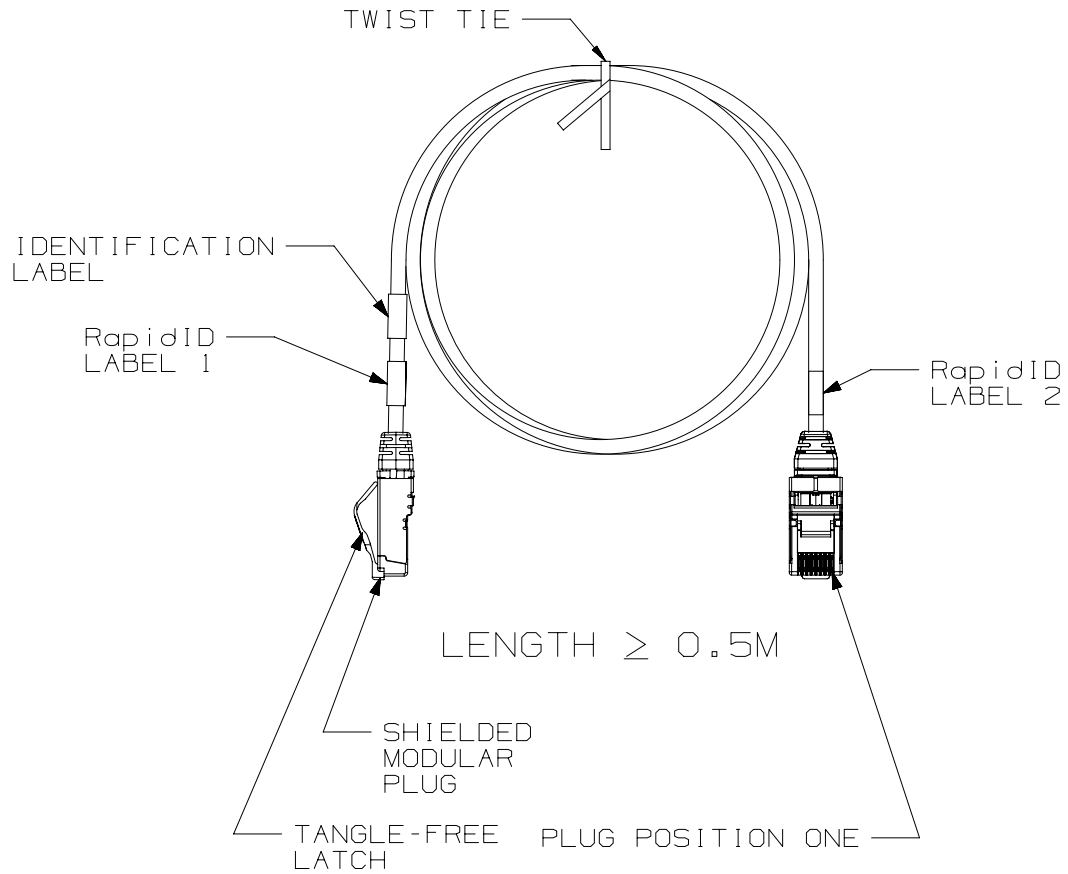


THIS COPY IS PROVIDED ON A RESTRICTED BASIS AND IS NOT TO BE USED IN ANY WAY DETRIMENTAL TO THE INTERESTS OF PANDUIT CORP.



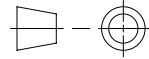
- NOTES:
1. CATEGORY 6A SHIELDED 28AWG PATCH CORDS
 2. c(UL)us LISTED, FILE NUMBER E129886
 3. TERMINATED WITH (8 POSITION) MODULAR PLUGS AT BOTH ENDS PER T568B. (SEE TABLE 1)
 4. CONSTRUCTED WITH 28AWG SOLID CONDUCTOR CATEGORY 6A F/UTP HALOGEN FREE (CM/LSZH) PATCH CABLE.
 5. MATERIALS:
PLUG: POLYCARBONATE
CONTACTS: GOLD PLATED PHOSPHOR BRONZE
 6. NOMINAL CABLE DIAMETER IS 0.185 IN (4.7MM).
 7. ALL MATERIALS AND COMPONENTS USED MUST MEET THE MATERIAL RESTRICTIONS OF RoHS (EUROPEAN DIRECTIVE 2011/65/EU ON THE RESTRICTION OF HAZARDOUS SUBSTANCES) AS PROPOSED BY THE RoHS TECHNICAL ADAPTATION COMMITTEE.
 8. 100% FACTORY TESTED FOR CATEGORY 6A PATCH CORD PERFORMANCE.
 9. USE 28AWG CAT6A JACK (CJST6X88TG**) FOR FIELD TERMINATION.
 10. (AA)=FINAL PATCH CORD ASSEMBLY LENGTH REQUIREMENT
(Y)=PATCH CORDS ASSEMBLY LENGTH CODES, NO SUFFIX=FT, IN=INCHES, M= METERS (SEE TABLE 3, PAGE 2)
(**)=COLOR OF CABLE JACKET (SEE TABLE 2)

CABLE COLORS	** = COLOR
OFF WHITE	--
BLACK	BL
BLUE	BU
RED	RD
YELLOW	YL
GREEN	GR
ORANGE	OR
VIOLET	VL
GREY	GY
PINK	PK
PASTEL BLUE	PB

PLUG POSITION	CABLE CONDUCTOR COLOR
1	WHITE-ORANGE
2	ORANGE
3	WHITE-GREEN
4	BLUE
5	WHITE-BLUE
6	GREEN
7	WHITE-BROWN
8	BROWN

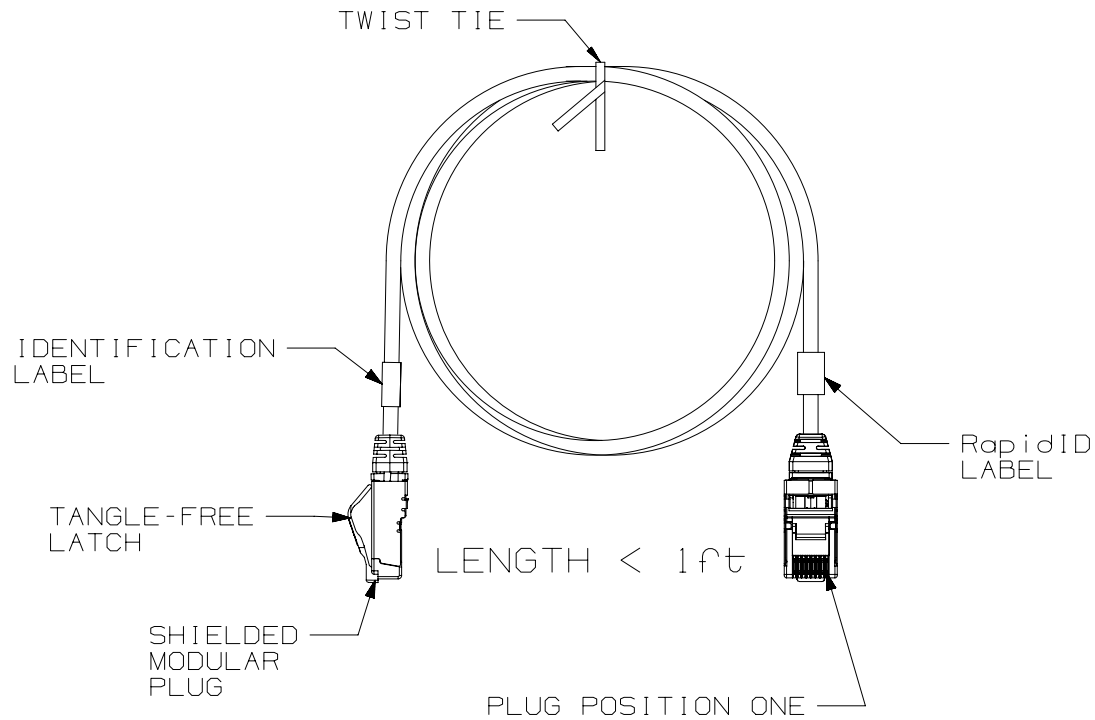
PART NUMBER		STP28XAA Y** (SEE NOTE 10)	
TITLE			
CATEGORY 6A SHIELDED 28AWG COPPER PATCH CORDS			
CUSTOMER DRAWING			
ITEM REVISION NAME		13M465AF/09	
DATASET FILE NAME		13M465AF_DC02/09A	
MATERIAL		SEE NOTE 5	
DRAWING NUMBER		13M465AF-02	
DRAWN BY		BJN	
DATE		11-24-14	
CHK		DCS	
SCALE		NONE	
SHEET 1 OF 3		A	

REV	DATE	BY	CHK	APR	DESCRIPTION	ECN
09A	1-25-22	BJN	REFR	RWI	ADDED RapidID LABEL ON SH2 2 OF 3	13M465AF-02
08A	5-21-21	BJN	REFR	RWI	REVISED & REDRAWN PREVIOUS REVISIONS RMVD FOR CLARITY	13M465AF-02



A-SIZE CUSTOMER

THIS COPY IS PROVIDED ON A RESTRICTED BASIS AND IS NOT TO BE USED IN ANY WAY DETRIMENTAL TO THE INTERESTS OF PANDUIT CORP.



PART NUMBER		STP28XAA* (SEE NOTE 10)	
TITLE		CATEGORY 6A SHIELDED 28AWG COPPER PATCH CORDS	
ITEM REVISION NAME		CUSTOMER DRAWING	
DATASET FILE NAME		13M465AF/09	
		13M465AF_DC02/09A	
MATERIAL		SEE NOTE 5	
DRAWING NUMBER		13M465AF-02	
DRAWN BY		BJN	
DATE		11-24-14	
CHK		DCS	
SCALE		NONE	
SHEET 2 OF 3		A	

REV	DATE	BY	CHK	APR	DESCRIPTION	ECN
09A	1-25-22	BJN	REFR	RWI	SEE SHEET 1 FOR REVISION HISTORY	13M465AF-02
08A	5-21-21	BJN	REFR	RWI	SEE SHEET 1 FOR REVISION HISTORY	13M465AF-02



A-SIZE CUSTOMER

2

1

2

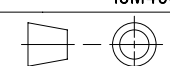
1

THIS COPY IS PROVIDED ON A RESTRICTED BASIS AND IS NOT TO BE USED IN ANY WAY DETRIMENTAL TO THE INTERESTS OF PANDUIT CORP.

PANDUIT P/N	MIN. ASSY LENGTH
STP28X0.2M**	0.2 METER
STP28X0.5M**	0.5 METER
STP28X1M**	1 METER
STP28X1.5M**	1.5 METER
STP28X2M**	2 METER
STP28X2.5M**	2.5 METER
STP28X3M**	3 METER
STP28X3.5M**	3.5 METER
STP28X4M**	4 METER
STP28X4.5M**	4.5 METER
STP28X5M**	5 METER
STP28X5.5M**	5.5 METER
STP28X6M**	6 METER
STP28X6.5M**	6.5 METER
STP28X7M**	7 METER
STP28X7.5M**	7.5 METER
STP28X8M**	8 METER
STP28X8.5M**	8.5 METER

PANDUIT P/N	MIN. ASSY LENGTH
STP28X9M**	9 METER
STP28X9.5M**	9.5 METER
STP28X10M**	10 METER
STP28X11M**	11 METER
STP28X12M**	12 METER
STP28X13M**	13 METER
STP28X14M**	14 METER
STP28X15M**	15 METER
STP28X16M**	16 METER
STP28X17M**	17 METER
STP28X18M**	18 METER
STP28X19M**	19 METER
STP28X20M**	20 METER
STP28X25M**	25 METER
STP28X30M**	30 METER
STP28X35M**	35 METER
STP28X40M**	40 METER

TABLE 3: CATEGORY 6A STP 28AWG PATCH CORDS AVAILABLE LENGTHS
INCH (IN)
FEET (NO SUFFIX)
METER (M)

PART NUMBER		SPT28XAAAY** (SEE NOTE 10)	
TITLE			
CATEGORY 6A SHIELDED 28AWG COPPER PATCH CORDS			
CUSTOMER DRAWING			
ITEM REVISION NAME		13M465AF/09	
DATASET FILE NAME		13M465AF_DC02/09A	
		THIRD ANGLE PROJECTION	
MATERIAL		SEE NOTE 5	
DRAWING NUMBER		13M465AF-02	
DRAWN BY	DATE	CHK	SCALE
BJN	11-24-14	DCS	NONE
SHEET 3 OF 3			SIZE A

REV	DATE	BY	CHK	APR	DESCRIPTION	ECN
09A	1-25-22	BJN	REFR	RWI	SEE SHEET 1 FOR REVISION HISTORY	13M465AF-02
08A	5-21-21	BJN	REFR	RWI	SEE SHEET 1 FOR REVISION HISTORY	13M465AF-02

B

B

A

A

A-SIZE CUSTOMER