

# MEGApix® 2.1MP/1080p 30X PTZ IP camera DWC-MPTZ230XTW



## ***User's Manual*** Ver. 10/21

Before installing and using the camera, please read this manual carefully.  
Be sure to keep it handy for future reference.

# Safety Information



## CAUTION

RISK OF ELECTRIC SHOCK.  
DO NOT OPEN.



## CAUTION :

TO REDUCE THE RISK OF ELECTRIC SHOCK, DO NOT REMOVE COVER (OR BACK) NO USER SERVICEABLE PARTS INSIDE.

REFER SERVICING TO QUALIFIED SERVICE PERSONNEL.



### Warning

This symbol indicates that dangerous voltage consisting of a risk of electric shock is present within this unit.



### Precaution

This exclamation point symbol is intended to alert the user to the presence of important operating and maintenance (servicing) instructions in the literature accompanying the appliance.

## WARNING

To prevent damage that may result in fire or electric shock hazards, do not expose this appliance to rain or moisture.

## WARNING

1. Be sure to use only the standard adapter that is specified in the specification sheet. Using any other adapter could cause fire, electrical shock, or damage to the product.
2. Incorrectly connecting the power supply or replacing the battery may cause an explosion, fire, electric shock, or damage to the product.
3. Do not connect multiple cameras to a single adapter. Exceeding the capacity may cause excessive heat generation or fire.
4. Securely plug the power cord into the power receptacle. An insecure connection may cause fire.
5. When installing the camera, fasten it securely and firmly. A falling camera may cause personal injury.
6. Do not place conductive objects (e.g. screwdrivers, coins, metal items, etc.) or containers filled with water on top of the camera. Doing so may cause personal injury due to fire, electric shock, or falling objects.
7. Do not install the unit in humid, dusty, or sooty locations. Doing so may cause fire or electric shock.
8. If any unusual smells or smoke come from the unit, stop using the product. Immediately disconnect the power source and contact the service center. Continued use in such a condition may cause fire or electric shock.
9. If this product fails to operate normally, contact the nearest service center. Never disassemble or modify this product in any way.
10. When cleaning, do not spray water directly onto parts of the product. Doing so may cause fire or electric shock.

## Precaution

### Operating

- Before using, make sure the power supply and all other parts are properly connected.
- While operating, if any abnormal condition or malfunction is observed, stop using the camera immediately and contact your dealer.

### Handling

- Do not disassemble or tamper with parts inside the camera.
- Do not drop the camera or subject it to shock or vibration as this can damage the camera.
- Clean the clear dome cover with extra care. Scratches and dust can ruin the quality of the camera image.

### Installation and Storage

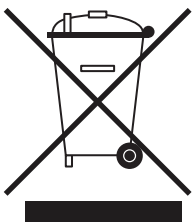
- Do not install the camera in areas of extreme temperature, exceeding the allowed range.
- Avoid installing in humid or dusty environments.
- Avoid installing in places where radiation is present.
- Avoid installing in places where there are strong magnetic fields and electric signals.
- Avoid installing in places where the camera would be subject to strong vibrations.
- Never expose the camera to rain or water.

# Important Safety Instructions

- 1. Read these Instructions.** - All these safety and operating instructions should be read before the product is installed or operated.
- 2. Keep these Instructions.** - The safety, operating and use instructions should be retained for future reference.
- 3. Heed all warnings.** - All warnings on the product and in the operating instructions should be adhered to.
- 4. Follow all instructions.** - All operating and use instructions should be followed.
- 5. Do not use this device near water.** - For example: near a bathtub, washbowl, kitchen sink, laundry tub, in a wet basement; near a swimming pool; etc.
- 6. Clean only with a dry cloth.** - Unplug this product from the wall outlet before cleaning. Do not use liquid cleaners.
- 7. Do not block any ventilation openings. Install following the manufacturer's instructions.** - Slots and openings in the cabinet are provided for ventilation, to ensure reliable operation of the product and to protect it from overheating. The openings should never be blocked by placing the product on a bed, sofa, rug, or other similar surfaces. This product should not be placed in a built-in installation such as a bookcase or rack unless proper ventilation is provided and the manufacturer's instructions have been adhered to.
- 8. Do not install near any heat sources such as radiators, heat registers, or other apparatus (including amplifiers) that produce heat.**
- 9. Do not defeat the safety purpose of the polarized or grounding-type plug. A polarized plug has two blades with one wider than the other. A grounding-type plug has two blades and a third grounding prong. The wide blade or the third prong is provided for your safety. If the provided plug does not fit into your outlet, consult an electrician for the replacement of the obsolete outlet.**
- 10. Protect the power cord from being walked on or pinched particularly at plugs, convenience receptacles and the point where they exit from the apparatus.**
- 11. Only use attachments/accessories specified by the manufacturer.**
- 12. Use only with cart, stand, tripod, bracket, or table specified by the manufacturer, or sold with the apparatus. When a cart is used, use caution when moving the cart/apparatus combination to avoid injury from tip-over.**
- 13. Unplug this apparatus during lightning storms or when unused for long periods.**
- 14. Refer all servicing to qualified service personnel. Servicing is required when the apparatus has been damaged in any way, such as power supply cord or plug is damaged, liquid has been spilled or objects have fallen into the apparatus, the apparatus has been exposed to rain or moisture, does not operate normally, or has been dropped.**



## Disposal of Old Appliances



1. When this crossed-out wheel bin symbol is attached to a product it means the product is covered by the European Directive 2002/96/EC.
2. All electrical and electronic products should be disposed of separately from the municipal waste stream per laws designated by the government or the local authorities.
3. The correct disposal of your old appliance will help prevent potential negative consequences for the environment and human health.
4. For more detailed information about disposal of your old appliance, please contact your city office, waste disposal service, or the shop where you purchased the product.



This equipment has been tested and found to comply with the limits for a Class A digital device, pursuant to part 15 of the FCC Rules. These limits are designed to provide reasonable protection against harmful interference when the equipment is operated in a commercial environment.

This equipment generates, uses and can radiate radio frequency energy and, if not installed and used in accordance with the instruction manual, may cause harmful interference to radio communications. Operation of this equipment in a residential area is likely to cause harmful interference in which case the user will be required to correct the interference at his own expense.

# Table of Contents

---

## Introduction

Product and accessories.....	4
Parts identification.....	5

## Installation

Disassemble the camera.....	6
Factory reset.....	6
Installation.....	7
Cabling.....	12
Managing the SD card.....	14

## Network Setup

DW IP finder.....	15
-------------------	----

## Web Viewer

Login to the camera.....	16
GUI overview.....	17

## Camera Settings

Settings > Video and audio setup.....	19
Settings > Camera setup > Image adjustment.....	27
Settings > Camera setup > Exposure settings.....	28
Settings > Camera setup > Day and night settings.....	29
Settings > Camera setup > Backlight settings.....	30
Settings > Camera setup > White Balance settings.....	31
Settings > Camera setup > Image enhancement settings.....	32
Settings > Camera setup > Video enhancement.....	33
Settings > Network setup.....	34
Settings > Trigger action setup.....	45
Settings > Event setup.....	49
Settings > Record setup.....	54
Settings > Security setup.....	60
Settings > PTZ setup.....	67
Settings > System setup > System information.....	68
Settings > System setup > Configuration backup.....	70
Settings > System setup > Firmware.....	71
Settings > System setup > Date and time.....	72
Settings > System setup > DST.....	73
Settings > System setup > Users.....	74
Settings > System setup > System log.....	75
Settings > System setup > Factory reset.....	76
Settings > System setup > Restart.....	77
Settings > System setup > System open-source license.....	78

<b>Network setup guides.....</b>	<b>79</b>
----------------------------------	-----------

<b>FAQs.....</b>	<b>86</b>
------------------	-----------

<b>Dimensions.....</b>	<b>87</b>
------------------------	-----------

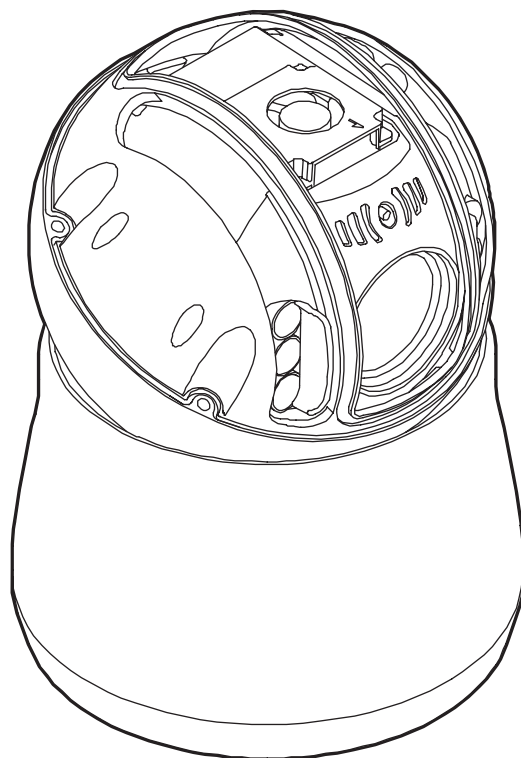
<b>Specifications.....</b>	<b>88</b>
----------------------------	-----------

<b>Warranty.....</b>	<b>89</b>
----------------------	-----------

<b>Limits and exclusions.....</b>	<b>90</b>
-----------------------------------	-----------

# Introduction - Product & Accessories

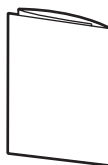
---



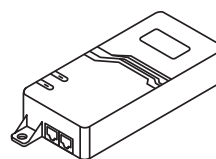
Camera



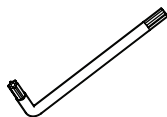
Desi-Pack  
(Moisture Absorber)



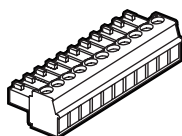
Quick Manual



PoE Injector



Star Wrench



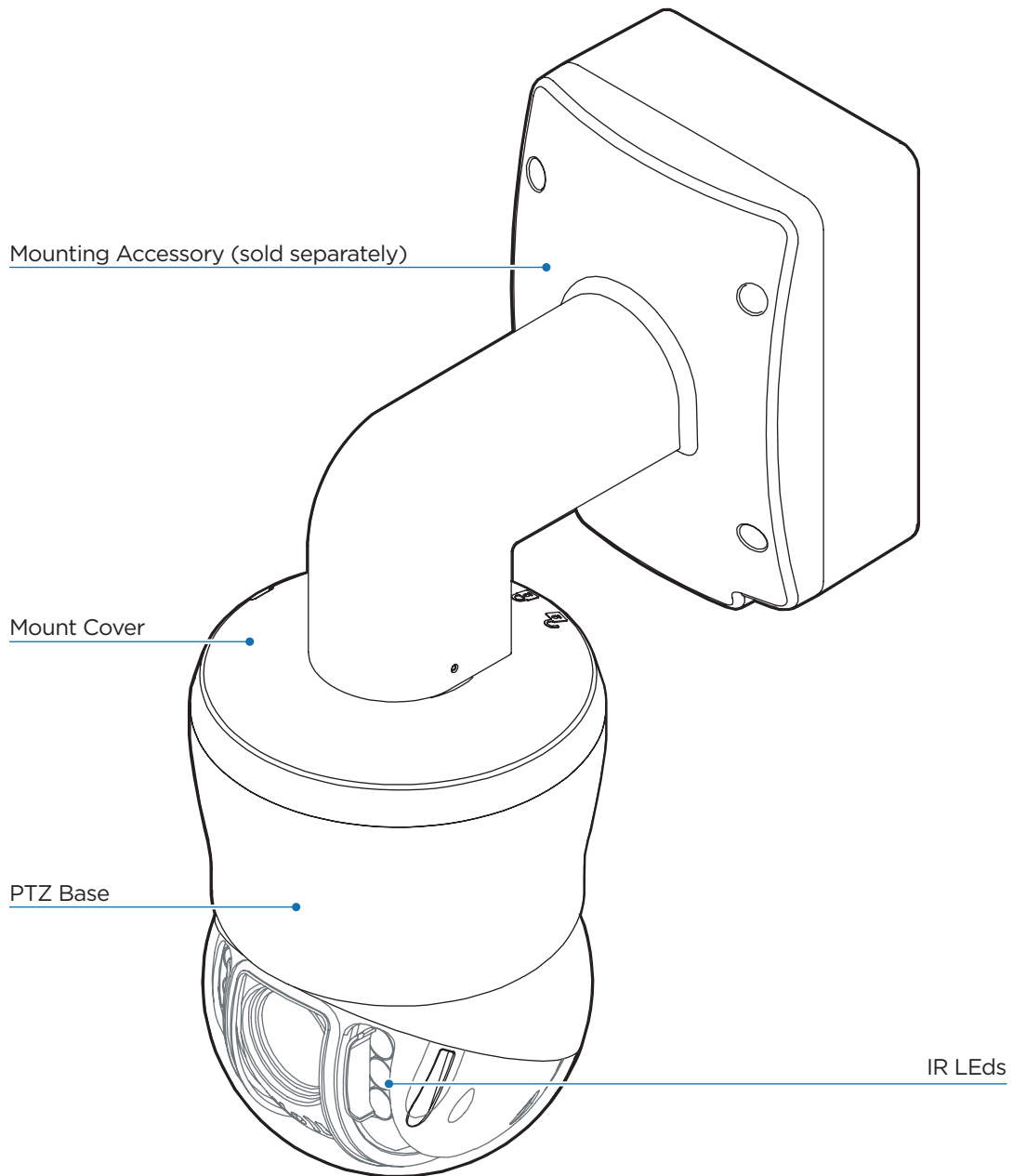
Terminal Block



Absorber Guide

# Introduction - Part Name

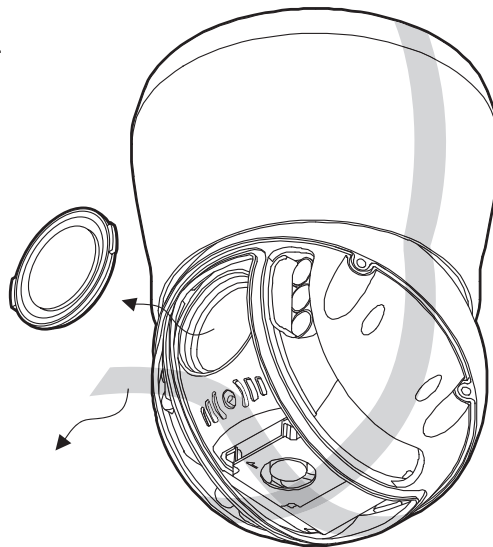
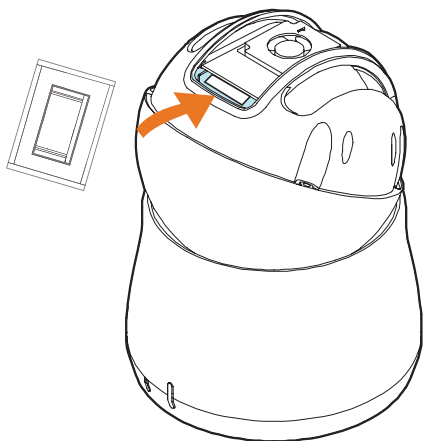
---



# Installation - Disassemble the camera

## Before installing your camera, you have to read the following cautions.

1. The mounting surface must bear five times the weight of your camera.
2. Do not let the cables get caught in improper places or the electric line cover be damaged. This may cause a breakdown or fire.
3. Before the installation, remove the lens protection cap and tape.
4. Install the moisture packet in the base of the camera module.
  - a. Remove the moisture absorber from the packaging.
  - b. Place the moisture absorber under the camera's lens module as shown in the picture below.

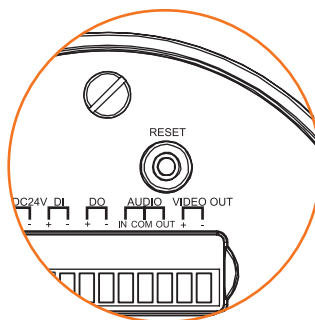


**NOTE:** The camera will generate enough heat to dry moisture during operation. In most cases it will not need the moisture absorber for more than the first day. In cases where the camera can experience a moisture issue, users must keep the moisture absorber in the camera. The moisture absorber has an approximately 6-month life cycle, varying depending on the environment.

**WARNING:** It is highly recommended that you install the moisture absorber when mounting the camera. The moisture absorber prevents moisture from being captured inside the camera's housing, which may cause image performance issues and damage the camera.

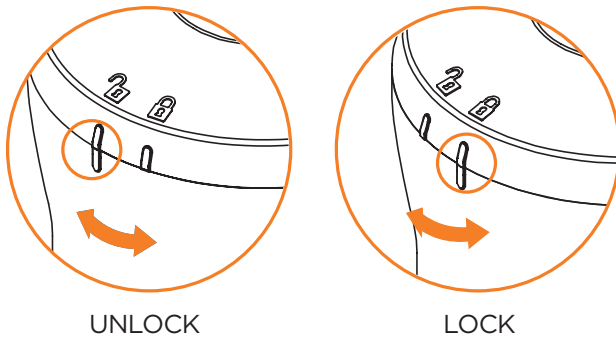
5. The camera requires a mounting accessory, sold separately, to complete the installation. Using the accessory's mounting template, mark and drill the necessary holes in the mounting surface.

⚠ **Resetting the camera:** To reset the camera, press the reset button in the control board at the base of the camera. Pressing the button for five (5) seconds will initiate a camera-wide reset of all the settings, including the network settings.

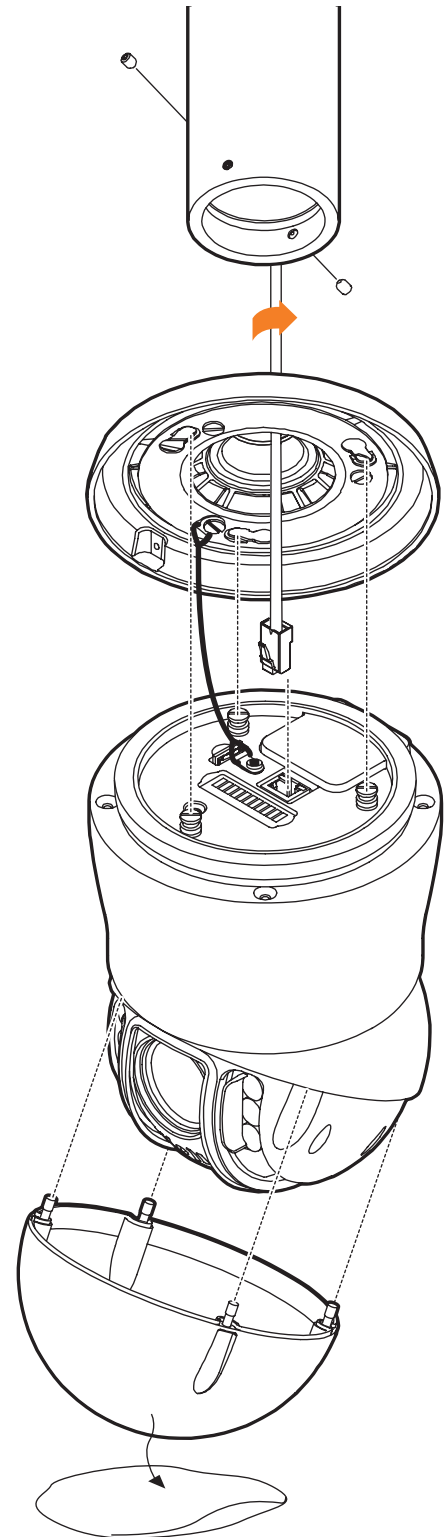


# Installation - Installation

1. Install the mounting accessory (sold separately) to the mounting surface according to the installation guide. See the next pages for mounting accessories installation instructions.
2. Pass wires through the mounting bracket.
3. Connect the camera's base into the mounting accessory's neck, and secure using the screws on the side of the mounting accessory neck.
4. Open the camera's base by rotating the base clockwise to the unlock position. Make sure the camera's safety wire is connected between the camera base and the camera module.



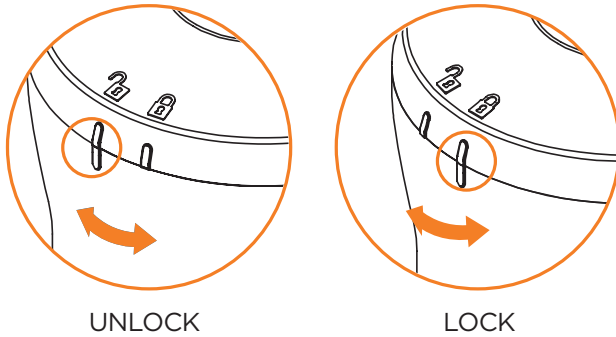
5. Connect all wires to the camera. See STEP 2 and STEP 4 for more information.
6. Attach the camera's body to the base and mounting accessory by rotating the base counter-clockwise to the lock position.
7. Place the dome on the camera module by securing the screws at the base of the dome.
8. Remove the protection film when the installation is complete.





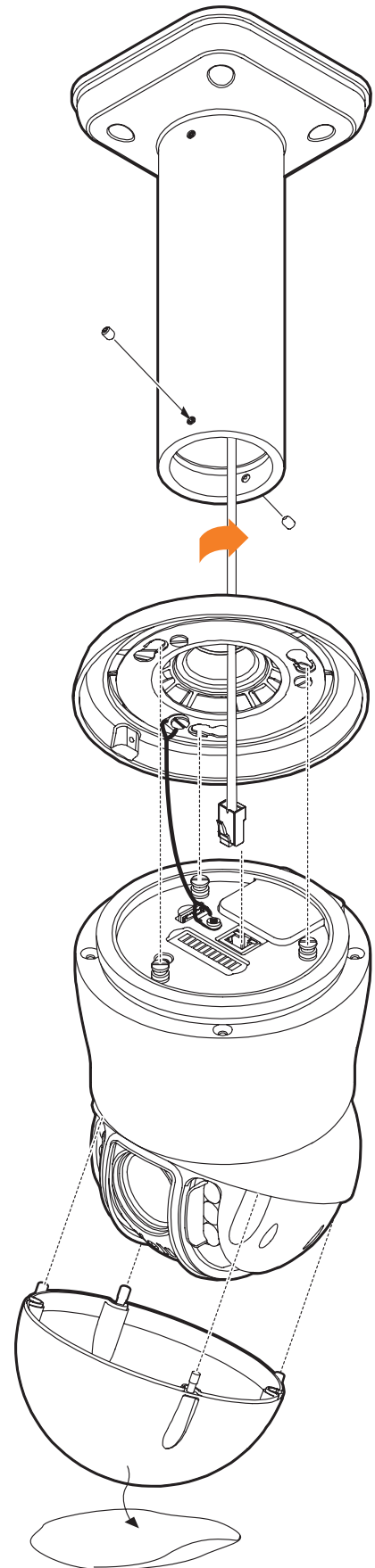
# Installation - Installation - ceiling mount bracket

1. Using the mounting template or the accessory itself, mark and drill the necessary holes in the mounting surface.
2. Use the included screws and anchors to secure the ceiling mount to the mounting surface.
3. Pass wires through the mounting bracket.
4. Connect the camera's base into the ceiling mount's neck, and secure using the screws on the side of the neck.
5. Open the camera's base by rotating the base clockwise to the unlock position. Make sure the camera's safety wire is connected between the camera base and the camera module.



6. Connect all wires to the camera. Please refer to the camera's QSG for cable management.
7. Attach the camera's body to the base by rotating the base counter-clockwise to the lock position.
8. Place and secure the camera dome cover using the screws at the base of the dome.
9. Remove the protection film when the installation is complete.

**NOTE:** See the QSG for the mounting accessory for more information.

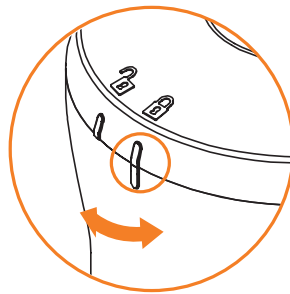


# Installation - Installation - wall mount bracket

1. Using the mounting template or the accessory itself, mark and drill the necessary holes in the mounting surface.
2. Use the included screws and anchors to secure the wall mount to the mounting surface.
3. Pass wires through the mounting bracket. Use the star wrench to open the compartment between the wall mount and junction box.
4. Connect the camera's base into the wall mount's neck, and secure using the screws on the side of the neck. Use the hexagonal wrench to secure the screws in place.
5. Open the camera's base by rotating the base clockwise to the unlock position. Make sure the camera's safety wire is connected between the camera base and the camera module.

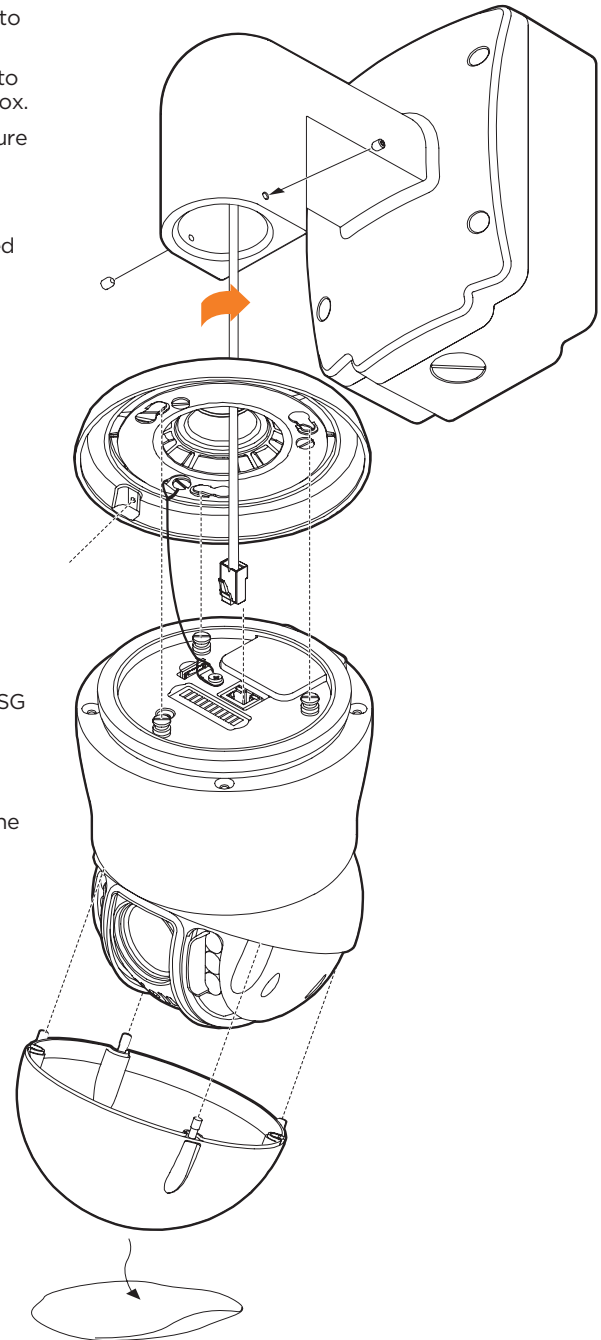


UNLOCK



LOCK

6. Connect all wires to the camera. Please refer to the camera's QSG for cable management.
7. Attach the camera's body to the base by rotating the base counter-clockwise to the lock position.
8. Place and secure the camera dome cover using the screws at the base of the dome.
9. Remove the protection film when the installation is complete.



**NOTE:** See the QSG for the mounting accessory for more information.

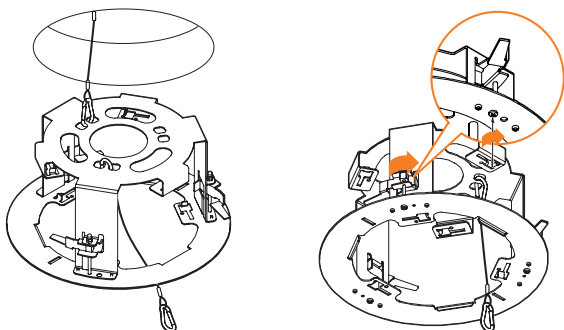
# Installation - Installation - flush mount

## PREPARE THE FLUSH MOUNT FOR INSTALLATION

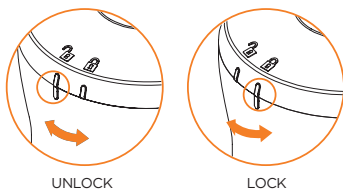
1. Detach the magnetic cover from the mount base.
2. Remove the three (3) screws to disconnect the mounting plate from the mounting base.
  - ⚠ When using the flush mount, the camera cannot be tilted more than 20°

## INSTALLATION

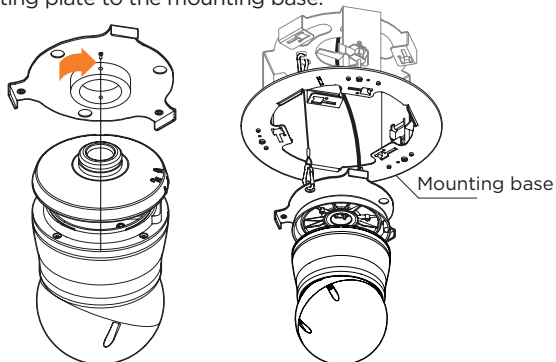
1. Using the mounting template mark and drill the necessary holes in the mounting surface.
2. Connect the first safety wire between the flush mount's base and the mounting surface.
3. Adjust the 3-point in-ceiling wing using a screwdriver. Twist the screws to tighten and expand until the flush mount is secured to the mounting surface.



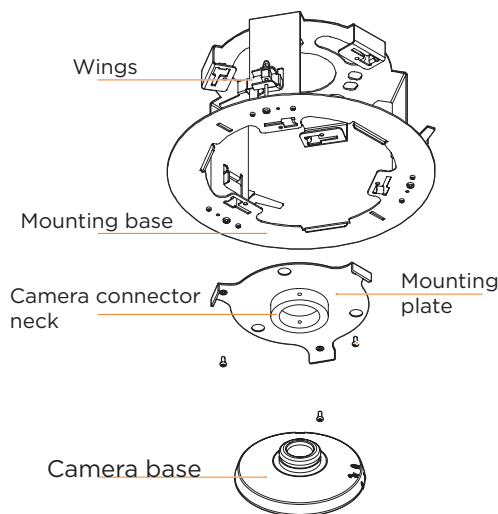
4. Pass the wires through the flush mount base.
5. Remove the camera's base from the camera module by rotating the base clockwise to the unlock position.



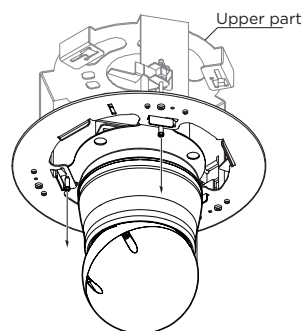
6. Connect the camera base to the mounting plate by rotating it clockwise and secure it with the two (2) mount screws included.
7. Use the second safety wire to secure the camera base and mounting plate to the mounting base.



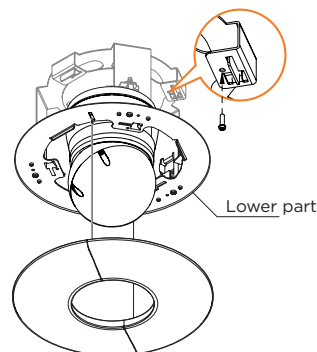
8. Connect all wires to the camera.



9. Attach the camera's body and mounting plate to the camera base and mounting plate by rotating the base counter-clockwise to the lock position.
10. Place the dome on the camera module by securing the screws at the base of the dome.
11. Connect the mounting plate inside to the upper part of the mounting base using the three (3) screws.



12. Attach the magnetic cover to the mounting base by aligning the connecting points as seen in the image below.

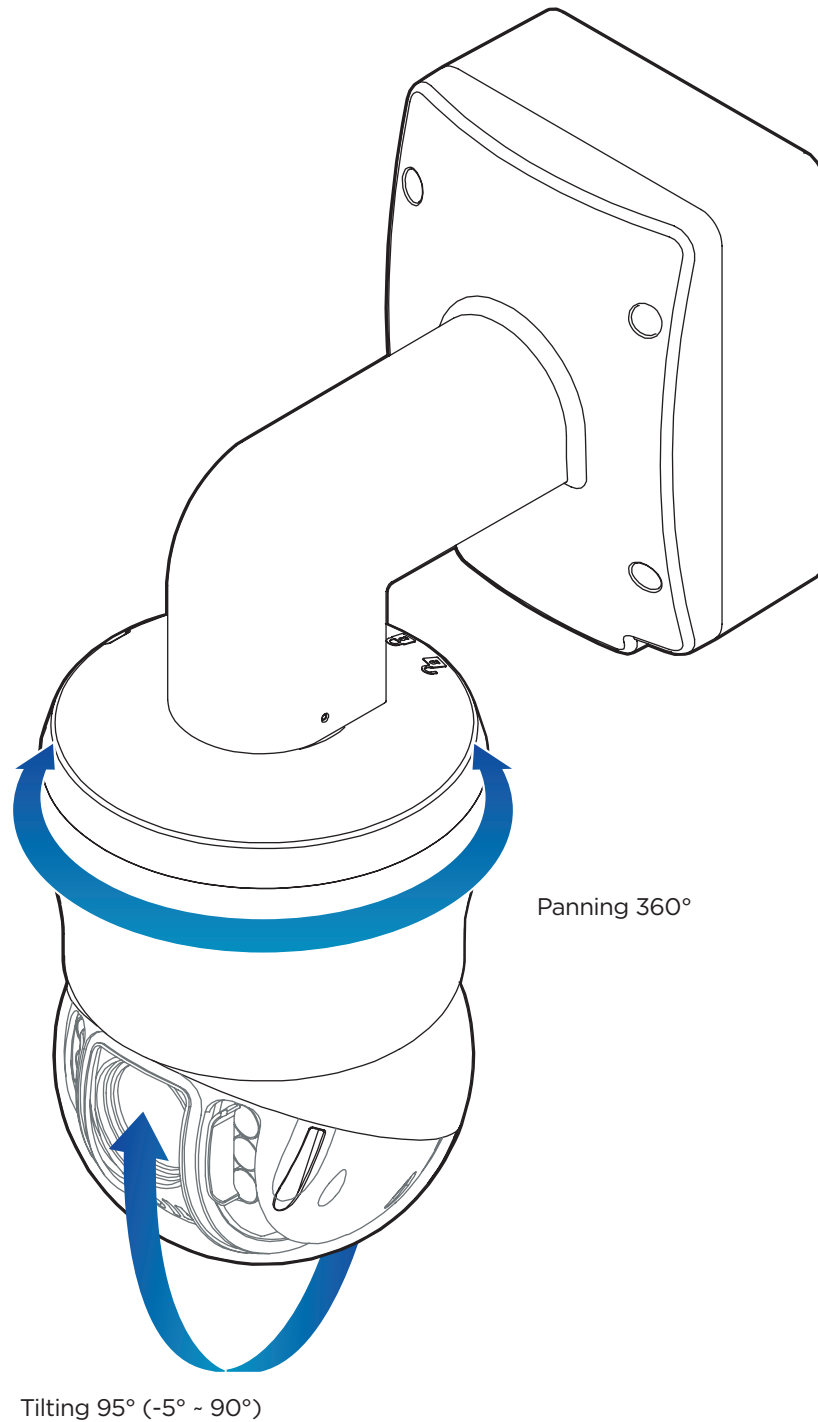


13. Remove the protection film when the installation is complete.

**NOTE:** See the QSG for the mounting accessory for more information.

# Installation - Adjusting the Camera's Angle

---



# Installation - Cabling

## Two Options

Use a PoE-enabled switch to connect data and power through a single cable and begin viewing and recording images instantly. A non-PoE switch will require an adaptor for power transmission.

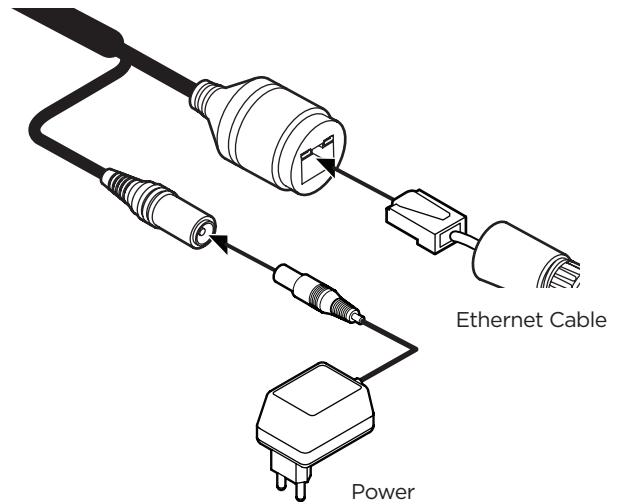
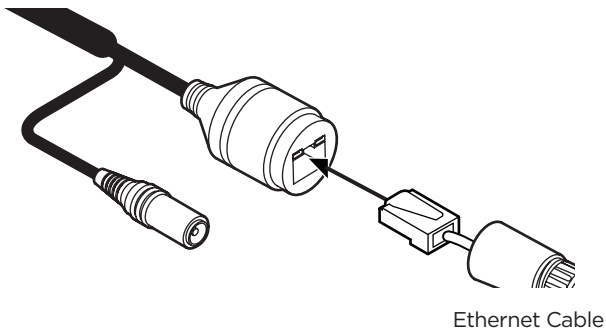
### 1. Using a PoE-Enabled Switch

When using a PoE Switch or the PoE injector included with the camera, connect the camera using an Ethernet cable for both data and power.

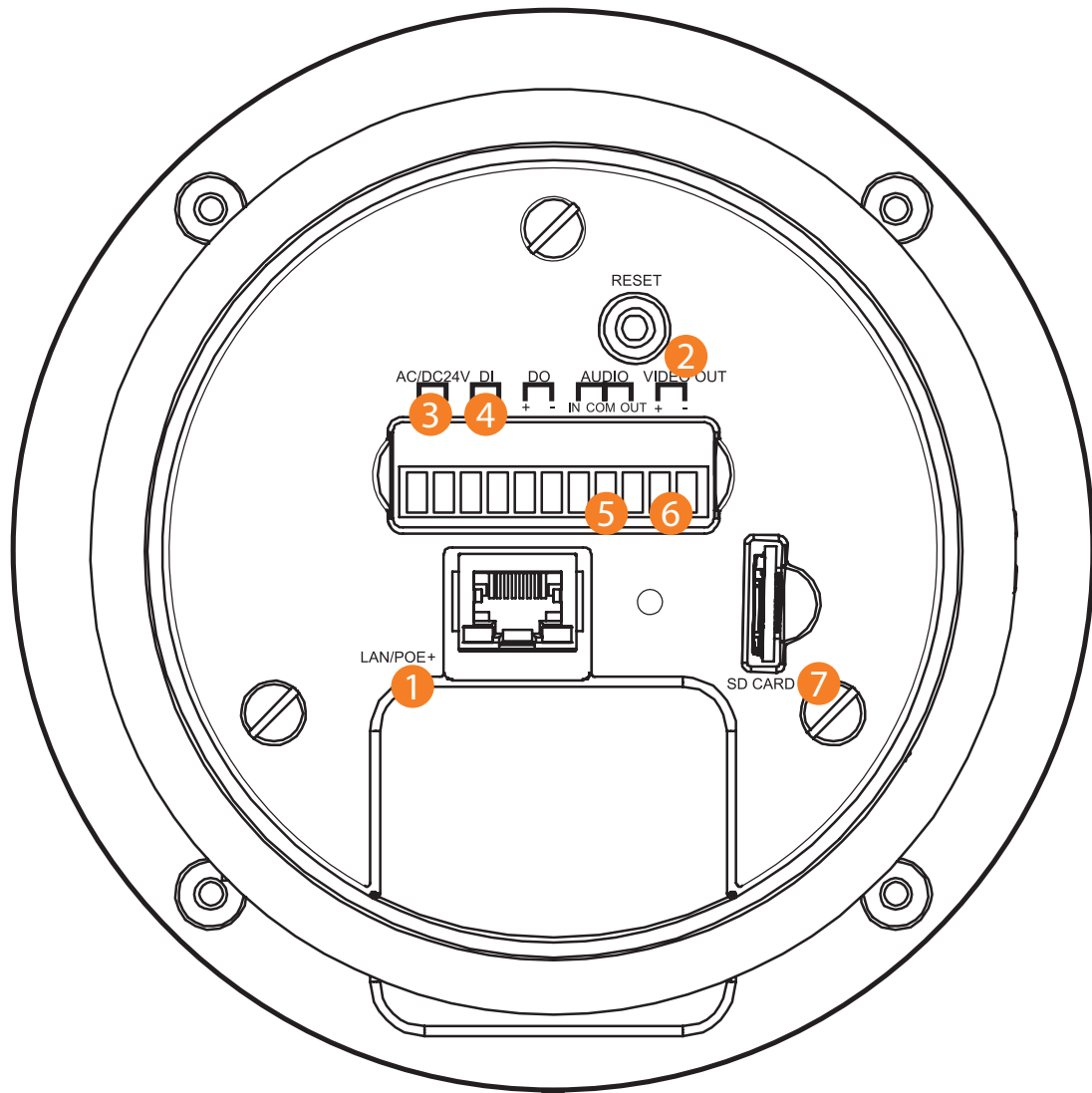
### 2. Using a Non-PoE Switch

When not using a PoE Switch or the PoE injector included with the camera, connect the camera to the switch using an Ethernet cable for data transmission and use a power adaptor to power the camera.

Power requirements	Power consumption
PoE IEEE 802.3bt class5 (PoE injector included), DC24V, AC24V	DC24V: 40W, 1666mA AC24V: 35W, 1485mA PoE: 42W, 1750mA

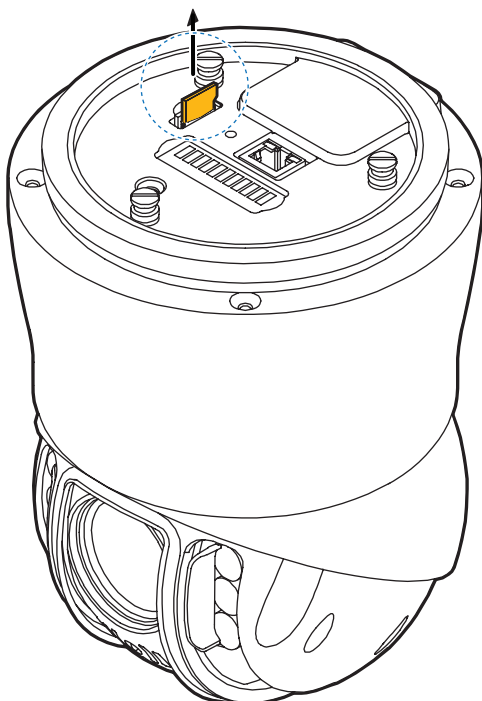
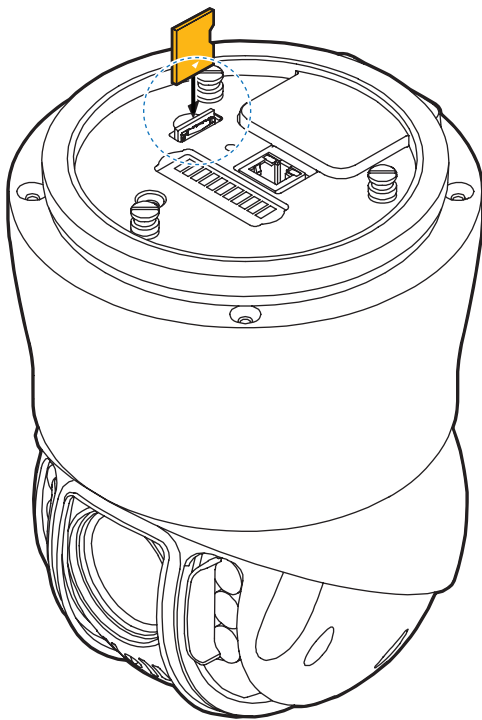


# Installation - Function

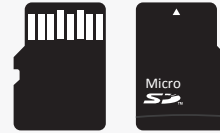


No	Connector	Description
1	Network connection	To connect an RJ45 cable to the camera.
2	Reset button	Reset the camera to its default settings
3	Power	When using a non-PoE switch, connect the camera to an adequate power adapter to power the camera.
4	Alarm input and output	Connect an external sensor input and alarm output to the camera's terminal block.
5	Audio input and output	Use the camera's audio-in port to connect a microphone or "line out" port of an amplifier.
6	Video output	Use the local video output for a camera image preview during the installation.
7	SD card slot	Insert an SD card for local recording.

# Installation - Managing the SD Memory Card



The memory card is an external data storage device that has been developed to offer an entirely new way to record and share video, audio and text data using digital devices.



## ❖ Recommended SD card specification (not included)

- Type: Micro SD (SD/SDHC/SDXC)
- Manufacturer: SanDisk, Samsung, Transcend, Micron
- Capacity: 4GB-128GB
- Class: UHS-I U3 Class 10
  - ❖ New micro SD card over 64GB must be formatted on the first use.

## Inserting an SD Memory Card

1. To install the camera's SD Card, locate the SD card slot at the front of the main unit.
  2. Insert a class 10 SD card into the SD card slot by pressing the SD card into the slot until it clicks into position.
- ❖ Do not insert the SD memory card upside down or by force. It may damage the SD memory card.

## Removing an SD Memory Card

Gently press down on the exposed end of the memory card as shown in the diagram to eject the memory card from the slot.

- ❖ Pressing too hard on the SD memory card can cause the card to shoot out uncontrollably from the slot when released.
- ❖ If you have saved data on the SD memory card, removing the SD memory card before disabling the recording can cause damage to the data stored in the card.

# Network Setup - DW IP Finder™

The screenshot shows the DW IP Finder interface. On the left, there is a sidebar with several controls: 'Thumbnail view', 'Select network to scan' (Local Area Connection [192.168.0.188]), 'Filter results' (All), 'Scan network' (Scan Devices), 'Show/hide thumbnail view' (Thumbnail), 'Refresh thumbnail view' (Refresh Thumbnail), 'Bulk IP assignment' (Bulk IP Assignment), 'Bulk password assignment' (Bulk Password Assignment), and 'Firmware upgrade' (FW Upgrade). At the bottom left, there is a section for 'Selected camera's username and password' with fields for Username and Password, and a Log In button.

The main area displays a table of detected devices. The table has columns for Name, IP Address, Model, MAC Address, Netmask, Gateway, Port, DHCP, Version, Ping Test, IP Conf., and Uptime. Below the table, there are thumbnail images of cameras. Callouts on the right side of the image point to specific elements: 'Firmware version' points to the Version column; 'Camera's uptime' points to the Uptime column; 'Open IP configuration settings' points to the IP Conf. column; 'Ping camera' points to the Ping Test column; 'Camera's network information' points to the IP Address, Netmask, and Gateway columns; and 'Camera's name, IP and MAC addresses' points to the Name, IP Address, and MAC Address columns.

- 1 To install the DW IP Finder, go to: <http://www.digital-watchdog.com>
- 2 Enter "DW IP Finder" on the search box at the top of the page.
- 3 Go to the "Software" tab on the DW IP Finder page to download the installation file.
- 4 Follow the installation to install the DW IP Finder. Open the DW IP Finder and click 'Scan Devices'. It will scan the selected network for all supported devices and list the results in the table. During the scan, the DW® logo will turn gray.
- 5 When connecting to the camera for the first time, a password must be set. To set up a password for your camera:

- a. Check the box next to the camera in the IP Finder's search results. You can select multiple cameras.
- b. Click "Bulk Password Assign" on the left.
- c. Enter admin/admin for the current username and password. Enter a new username and password to the right.

The 'Bulk Password Assignment' dialog box has two sections. The 'Current Account' section has fields for Username (admin) and Password (admin). The 'New Password' section has fields for New, Confirm, and Hint. A 'Change' button is at the bottom right. Below these sections is a table with columns for Name, MAC Address, IP Address, and Note. One row is visible: DW-C-M2WAT 00:0D:F1:21:66:92 192.168.10.159.

Passwords must have a minimum of 8 characters with at least 4 combinations of uppercase letters, lowercase letters, numbers and special characters. Passwords cannot contain the user ID.

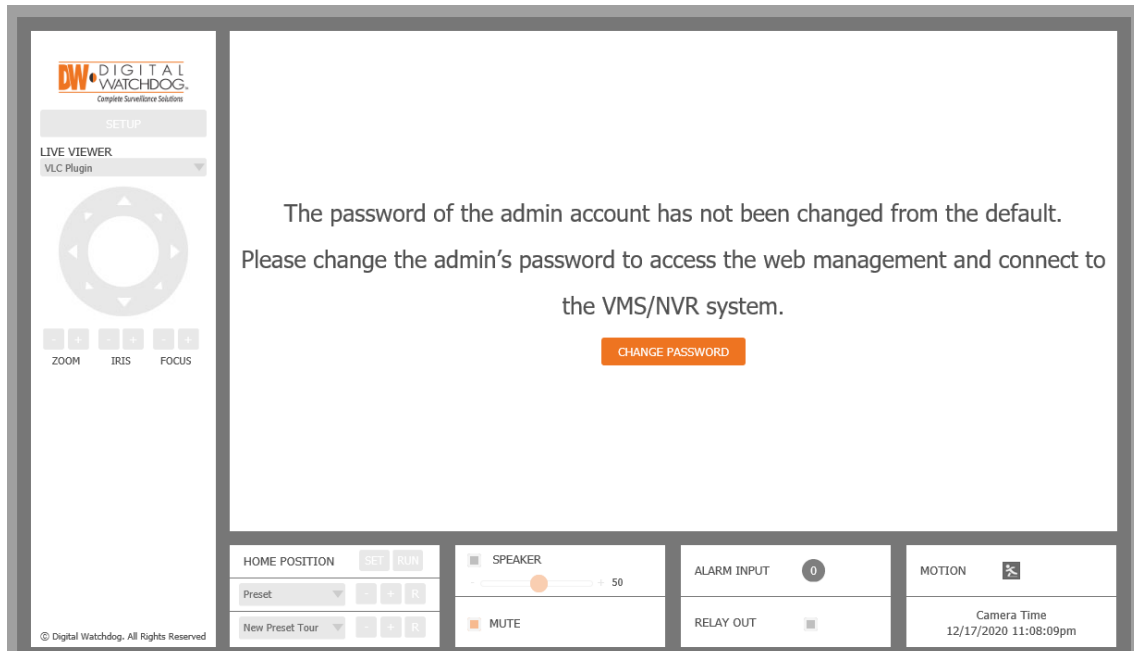
- d. Click "change" to apply all changes.

- 6 Select a camera from the list by double-clicking on the camera's image or clicking on the 'Click' button under the IP Conf. column. The pop-up window will show the camera's current network settings, allowing admin users to adjust the settings as needed.
- 7 To access the camera's web page, click on the 'View Camera Website' from the IP Config window.
- 8 To save changes made to the camera's setting, enter the username and password of the camera's admin account and click 'Apply'.

The 'DW Camera Settings' dialog box shows configuration options for a camera. Fields include Camera Name (DWC-MD421TIR) and MAC Address (00:0D:F1:20:A4:9E). Under 'IP Configuration Mode', 'DHCP' is selected. Other fields include IP Address (192.168.1.101), Netmask (255.255.255.0), Gateway (192.168.1.1), and DNS (192.168.40.1). The 'Ports' section has fields for Web Port (80), Control Port (0), Video Port (0), Audio Transmit (0), and Audio Receive (0). At the bottom, there are fields for Username (admin) and Password (masked with dots). Buttons include 'Restore default camera configuration', 'View Camera Website', 'Apply', 'Reboot', and 'Cancel'.



# Web Viewer Screen - Basic Screen (Default)



**Password change is required at the initial connection in a factory reset state. The web client cannot be fully utilized until a new password has been assigned.**

- 1 You cannot see the image, and the setup button is disabled.
- 2 Change the password with the CHANGE PASSWORD button.

- 3 After changing the password, log in again by pressing the RE-LOGIN button.
  - Internet Explorer: After three failed attempts or the cancel button is clicked, you will experience a login fail.
  - Other Browsers: After the Cancel button is clicked, you will experience a login fail.

**The admin's password has been changed.**

**Please re-login.**

[RE-LOGIN](#)

**Your session has expired and you have been signed out.**

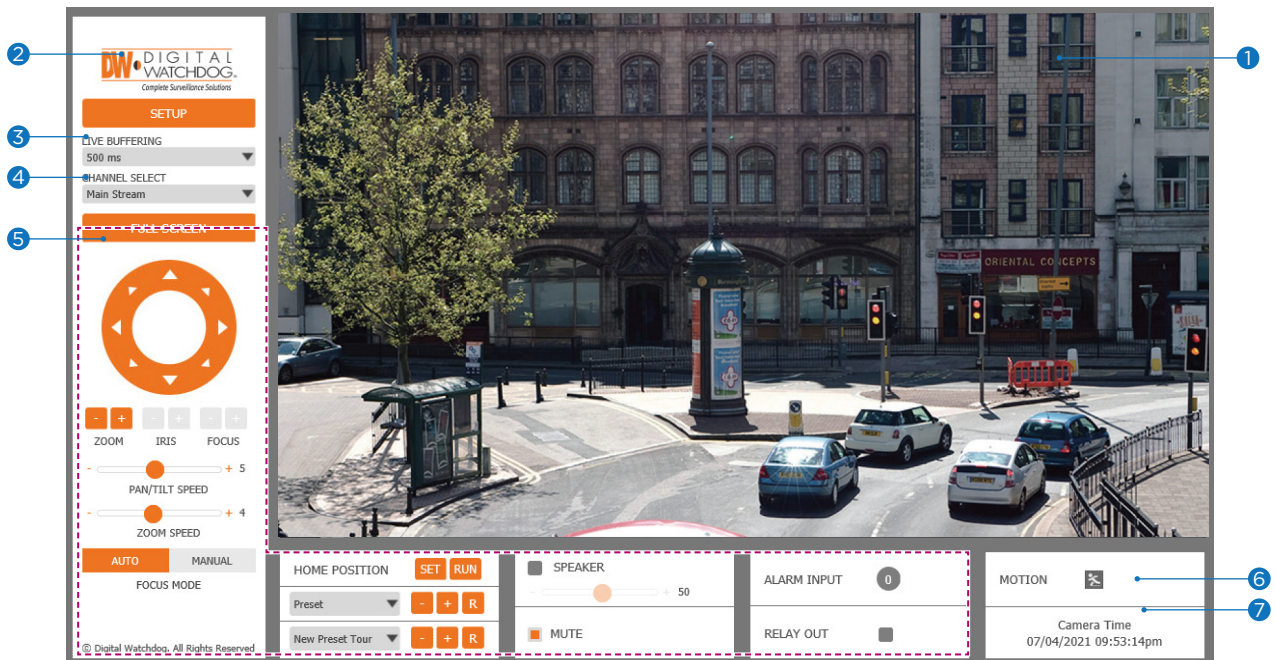
**Please re-login.**

[RE-LOGIN](#)

**✳ Password Hint Page**

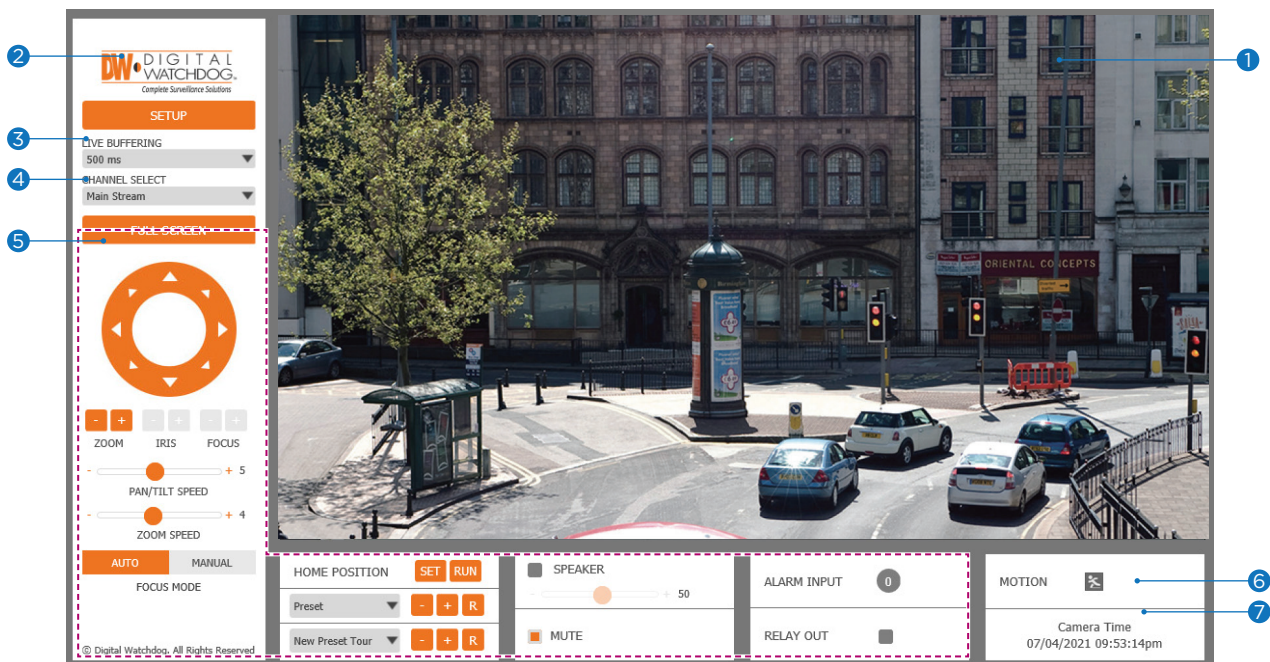
- If you need help remembering the password for your user, input the username in the username field and press the hint button. If you added a hint for your password when setting it up, it will appear then.

# Web Viewer Screen - Basic Screen



- ❗ The web viewer is optimized with explorer10 or above version and Firefox.
  - ❗ If VLC is not installed or the VLC plugin is not supported (Chrome), Live buffering and Channel selection menu on 3, 4 will change to Live Viewer menu. If HTML5 (MJPEG) is selected on the Live Viewer menu then you can check the video.
- 1 Live video display. This is the region for the live video stream from the camera.
  - 2 Setup popup button. Click it to open the Setup page to setup details of IP camera like Video, Network, Events, System, etc. See the section 'Setup'.
  - 3 When the image is not smooth due to a bad network connection, the image stored during setup will be shown during live stream.
    - ❗ Users can adjust the buffering time from the options in the drop-down menu to compensate for slow network connection.
  - 4 Channel Select button. Select a stream produced from the camera between Stream 1 - 3 to display it in the live view screen.
    - ❗ Refer the 'Setup > Video & Audio > Video' to setup the Video Stream.

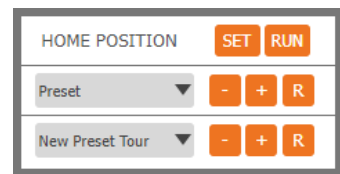
# Web Viewer Screen - Basic Screen



5 Below menu options may vary based on the camera model.

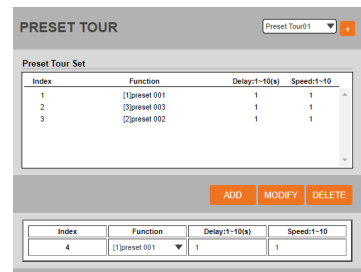
**PTZ Control** - This camera model supports remote zoom and focus control.

**HOME POSITION** - The home position is a set camera view that is the camera's default view. When the camera powers up or stops running a tour, it will default back to its home position. To set the home position, use the PTZ controllers on the left to move the camera to the desired position. Click on "SET" to save the camera view as the home position. Click on "RUN" to move the camera to the home position.



**Preset** - A preset is a predefined position for the camera. To add a preset, use the PTZ controllers on the left to move the camera to the desired position. Click on "+" to name and save the camera view as a new preset. Click on "-" to delete a preset selected from the drop-down menu. You can create up to 255 different presets. Click on "R" to move the camera to an existing preset from the drop-down menu.

**Preset Tour** - A preset tour is a pattern the camera performs moving from one set preset to another. At least 2 presets must be set up before a tour can be created. To create a tour, click on "+" to open the tour settings. Select the presets from the bottom table, enter the delay (how long the camera will remain in the preset) and the movement speed between presets from 1 to 10. Click "ADD" to add the preset to the tour. Repeat for additional presets as needed to complete the movement pattern. You can create up to 10 separate preset tours. Click on "-" to delete a tour selected from the drop-down menu. Click on "R" to start a preset tour from the drop-down menu.



**Speaker Control** - Enable or disable the audio stream from the camera and control the volume of the speaker in the computer.

**Alarm Input** - If an alarm is triggered, the color of the corresponding input number will change to red.

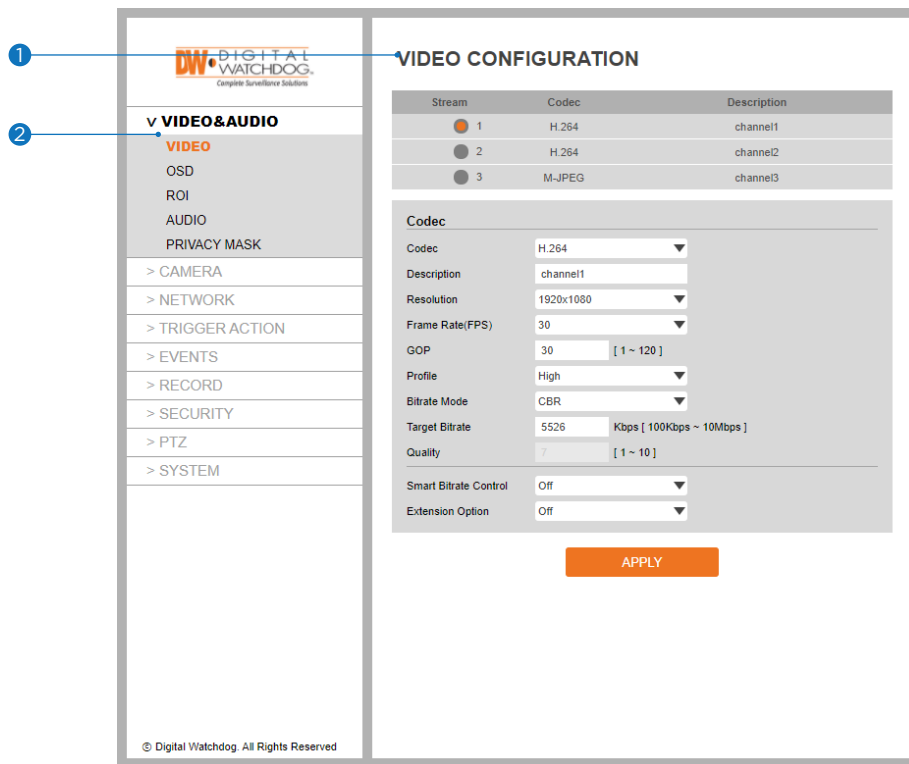
**Relay Out** - Use the checkbox to enable or disable the camera's relay output.

6 **Motion** - When motion detection is enabled on the camera, and motion occurs on the camera's view, the motion icon will change red.

7 **Camera Time** - Display the camera time.

# Setup - Video & Audio Setup

## Video Configuration



1 **Detail Page** - When you select an item from the menu, you can set the details for the selected item.

### 2 **Setup Constitution**

#### **Video&Audio**

[ VIDEO, OSD, ROI, AUDIO, PRIVACY MASK ]

#### **Camera**

[ IMAGE ADJUSTMENT, EXPOSURE, DAY&NIGHT, BACKLIGHT, WHITE BALANCE, IMAGE, VIDEO ]

#### **Network**

[ STATUS, NETWORK SETTING, AUTO IP, ONVIF, UPNP, DDNS, FTP, SMTP, SNMP, HTTP ACTION, RTSP ]

#### **Trigger Action**

[ ACTION RULES, IMAGE TRANSFER, RELAY OUT ]

#### **Events**

[ EVENT RULES, MOTION, TEMPERATURE, ALARM INPUT ]

#### **Record**

[ MANAGEMENT, RECORD LIST, STORAGE ]

#### **Security**

[ IP ADDRESS FILTER, RTSP AUTHENTICATION, IEEE 802.1x, HTTPS, CERTIFICATES, AUTO LOCK ]

#### **PTZ**

[ PTZ SETTINGS ]

#### **System**

[ INFORMATION, DIAGNOSTICS, CONFIGURATION BACKUP, FIRMWARE UPDATE, DATE&TIME, DST, USER MANAGEMENT, LOG, FACTORY RESET, RESTART, OPEN SOURCE, PLUG-IN ]

# Setup - Video & Audio Setup

## Video Configuration

**VIDEO CONFIGURATION**

Stream	Codec	Description
1	H.264	channel1
2	H.264	channel2
3	M-JPEG	channel3

**Codec**

Codec: H.264

Description: channel1

Resolution: 1920x1080

Frame Rate(FPS): 30

GOP: 30 [ 1 ~ 120 ]

Profile: High

Bitrate Mode: CBR

Target Bitrate: 5120 [ 100Kbps ~ 10Mbps ]

Quality: 5 [ 1 ~ 10 ]

Smart Bitrate Control: Off

Extension Option: Off

APPLY

**1 Live Video Channel Setup** - The video can be configured to various settings with a combination of codec and resolution. The camera performance should be considered when setting multiple channels, as the performance of the camera will be affected.

⚠ H.265 (HEVC) codec with a higher bitrate may cause unstable live streaming or reload the webpage.

**2 Codec** - Choose the video codec. Depending on the selected codec, the subcategories may be changed accordingly.

**3 Description** - Input the additional description of the selected channel. Max. 30 alphanumeric characters may be used, including spaces.

**4 Resolution** - Select video resolution.

⚠ Available Frame Rate may differ even if the same codecs are in use.

<Resolution of Video Format>

	1080p/i	720p/i	SVGA	VGA	4CIF	CIF
NTSC	1920 x 1080	1280 x 720	800 x 600	640 x 480	704 x 576 704 x 480	352 x 288 352 x 240

**5 Frame Rate** - Select the maximum Frame Rate.

⚠ Available Frame Rate can be different although the same codecs were set up.

# Setup - Video & Audio Setup

## Video Configuration

Stream	Codec	Description
1	H.264	channel1
2	H.264	channel2
3	M-JPEG	channel3

<b>Codec</b>	
Codec	H.264
Description	channel1
Resolution	1920x1080
Frame Rate(FPS)	30
GOP	30 [ 1 ~ 120 ]
Profile	High
Bitrate Mode	CBR
Target Bitrate	5120 [ 100Kbps ~ 10Mbps ]
Quality	5 [ 1 ~ 10 ]
Smart Bitrate Control	Off
Extension Option	Off

APPLY

- 6 **GOP (Group of Pictures) Size** - Set up the number of frames (P-frame) which contain only changed information based on the basic frame (I-frame). Regarding videos with lots of movement, if you set the GOP size bigger, only the number of P-frames is bigger.

As a result, the video resolution will be low but 'File size' and 'Bit-rate can be decreased.

⌘ **GOP (Group of Pictures) Size** -

I-frame and P-frame creation for MPEG4, H.264 and H.265 (HEVC) video compression. 'I-frame', also known as 'key-frame', refers to the complete image data for a specific video frame. 'P-frame' refers to the changes in the image in comparison to the previous video frame. As a result, the GOP consists of one I-frame and several P-frames. For improved video quality, use a lower number of P-frames for this setting.

- 7 **Profile** - The profile defines the subset of bitstream features in H.264, H.265 (HEVC) stream, including color reproduction and additional video compression.

⌘ H.264: Main, High / H.265 (HEVC): Main

---

**Main** - An intermediate profile with a medium compression ratio. Supports I-frames, P-frames and B-frames.

**High** - A complex profile with a high compression ratio. Supports I-frames, P-frames and B-frames.

---

- 8 **Bitrate Mode** - Select the bit rate control scheme of video compression from CBR (Constant Bit Rate) or VBR (Variable Bit Rate).

**CBR** - To guarantee the designated constant bit rate, the quality of the video is controlled in this mode. Therefore, the quality of the video is likely to be varying when network traffic is changing.

**VBR** - To guarantee the designated quality, the bit rate of the video stream is changed in this mode. Therefore, the frame rate of the video is likely to be varying when network traffic is changing.

⌘ This category will not appear if you select the codec.

# Setup - Video & Audio Setup

## Video Configuration

---

Stream	Codec	Description
1	H.264	channel1
2	H.264	channel2
3	M-JPEG	channel3

<b>Codec</b>	
Codec	H.264
Description	channel1
Resolution	1920x1080
Frame Rate(FPS)	30
GOP	30 [ 1 ~ 120 ]
Profile	High
Bitrate Mode	CBR
Target Bitrate	5120 [ 100Kbps ~ 10Mbps ]
Quality	5 [ 1 ~ 10 ]
Smart Bitrate Control	Off
Extension Option	Off

APPLY

9 **Target Bitrate** - If Bitrate Control is set to be CBR, you can set the Target Bitrate.

10 **Quality** - For VBR control mode, The Target Quality of the video can be setup.

11 **Smart Core** - Off / Smart.RC

12 **Extension Option**

---

**Off** - You cannot use the Extension Option.

---

**SVC-T On** - The H.264, H.265 (HEVC) SVC (Scalable Video Coding) is a video compression algorithm that enables effective and efficient transmission of video files over low bandwidth networks.

---

13 Click 'Apply' to save all settings.



# Setup - Video & Audio Setup

## OSD Configuration

---

The screenshot shows the 'ON SCREEN DISPLAY(OSD) CONFIGURATION' window. It is divided into two main sections: 'Date & Time' and 'User Text'. Each section has a radio button for 'Off' (selected) and 'On'. Below each section are two input fields for 'Position X' and 'Position Y', both with a range of [0 ~ 100]. The 'User Text' section also has a text input field. At the bottom center is an orange 'APPLY' button. Three blue callout boxes with numbers 1, 2, and 3 point to the 'Date & Time' section, the 'User Text' section, and the 'APPLY' button respectively.

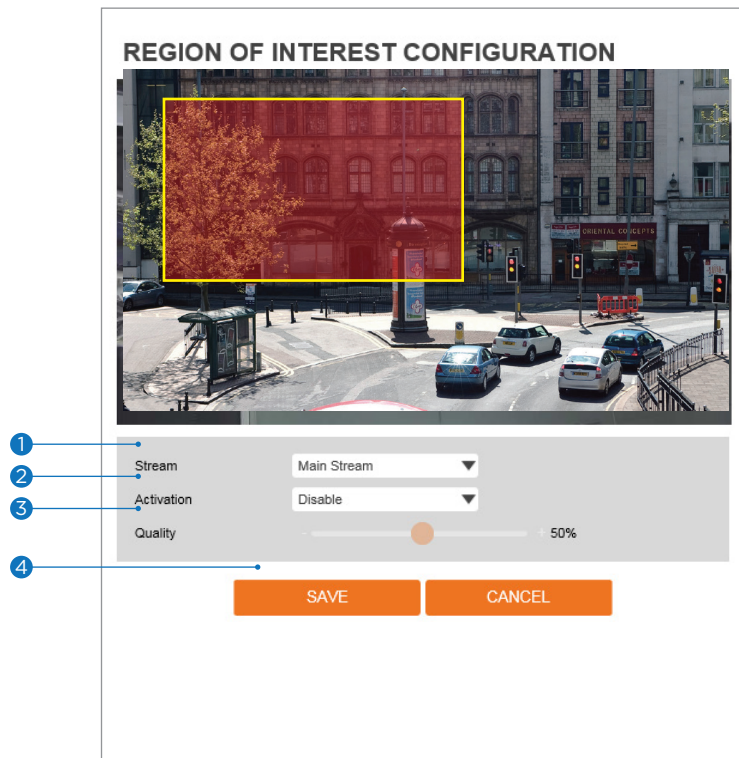
- 1 **Date / Time** - Display the current time.
- 2 **User Text** - Output the TEXT entered by the user. Support a maximum of 30 characters.
- 3 Click 'Apply' to save all settings.



# Setup - Video & Audio Setup

## Region of Interest Configuration

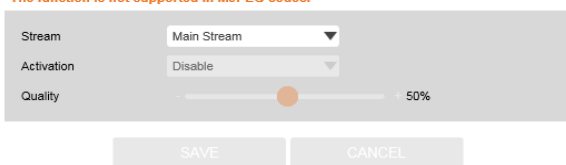
---



The region of interest function gives a more efficient picture quality for the indicated area to improve the qualities of movement in the scene without compromising the bandwidth.

- 1 Stream** - Select the Stream.
  - ☒ Currently supports only H.264, H.265 (HEVC).
  - ☒ The function is not supported in the MJPEG codec.

The function is not supported in MJPEG codec.



- 2 Activation** - Enable or disable the region of interest function.
- 3 Quality** - Set the quality of the set area.
- 4** Click 'Save' to save all settings.
  - ☒ Click 'Cancel' to return to the previous setting.

# Setup - Video & Audio Setup

## Audio Configuration

---

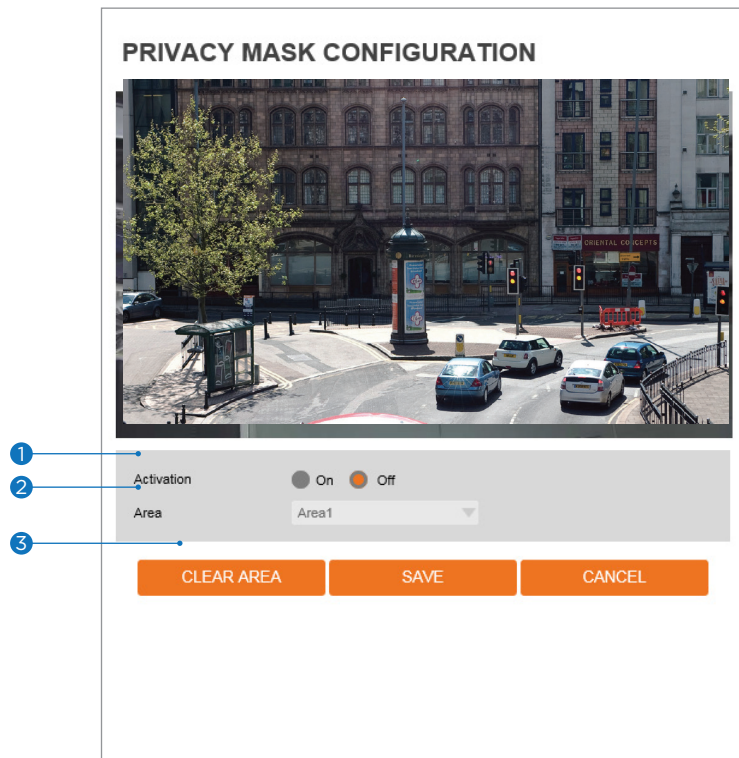
The screenshot shows the 'AUDIO CONFIGURATION' interface. It features a grey box titled 'Audio Encode' containing three settings: 'Codec' set to 'G.711 ulaw', 'Volume' set to '0', and 'Sample Rate' set to '8,000 Hz'. Below these settings is an orange 'SAVE' button. Four numbered callouts (1-4) point to the Codec, Volume, Sample Rate, and SAVE button respectively.

- 1 **Codec** - Displays the camera's audio codec- G.711.
- 2 **Volume** - Adjust the volume for audio coming from the camera from 0 to 10.
- 3 **Sample Rate** - Displays the camera's Audio Sample Rate- 8000 Hz.
- 4 Click 'Save' to save all settings.
  - ⌘ Click 'Cancel' to return to the previous setting.

# Setup - Video & Audio Setup

## Privacy Mask Configuration

---



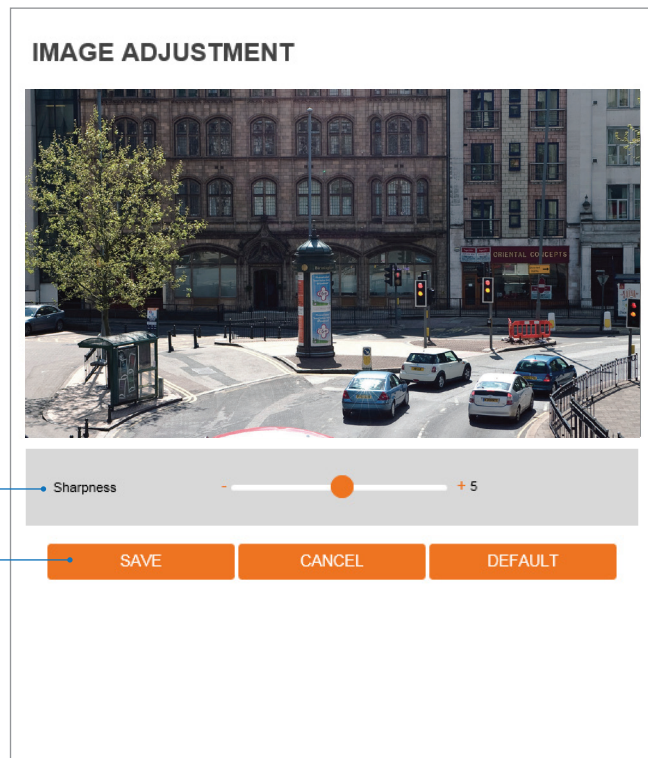
**Use this function to mask areas that you want to hide on-screen to protect privacy.**

- 1 **Activation** - Enable or disable the privacy mask function.
- 2 **Area** - Select Area1 ~ Area16, then draw the privacy mask in the video display.
- 3 Click 'Save' to save all settings.
  - ⊠ Click 'Cancel' to return to the previous setting.
  - ⊠ Click 'Clear Area' to delete the selected Area1~Area16.

# Setup - Camera Setup

## Camera Image Adjustment

---

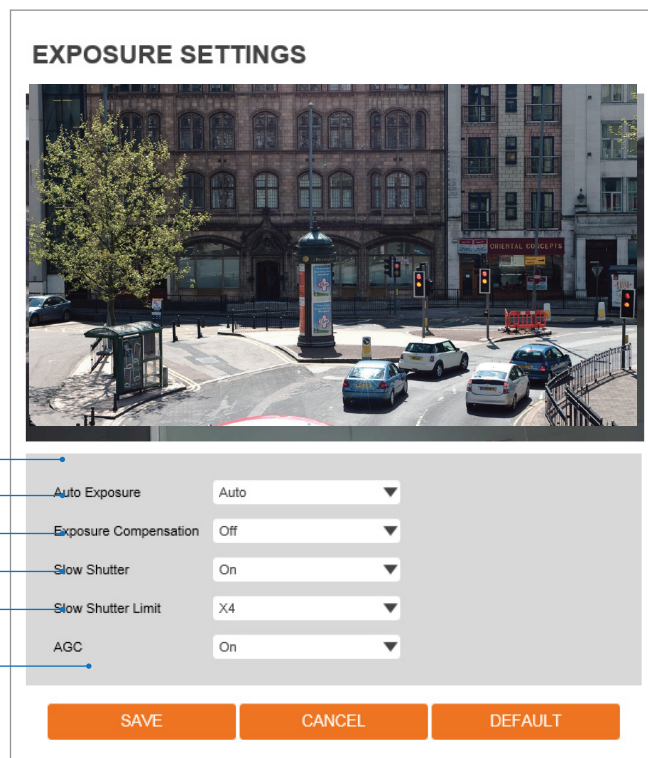


- 1 **Sharpness** - The higher the number, the sharper the lines in the image will appear.
- 2 Click 'Save' to save all settings.
  - Click 'Cancel' to return to the previous setting.
  - Click 'Default' to settings to the factory defaults.

# Setup - Camera Setup

## Camera Exposure Settings

---



- 1 Auto Exposure (Auto)** - Select the camera's exposure settings from the available options: Auto, Manual, Shutter Priority, Iris Priority, or Bright Mode. If auto is selected, the camera will set the aperture, or shutter speed, based on the current lighting conditions.
  - **Manual:** manually adjust the shutter speed, iris and gain values for the camera.  
Shutter Speed: 1/8, 1/15, 1/30, 1/60, 1/120, 1/125, 1/700, 1/1000, 1/1600, 1/2500, 1/5000, 1/7000, 1/10000, 1/30000  
Iris: 0 (Close) ~ 20 (Open)  
Gain: 0 step ~ 10 step
  - **Shutter priority:** adjust the shutter speed from the available options in the drop-down menu: 1/8, 1/15, 1/30, 1/60, 1/120, 1/125, 1/700, 1/1000, 1/1600, 1/2500, 1/5000, 1/7000, 1/10000, or 1/30000.
  - **Iris priority:** adjust the iris settings from the available options in the drop-down menu: 0 (Close) ~ 20 (Open).
  - **Bright Mode:** adjust the brightness based on the lighting conditions in the camera's environment. Select from 0 (dark) ~ 20 (bright).
- 2 Exposure Compensation** - Use this function to adjust the exposure level. When enabled, adjust the level from 0 to 20.
- 3 Slow Shutter** - Enable or disable the slow shutter function.
- 4 Slow Shutter Limit** - Set the slow shutter speed limit between x2 or x4.
- 5 AGC** - enable or disable the camera's gain value automatically.
- 6** Click 'Save' to save the current settings.
  - ⌘ Click 'Cancel' to return to the previous setting.
  - ⌘ Click 'Default' to settings to the factory defaults.

# Setup - Camera Setup

## Camera Day & Night Settings



### 1 Day and Night

- **Auto:** In this mode, the IR cut filter is removed automatically depending on the light condition around.
- **Day:** In this mode, the IR cut filter is applied to the image sensor all the time. Thus, the sensitivity will be reduced in the dark light condition, but better color reproduction performance is obtained.
- **Night:** In this mode, the IR cut filter on the image sensor is removed all the time. The sensitivity will be enhanced in the dark light condition, but the image is black and white.
- **Schedule:** In this mode, Day/Night mode is converted accordance with the scheduled time.

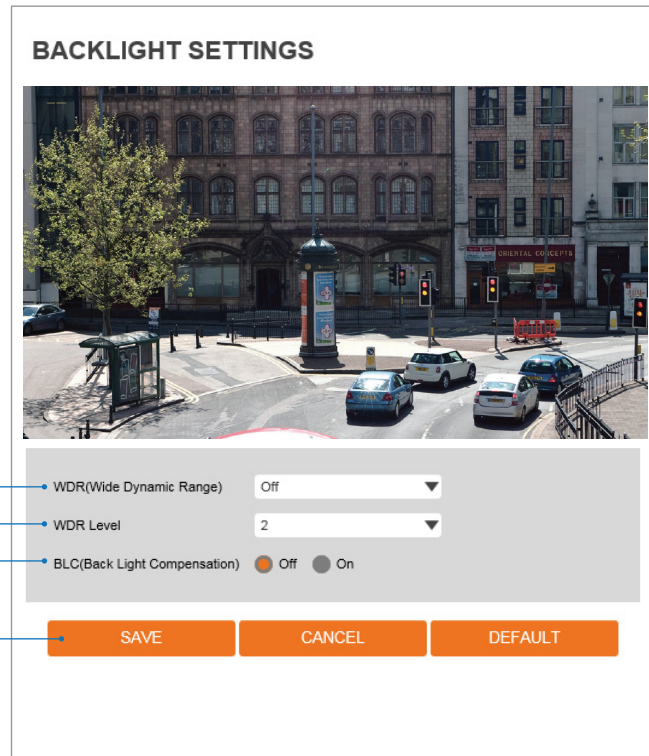
Day -> Night Time	19	:	00
Night -> Day Time	5	:	00

- 2 Color Level** - This level determines when the camera will change from Night mode (B/W) to Day mode (color) while set to Auto. The lower that this value is set, the lower the lighting threshold requirement will be for the transition.
- 3 B/W Level** - This level determines when the camera will change from Day mode (color) to Night mode (B/W) while set to Auto. The lower that this value is set, the lower the lighting threshold requirement will be for the transition.
- 4** Click 'Save' to save the current settings.
  - ⊠ Click 'Cancel' to return to the previous setting.
  - ⊠ Click 'Default' to settings to the factory defaults.

# Setup - Camera Setup

## Camera Backlight Settings

---



**This feature is used when lighting conditions may cause detail loss in the camera's view due to high contrast.**

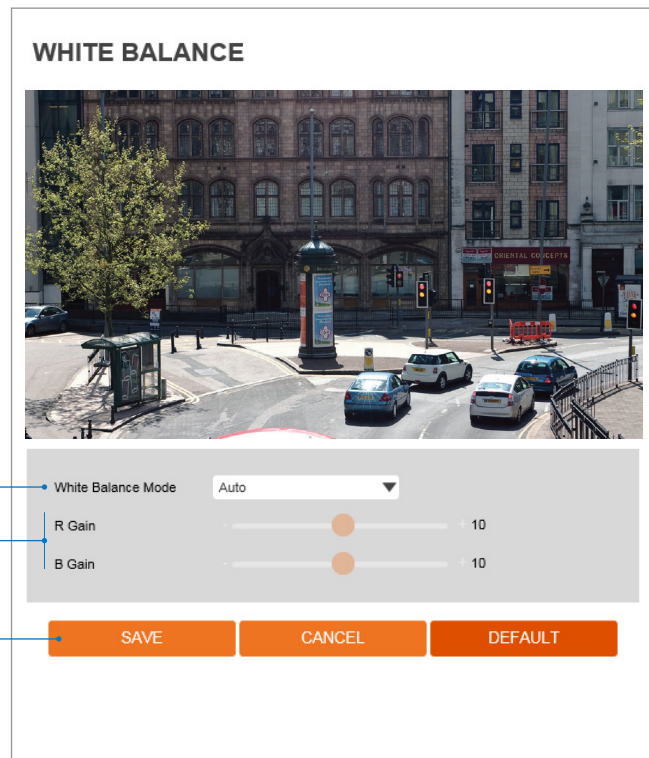
- 1 **WDR (Wide Dynamic Range)** - enable or disable the WDR function.
- 2 **WDR Level** - set the WDR level from 1 to 5. The higher the number, the stronger the WDR compensation.
- 3 **BLC (Backlight Compensation)** - enable or disable the BLC function. To enable BLC, WDR must be disabled.
- 4 Click 'Save' to save all changes.
  - ⊠ Click 'Cancel' to return to the previous setting.
  - ⊠ Click 'Default' to change the settings back to their factory defaults.



# Setup - Camera Setup

## Camera White Balance

---



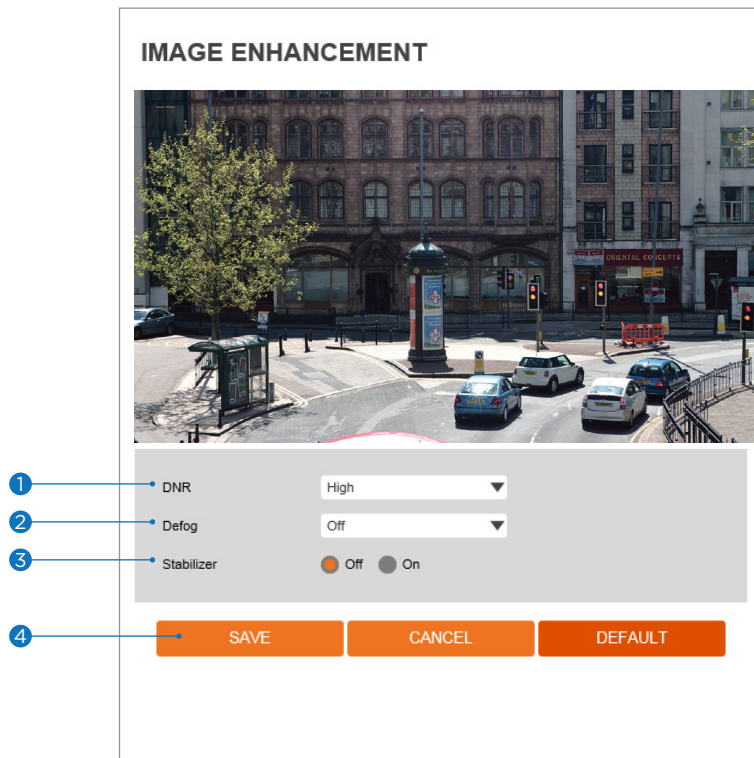
- 1 White Balance Mode** - Select from the available drop-down options: Auto, Indoor, Outdoor, One Push WB, or Manual.
  - **Auto:** Set the camera's white balance settings automatically based on the camera's lighting conditions.
  - **Indoor:** Set the camera's white balance settings automatically for indoor installations based on the camera's lighting conditions.
  - **Outdoor:** Set the camera's white balance settings automatically for outdoor installations based on the camera's lighting conditions.
  - **One Push WB:** When selected, push the button to set the white balance settings to the current lighting conditions and lock them.
  - **Manual:** Set the camera's white balance settings manually by adjusting the R gain and B gain.
- 2 RGB Gain** - The R/B gain can be set only when the White Balance Mode is set to Manual.
- 3** Click 'Save' to save all settings.
  - ☒ Click 'Cancel' to return to the previous setting.
  - ☒ Click 'Default' to settings to the factory defaults.



# Setup - Camera Setup

## Camera Image Enhancement

---

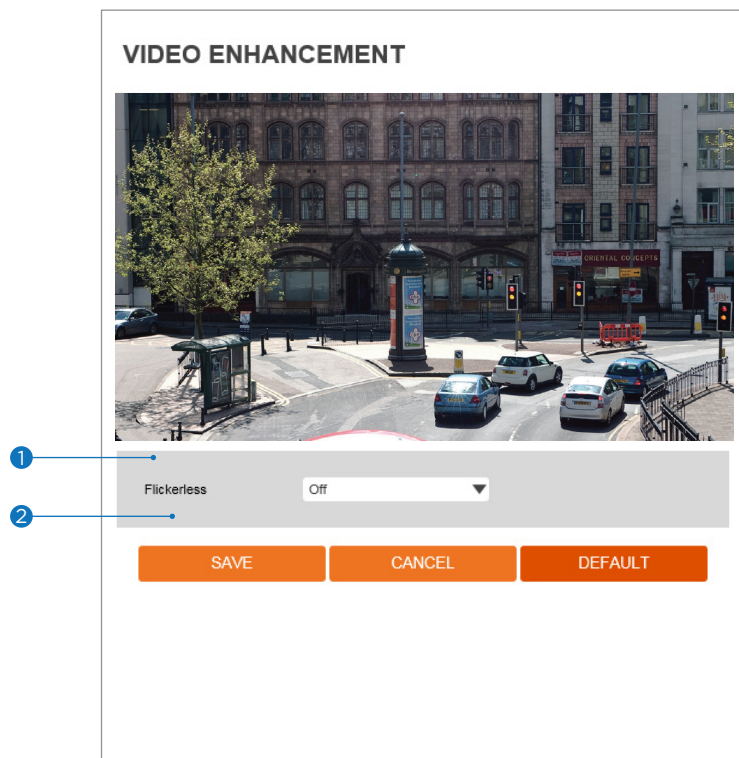


- 1 **3D Noise Reduction** - Reduce digital noise in low-light conditions, improving video quality. Set to Off, Middle, Low, or High.
- 2 **Defog** - Enable to adjust the camera's image when fog or inclement weather may impact the camera's view. Set to Off, Middle, Low, or High.
- 3 **Stabilizer** - Enable the stabilizer function to adjust the camera's image to compensate for shaking.
- 4 Click 'Save' to save all settings.
  - ⊠ Click 'Cancel' to return to the previous setting.
  - ⊠ Click 'Default' to settings to the factory defaults.

# Setup - Camera Setup

## Video Enhancement

---



- 1 **Flicker** - In environmental situations where the camera's image appears to flicker, enable this function to improve the camera's image.
- 2 Click 'Save' to save the current settings.
  - ⊠ Click 'Cancel' to return to the previous setting.
  - ⊠ Click 'Default' to settings to the factory defaults.

# Setup - Network Setup

## Network Status

---

NETWORK STATUS	
MAC Address	00:0D:F1:21:86:16
IP Address	192.168.1.15
Subnet Mask	255.255.0.0
Default Gateway	192.168.1.1
Preferred DNS Server	192.168.1.1
Alternate DNS Server	
HTTP Port	80
HTTPS Port	443
RTSP Port	554

**This menu displays the camera's current network settings. To make any changes to the settings, you must go to the appropriate network settings tab.**

# Setup - Network Setup

## Network Settings

---

**NETWORK SETTINGS**

Host Name

**Network Type**

Static  Dynamic

**IP setup**

IP Address

Subnet Mask

Default Gateway

Preferred DNS Server

Alternate DNS Server

**Port Setup**

HTTP Port  [ Default: 80, 1025 ~ 60000 ]

HTTPS Port  [ Default: 443, 1025 ~ 60000 ]

RTSP Port  [ Default: 554, 1025 ~ 60000 ]

- 1 **Network Type** - Define the network IP address type. Select Static Mode for a fixed IP or Dynamic Mode for a dynamic IP address.  
If you select Static Mode, enter the camera's IP Address, Subnet Mask, Gateway, DNS Server and all ports.  
If you select Dynamic Mode, the IP address will be assigned automatically by the DHCP network requirements.  
If you click 'Apply', the system will reboot and you will have to reconnect the camera using the new IP address.
  - 2 **IP Address** - A unique string of numbers, divided into four octets (ranging from 0-255), is used to identify the device over a network.
  - 3 **Subnet Mask** - Determines the range of IP address options within the network.
  - 4 **Default Gateway** - IP address of the forwarding host within the network; the IP address of the router that is most commonly used.
  - 5 **Preferred DNS Server** - Address of the decentralized system used to translate alphabetic names into IP addresses.
  - 6 **Alternate DNS Server** - Secondary address of the decentralized system used to translate alphabetic names into IP addresses.
  - 7 **HTTP Port** - The HTTP port can be set to the default 80 port or any value between 1025 to 60000.
  - 8 **HTTPS Port** - The HTTPS port can be set to the default 443 port or any value between 1025 to 60000.
  - 9 **RTSP Port** - The RTSP port can be set to the default 554 port or any value between 1025 to 60000.
  - 10 Click 'Apply' to save all settings.
- ⊗ If the network type is dynamic, the IP address is changed in the following cases. In these cases, the IP address needs to be searched again, and the camera needs to be reconnected:
- When the camera's power is switched off and on.
  - After firmware update, or when the camera is reset to its default settings and reboot.

# Setup - Network Setup

## Auto IP Settings

---

**AUTO IP SETTINGS**

**General Setting**

Off  On

**UNIQUE ID** a2acb141-8046-4450-916b-87558afaa5b4

**AUTO IP ADDRESS** 169.254.1.0

**APPLY**

- 1 **General Setting** - Enable or disable the Auto IP Settings.
- 2 **Auto IP Settings Information** - Display the camera's Unique ID and Auto IP address.
- 3 Click 'Apply' to save all settings.

# Setup - Network Setup

## ONVIF Settings

---

The screenshot shows the 'ONVIF SETTINGS' configuration page. It features two main sections: 'Authentication' and 'Discovery mode'. The 'Authentication' section has three radio button options: 'None', 'WS-Usertoken', and 'WS-Usertoken + Digest'. The 'Discovery mode' section has two radio button options: 'Discoverable' and 'Nondiscoverable'. An orange 'APPLY' button is located at the bottom right of the settings area. Three blue callout boxes with numbers 1, 2, and 3 are positioned to the left of the interface. Callout 1 points to the 'Authentication' section, callout 2 points to the 'Discovery mode' section, and callout 3 points to the 'APPLY' button.

### 1 Authentication

**None:** Allow access to the camera without ONVIF authentication.

**WS - Usertoken:** Allow access to the camera with WS-User Token of ONVIF authentication.

**WS - Usertoken + Digest:** Allow access to the camera with WS-User Token and Digest of ONVIF authentication.

### 2 Discovery Mode - Enable or disable discovery mode.

### 3 Click 'Apply' to save all settings.

# Setup - Network Setup

## UPNP Settings

---

The screenshot shows the 'UPNP SETTINGS' interface. It is divided into two main sections: 'General Setting' and 'Device Information'. In the 'General Setting' section, there are two radio buttons: 'Off' (selected) and 'On'. In the 'Device Information' section, there is a text input field labeled 'FriendlyName'. At the bottom of the interface is an orange 'APPLY' button. Three blue callout boxes with numbers 1, 2, and 3 are positioned to the left of the interface. Callout 1 points to the 'Off' radio button, callout 2 points to the 'FriendlyName' input field, and callout 3 points to the 'APPLY' button.

- 1 **General Setting** - Enable or disable the UPNP function.
- 2 **Friendly Name** - Define the friendly name. Support a maximum of 30 characters and special characters.
  - Do not use: / ~ ! \$ ( ) { } [ ] ; ,
  - Acceptable special characters include; @ . \_ -
- 3 Click 'Apply' to save all settings.

# Setup - Network Setup

## DDNS Settings

---

❶ **DDNS Disable** - If it is selected, the DDNS service does not work.

❷ **Public DDNS** - To use public DDNS service, select a site address listed on the list. After filling out the Host Name of the site the setup is completed by entering the username and password registered in that DDNS site.

DDNS Provider	Site Address
DynDNS	www.dyndns.com
No-IP	www.no-ip.com

⚠ If you setup DDNS properly, the IP address of your camera will be updated automatically whenever the IP address is changed or the system is rebooted.

⚠ If IP updating to the DDNS site is failed, the camera will keep retrying in 1min. interval.

❸ Click 'Apply' to save all settings.



# Setup - Network Setup

## FTP Settings

---

**FTP SETTINGS**

**General Setting**

Off  On

**Server information**

FTP Server Address

FTP Upload Path

FTP Port

User ID

Password

**APPLY**

To transfer/save the image to the relevant sites through FTP, then FTP needs to be setup.

- 1 **General Setting** - Enable or disable the FTP function.
- 2 **FTP Server Address** - Define FTP Server IP Address. If the IP Address form is incorrect, a message box will be shown to try again.
- 3 **FTP Upload Path** - Define a path in FTP server to store video. For the path name, English Alphabet, numbers and special characters ( / - ! @ \$ ^ ( ) \_ - { } [ ] ; , ) can be used.
- 4 **FTP Port** - Define the FTP Server Port. If the port is not appropriate, it is impossible to access to FTP Server.
- 5 **User ID** - Define User ID to access the FTP Server. Fill out the correct User ID registered in the FTP Server.
- 6 **Password** - Define Password to access the FTP Server. Fill out the correct Password registered in the FTP Server.
- 7 Click 'Apply' to save all settings.  
☒ Refer to the above image for example.

# Setup - Network Setup

## SMTP Settings

---

The screenshot shows the 'SMTP SETTINGS' configuration page. It is divided into three main sections: 'General Setting', 'Account information', and 'Mail Contents'.  
1. 'General Setting' has a radio button for 'Off' (selected) and 'On'.  
2. 'Account information' has a 'Mode' section with radio buttons for 'PLAIN' (selected) and 'SSL/TLS'.  
3. Below 'Mode' are input fields for 'SMTP Server Address', 'PORT' (with '25' entered), 'User ID', 'Password', 'E-Mail Sender', and 'E-Mail Receiver'.  
4. 'Mail Contents' has a 'Title' input field and a 'Message' text area with a scroll bar.  
5. Below the 'Message' field is a checkbox labeled 'Contains detailed event information'.  
6. At the bottom are two buttons: 'TEST' and 'APPLY'.

To send/save the image to the relevant sites by Email, SMTP needs to be setup.

- 1 **General Setting** - Enable or disable the SMTP function.
- 2 **Mode** - Select the security mode of SMTP from Plain or SSL / TLS. After checking the account setup of your SMTP Server, you may select one.
- 3 **SMTP Server Address** - Define the SMTP Server Address. If the IP Address form is incorrect, a message box will be shown to try again.
- 4 **Port** - Define the Port used in the Plain or SSL / TLS security mode in the above.
- 5 **User ID** - Define the User ID to access the SMTP Server. Fill out the correct User ID registered in the SMTP Server.
- 6 **Password** - Define the Password to access the SMTP Server. Fill out the correct Password registered in the SMTP Server.
- 7 **E-Mail Sender** - Define the e-mail address of the E-Mail Sender. It will be displayed as the sender when the camera sends an E-mail.
- 8 **E-Mail Receiver** - Define the e-mail address of the E-Mail Receiver. It will be displayed as the Receiver when the camera sends an E-mail.
- 9 **Title** - Define the title of the E-Mail when the camera sends an E-mail.  
⚠ The title of the Email is limited to 40 characters including the spaces.
- 10 **Message** - Define the contents of E-Mail when the camera sends an E-mail. The message of the E-mail is limited to 40 characters including the spaces.
- 11 Click 'TEST' to send a test message 'APPLY' to save all settings.

# Setup - Network Setup

## SNMP Settings

---

The screenshot shows the 'SNMP SETTINGS' configuration page. It is divided into three main sections: 'SNMP v1/v2c', 'SNMP v3', and an 'APPLY' button at the bottom. Callouts 1 through 11 point to the following elements:

- 1: Radio buttons for 'SNMPv1' and 'SNMPv2c'.
- 2: 'TrapAddress' text input field.
- 3: 'Mode' dropdown menu in the 'SNMP v3' section.
- 4: 'Activation' radio buttons.
- 5: 'Read Name' text input field.
- 6: 'Security Level' dropdown menu.
- 7: 'Authentication Algorithm' dropdown menu.
- 8: 'Authentication Password' text input field.
- 9: 'Private-Key Algorithm' dropdown menu.
- 10: 'Private-Key Password' text input field.
- 11: The 'APPLY' button.

1 **SNMPv1/SNMPv2** - Select the SNMPv1/SNMPv2 option and type the names of Read and Write communities.

**SNMP trap can be used to check periodically for operational thresholds or failures that are defined in the MIB.**

2 **SNMP Trap** - Enable or disable the SNMP trap.

**SNMPv3 contains cryptographic security, a higher security level, which allows you to set the Authentication password and the Encryption password.**

3 **Mode** - Select either Read or Read/Write mode.

4 **Activation** - Select mode to enable or disable.

5 **Read/Write name** - Define Read name and Write name.

6 **Security Level** - Select one of no auth, no priv/auth, priv.

7 **Authentication Algorithm** - Select MD5 or SHA as the authentication method.

8 **Authentication Password** - The Authentication Password is encryption for authentication and is between 8 to 30 digits long.

9 **Private-Key Algorithm** - Select DES or AES as the encryption algorithm.

10 **Private-Key Password** - Information protection password is a private encryption at least 8 digits and up to 30 digits long.

11 Click 'Apply' to save all settings.

# Setup - Network Setup

## HTTP Action

---

The screenshot shows the 'HTTP ACTION' configuration page. It is divided into three main sections: 'General Setting', 'Account information', and 'Message'.  
1. 'General Setting' contains a radio button for 'Off' (selected) and a radio button for 'On'.  
2. 'Account information' contains five input fields: 'Description', 'HTTP Action Server', 'PORT' (with '80' pre-filled), 'User ID', and 'Password'.  
3. 'Message' contains a large text area for entering a message.  
At the bottom of the form is an orange 'APPLY' button.

- 1 General Setting** - Enable or disable the camera to send out an HTTP action when an event occurs. When enabled, the camera can notify a monitoring software using the HTTP protocol.
- 2 Account information** - Set the RTSP time out.  
Description: Enter a short description to be  
HTTP Action Server: Enter the HTTP address of the receiving server. This is the server that will receive the HTTP action notification from the camera.  
PORT: Enter the port number for the receiving server.  
User ID: Enter the user ID information for the receiving server.  
Password: Enter the password information for the receiving server.
- 3 Message** - Enter the default message that will be included with the alert.
- 4** Click 'Apply' to make the above setting effective.  
⚙️ Click this button when completing the setup of each channel.

# Setup - Network Setup

## RTSP Information

---

The screenshot shows the 'RTSP INFORMATION' configuration page. It is divided into several sections: 'RTSP Global Setting', 'Session Timeout', 'QoS Setting', and 'Rtp Multicast'. Below these is an 'APPLY' button and a table of RTSP connections. Numbered callouts 1 through 6 point to the following elements:

- 1: Target Stream dropdown menu (set to 'Main Stream')
- 2: Time Out input field (set to 0)
- 3: QoS Setting section, specifically the DSCP input field (set to 0)
- 4: RTP Multicast section, specifically the IP input field (set to 0.0.0.0)
- 5: The orange 'APPLY' button
- 6: The table of RTSP connections

No	Remote IP	Port	Type
1	127.0.0.1	34914	UDP
2	192.168.4.107	64670	UDP

- 1 **Target Stream** - Select the stream you want to set.
- 2 **Time out** - Set the RTSP time out.
  - ⊠ The session is disconnected after the specified time-out.
- 3 **QoS Setting** - Set the quality of service to ensure data transfer performance.
- 4 **RTP Multicast** - Check RTP Multicast Start/Stop. To activate RTP Multicast.
  1. Click the “On” button.
  2. Enter accessible RTP Multicast IP, the port for video stream control, RTP packet TTL.
  3. Click the “Apply” button.
  - ⊠ It is possible to set each RTP Multicast for CH1-3.
- 5 Click ‘Apply’ to save all settings.
  - ⊠ Click this button when completed setup each channel.
- 6 It shows RTSP Connection information.

# Setup - Trigger Action Setup

## Action Rules Configuration

---

**ACTION RULES CONFIGURATION**

**Action Rules**

Name	Reserve Action	Action
SMTP	1 / 5	SMTP
FTP	1 / 5	FTP
RECORD	1 / 5	RECORD

ADD    MODIFY    DELETE

- 1 **Action rules List** - It indicates the custom action rule information added to the Action rules list.
- 2 Click 'Add' to add custom action rules.
  - ☒ Click 'Modify' to modify selected items from the action rules list.
  - ☒ Click 'Delete' to delete selected items from the action rules list.

# Setup - Trigger Action Setup Action Rules Add / Modify

---

The screenshot shows a form titled "ACTION RULES CONFIGURATION". It has a "General Setting" section with a "Name" field containing "NewAction". Below this are five rows for "Action1" through "Action5", each with a dropdown menu currently set to "NONE". At the bottom are two orange buttons: "SAVE" and "CANCEL". Three blue callout boxes with numbers 1, 2, and 3 point to the Name field, the Action dropdowns, and the Save/Cancel buttons respectively.

- 1 **Name** - Define the name of the action rules.
  - ⊠ Input text cannot exceed the limit (3-15 characters).
- 2 **Action1 ~ Action5** - Select the action to take If the event occurs.
- 3 Click 'Save' to save all settings.
  - ⊠ Click 'Cancel' to return to the previous menu.

# Setup - Trigger Action Setup

## Image Transfer Configuration

---

### IMAGE TRANSFER CONFIGURATION

1. Add the FTP/SMTP action in the event rules menu.  
2. When an event occurs, the images will be sent to ftp/smtp address .  
3. Determine the image transfer speed and the duration of image transfer after/before an event.

#### Pre/Post Alarm Image

Number Of Image	<input type="text" value="2"/>	Image Per Seconds(s) [ 1 ~ 5 ]
Pre-Alarm Duration	<input type="text" value="3"/>	Second(s) [ 1 ~ 5 ]
Post-Alarm Duration	<input type="text" value="3"/>	Second(s) [ 1 ~ 30 ]
Max. Number Of Image	<input type="text" value="30"/>	<input type="checkbox"/> [ Default:Off, 5 ~ 1000 ] (SMTP Only)

- 1 **Pre/Post Alarm Image** - Image Transfer due to event is configured by setting the image transfer rate and Pre/Post alarm duration.

	Descriptions
Number of Images	Define the number of images transferred per second.
Pre-alarm Duration	Define the duration of image transfer before an event.
Post-alarm Duration	Define the duration of image transfer after an event.

- 2 Click 'Apply' to save all settings.



# Setup - Trigger Action Setup Relay Out Configuration

---

The screenshot shows a configuration window titled "RELAYOUT CONFIGURATION". It contains the following elements:

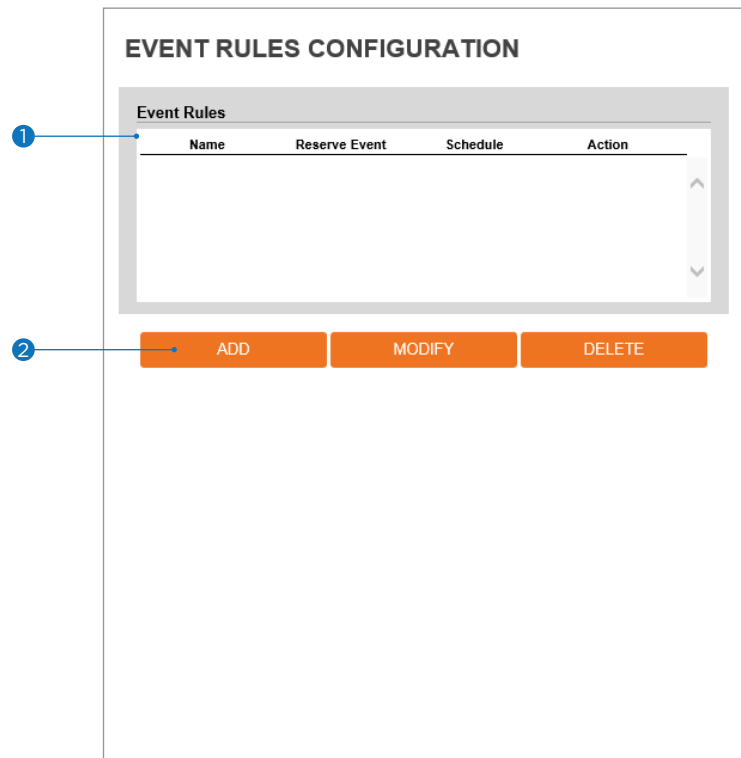
- 1** Relay Output: A dropdown menu showing "01".
- 2** Mode: Two radio buttons, "Monostable" (selected) and "Bistable".
- 3** Idle State: Two radio buttons, "Closed" (selected) and "Open".
- 4** Duration: A text input field containing "1" followed by the label "Second(s) [ 1 ~ 30 ]".
- 5** APPLY: An orange button with the text "APPLY".

- 1 Relay Output** - Select the Relay output.
  - ⚠ The number of relay outputs available depends on the camera model.
- 2 Mode** - Select the monostable/bistable for relay mode.
- 3 Idle State** - Select whether the contact is normally opened or is closed.
- 4 Duration** - Relay out is operated during the setting time.
  - ⚠ In monostable mode, this function must be set up.
- 5** Click 'Apply' to save all changes.

# Setup - Event Setup

## Event Rules Configuration

---



- 1 **Event Rules List** - It indicates the custom Event Rule information added to the Event Rules list.
- 2 Click 'Add' to add custom event rules.
  - ⊠ Click 'Modify' to modify selected items from the event rules list.
  - ⊠ Click 'Delete' to delete selected items from the event rules list.

# Setup - Event Setup

## Event Rules Configuration

---

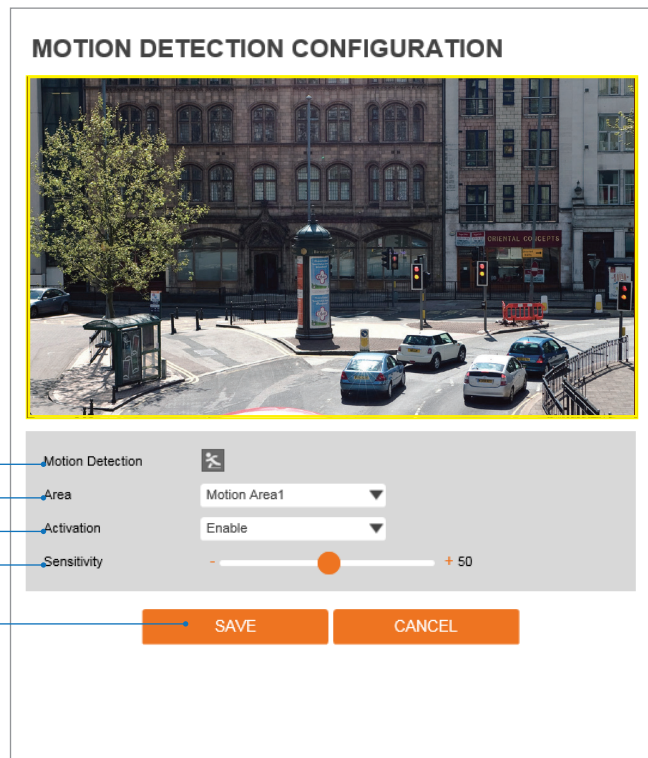
The screenshot shows the 'EVENT RULES CONFIGURATION' interface. It is divided into three main sections: 'General', 'Event Condition', and 'Action'.  
1. In the 'General' section, the 'Name' field contains 'NewRule'.  
2. In the 'Event Condition' section, the 'Event' dropdown menu is set to 'NONE'. Below it, a note states: 'If "System Initialize" is selected, "Recording" does not work.'  
3. In the 'Action' section, the 'Rules' dropdown menu is set to 'NONE'.  
4. At the bottom, there are two orange buttons: 'SAVE' and 'CANCEL'.

- 1 **Name** - Enter a name for the new event rule.
- 2 **Event** - Select the event to trigger the rule. Select from motion detection, network disconnection, illegal login detected, temperature critical, sensor detection, or system initialize.
  - ⊠ Click 'Cancel' to return to the previous setting.
  - ⊠ You need at least one event.
- 3 **Rules** - Select the action to take when the rule is active. Select from sending notifications to an SMTP server, an FTPO server, or start recording. Note that "record" action is not available if system initialize is selected as the event.
- 4 Click 'Save' to save the current settings.
  - ⊠ Click 'Cancel' to return to the previous setting.

# Setup - Event Setup

## Motion Detection Configuration

---



- 1 Motion Detection** - It shows the Motion event status.
  - ☒ Event Alert Icon(🚨) appears if 'Motion Detection' is activated.
- 2 Area** - Set the motion detected area. Click in the display window to draw the motion area.
  - ☒ You can set up to four areas.
- 3 Activation** - Enable or Disable motion detection function.
- 4 Sensitivity** - Define the sensitivity of motion detection.

If a high value is selected, it will detect very small motion while it becomes relatively insensitive when a low value is selected.
- 5** Click 'Save' to save all settings.
  - ☒ Click 'Cancel' to return to the previous setting.

# Setup - Event Setup Temperature

---

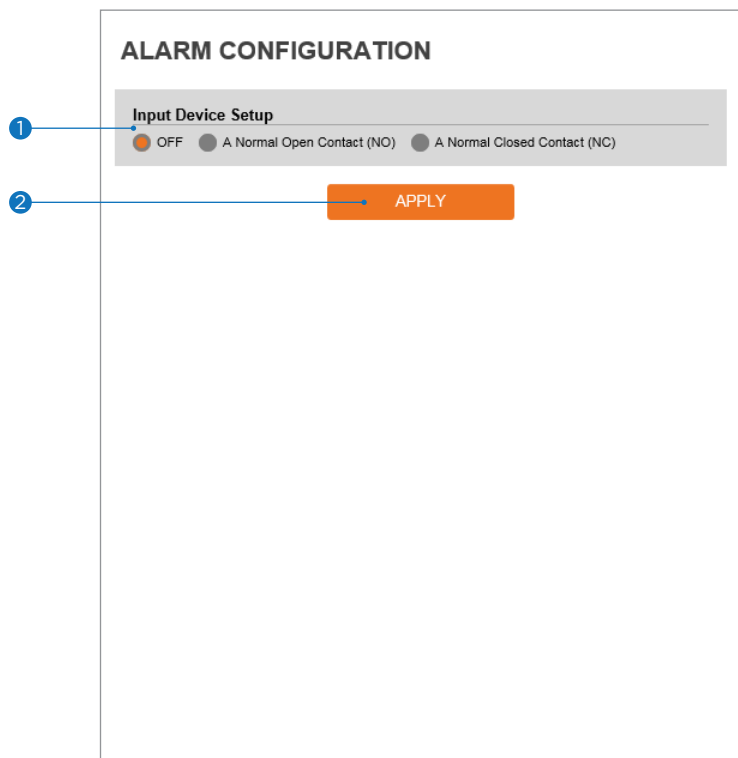
The screenshot shows a web interface for configuring temperature settings. The title is "TEMPERATURE". Below it is a "General Setting" section with a horizontal line. There are four numbered callouts (1-4) pointing to specific elements: 1 points to the "Mode" dropdown menu which is set to "Fahrenheit"; 2 points to the "Threshold" input field which contains the value "150" and a range "[ 122 ~ 212 ]"; 3 points to the "TEMPERATURE" label and the current value "102 °F"; 4 points to an orange "APPLY" button.

- 1 **Mode** - Select Fahrenheit or Celsius.
- 2 **Threshold** - Define the temperature at which the event trigger occurs.
- 3 **Temperature** - It indicates the current temperature of the IP camera.
- 4 Click 'Apply' to save all settings.

# Setup - Event Setup

## Alarm Configuration

---



- 1 **Input Device Setup** - Select input device type from OFF / N.O. / N.C.

	Operation
OFF	Ignore this input sensor.
NO	The contact is normally open and closed when activated.
NC	The contact is normally closed and open when activated.

- 2 Click 'Apply' to save all changes.

# Setup - Record Setup

## Record Management

---

The screenshot shows the 'RECORD MANAGEMENT' interface. It is divided into two main sections: 'Record Global Setting' and 'RECORDING LIST'. The 'Record Global Setting' section contains a 'Target Stream' dropdown menu currently set to 'NONE'. Below this is an orange 'SAVE' button. The 'RECORDING LIST' section contains a table with the following data:

Name	Enabled	File Type	Storage	Continuous
RECORD0	X	MP4	STORAGE1	Off
RECORD1	X	MP4	STORAGE1	Off

Below the table is an orange 'MODIFY' button. Four numbered callouts (1-4) point to the 'Target Stream' dropdown, the 'SAVE' button, the 'RECORDING LIST' table, and the 'MODIFY' button respectively.

- 1 **Target Stream** - Select the channel you want to record video.
- 2 Click 'Save' to save the current settings.
- 3 **Recording List** - Display the information about the recording settings.
- 4 Click 'Modify' to modify the selected item in the recording list.

# Setup - Record Setup

## Record Configuration

---

The screenshot shows the 'RECORD MANAGEMENT' interface with a 'Record Settings' panel. The panel contains the following fields and controls:

- 1. **Enabled**: Radio buttons for 'Off' and 'On'. The 'On' option is selected.
- 2. **Storage Device**: A dropdown menu showing 'SDCard 1'.
- 3. **File Type**: A dropdown menu showing 'MP4'.
- 4. **Storage**: A dropdown menu showing 'SDCard'.
- 5. **Continuous**: Radio buttons for 'Off' and 'On'. The 'Off' option is selected.
- 6. **Pre Duration**: A text input field with the value '5' and a range indicator '[ 0 ~ 5 ]'.
- 7. **Post Duration**: A text input field with the value '5' and a range indicator '[ 1 ~ 240 ]'.
- 8. **SAVE** and **CANCEL** buttons.

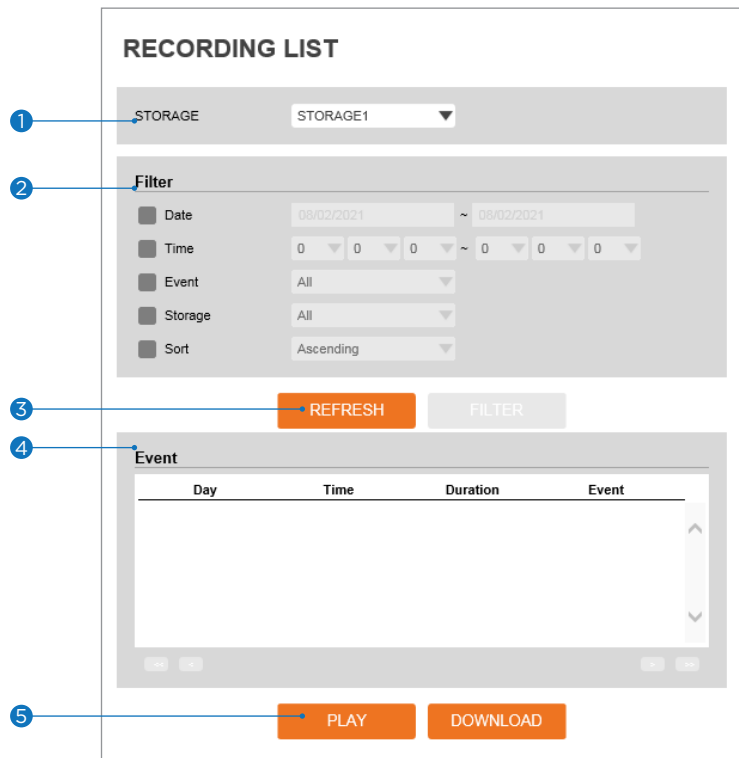
- 1 **Enabled** - Enable or disable this function.
- 2 **Storage Device** - This option shows the SD card currently mounted on the camera.
- 3 **File Type** - Select the recording file type.
  - ⊠ Currently, the camera supports MP4 file type.
- 4 **Storage** - Select the storage type. SD Card (Disabled) selection is not allowed.
- 5 **Continuous** - If continuous mode is enabled, the camera will start recording automatically.
- 6 **Pre Duration** - Define the duration of recording before an event.
- 7 **Post Duration** - Define the duration of image transfer after an event.
- 8 Click 'Save' to save the current settings.
  - ⊠ Click 'Cancel' to return to the previous setting.



# Setup - Record Setup

## Recording List

---



- 1 **Storage** - Select the Storage from the available options.
- 2 **Filter** - Select the date/time, event, sort, or storage format to filter the recorded video results.
- 3 Click the 'Refresh' button to refresh the search results as needed.
  - ☒ Click 'Filter' to view the filtered recorded video.
- 4 **Recording List** - Display the information of the recorded video.
- 5 Click 'Play' to view the selected item in the list of the recorded video results.
  - ☒ Click 'Download' to download the selected item.
  - When you click 'Download', the following window appears.
  - When downloading, please fill-up the purpose of the file download. The field is limited to 30 characters. (This information will be shown on the Log page with the download time).

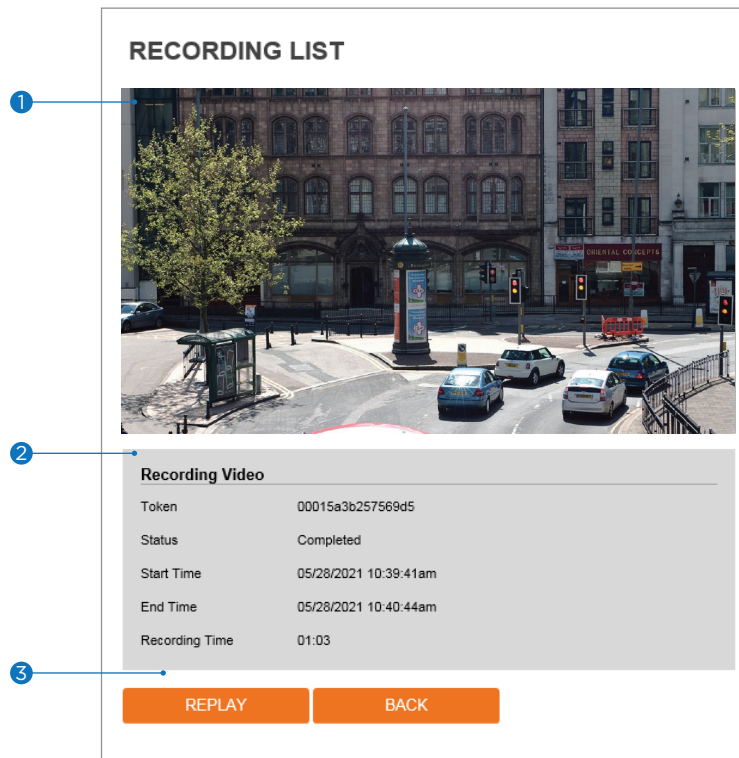
Input the purpose of the file download (max: 32 characters)

OK Cancel

- ☒ When playing back recorded MP4 files with H.265 (HEVC) codec, the video may not play due to a performance issue of the VLC plug-in.

# Setup - Record Setup Recording Video

---



- 1 **Recording Video Viewer** - Play the recorded video.
- 2 **Recording Video Information** - Display information about the recorded video.
- 3 Click 'Replay' to view the recorded video again.
  - Click 'Back' to return to the previous menu.

# Setup - Record Setup

## Storage Configuration

---

### STORAGE CONFIGURATION

**Notice**

1. If SD Card does not automatically mount, you must format for mounting SD card.

#### Storage List

Name	Mounted	Size	Used(%)	Available
SDCard1	O	29.7GB	0%	29.7GB

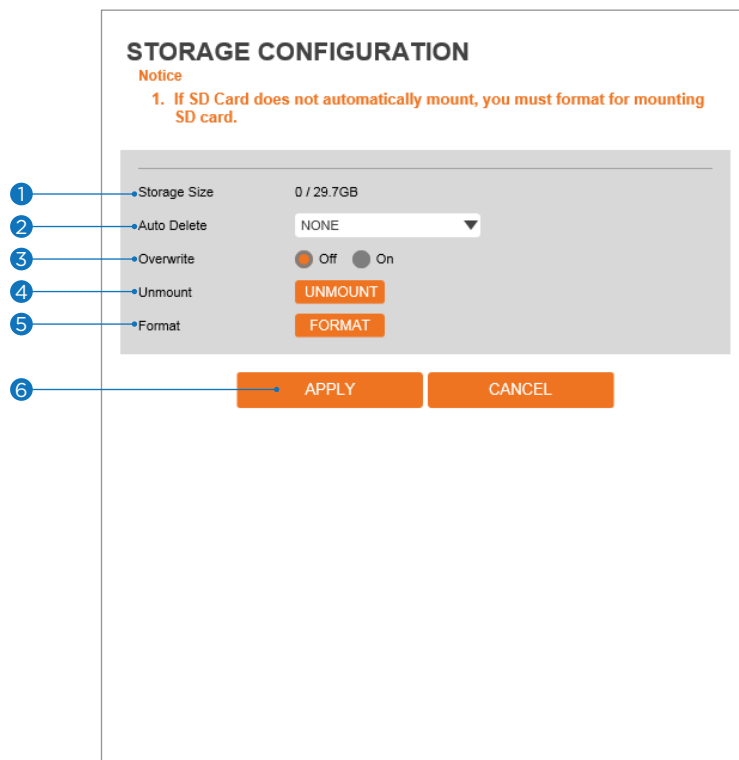
### Display the SD card information mounted on the device.

- ☒ Select an item from the Storage List to configure its related functions.

# Setup - Record Setup

## Storage Configuration

---



- 1 **Storage Size** - Total capacity of SD card and the remainder of it are displayed.
- 2 **Auto Delete** - Select the period for auto delete. The data stored before the set period will be deleted automatically.
  - ⊠ Delete all stored images older than the selected time.
- 3 **Overwrite** - If ON is selected, once the SD card has less than 8MB storage available, new data will start to overwrite the oldest data. If OFF is selected, once the SD card has less than 8MB available, the camera will stop recording to the SD card.
- 4 **Unmount** - Remove the SD card from the device.
- 5 **Format** - Delete all contents stored on the SD card.
- 6 Click 'Apply' to save all settings.
  - ⊠ Click 'Cancel' to return to the previous setting.

# Setup - Security Setup

## IP Address Filter Configuration

---

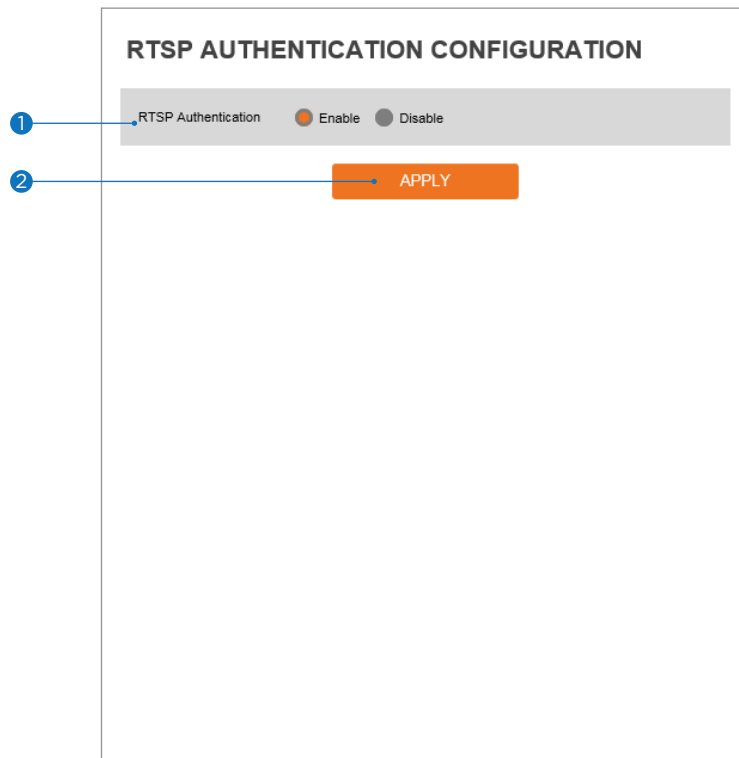
The screenshot shows the 'IP ADDRESS FILTER CONFIGURATION' interface. It is divided into two main sections: 'General Setting' and 'Filtered IP Address'. In the 'General Setting' section, there is a toggle for 'IP Address Filter' (currently set to 'Off'), a dropdown for 'IP Filter Type' (set to 'Allow'), and an orange 'APPLY' button. The 'Filtered IP Address' section contains a list box for 'IP Address' which is currently empty. Below this list box is an input field for 'IP Address' with a placeholder '[ Invalid ]' and two orange buttons: 'ADD' and 'REMOVE'. Six numbered callouts (1-6) point to these specific elements: 1 points to the 'IP Address Filter' toggle, 2 points to the 'IP Filter Type' dropdown, 3 points to the 'APPLY' button, 4 points to the 'Filtered IP Address' list box, 5 points to the 'IP Address' input field, and 6 points to the 'ADD' button.

- 1 **IP Address Filter** - Enable or disable this function.
- 2 **IP Filter Type** - Select the recording IP filter type.
- 3 Click 'Apply' to save all settings.
- 4 **Filter IP Address** - Display the filtered IP address.
- 5 **IP Address** - Define the IP address you want to apply the IP filter.
- 6 Click 'Add' to add the IP address to the list.
  - ⌘ Click 'Remove' to remove the IP address selected in the list.

# Setup - Security Setup

## RTSP Authentication Configuration

---



- 1 **RTSP Authentication** - Enable or disable the RTSP authentication.
- 2 Click 'Apply' to save all settings.

# Setup - Security Setup

## IEEE 802.1X Configuration

---

**IEEE 802.1X CONFIGURATION**

**General Setting**

1 IEEE 802.1x  On  Off

2 Protocol MD5

3 EAPOL Version 1

4 ID

5 Password

6 Retype Password

7 CA Certificate NONE

8 Certificate NONE

9 APPLY

The feature is needed when connecting the camera to the network protected by the IEEE 802.1X.

- 1 **IEEE 802.1x** - Enable or disable the IEEE 802.1x feature.
- 2 **Protocol**
  - MD5: It provides one-way password-based network authentication of the client.
  - PEAP: It is similar to TTLS in that it does not require a certificate on the client-side.
  - TTLS/MD5: It does not require a certificate on the client-side.
  - TLS: It relies on client-side and server-side certificates to perform authentication.
- 3 **EAPOL Version** - Select the EAPOL Version.
- 4 **ID** - Type the ID to identify the client in the IEEE 802.1X authentication server.
- 5 **Password** - Type the Password to identify the client in the IEEE 802.1X authentication server.
- 6 **Verify** - Verify Password.
- 7 **CA Certificate** - Select the CA certificate required for TLS, TTLS and PEAP authentication.
- 8 **Certificate** - Select the client certificate required for TLS authentication
- 9 Click 'Apply' to save all settings.

# Setup - Security Setup

## HTTPS Configuration

---

The screenshot shows the 'HTTPS CONFIGURATION' interface. At the top, there is a note: '1. If no certificates are available go to certificates to manage.' Below this, there are two main sections: 'Certificates' and 'HTTPS connection Policy'. The 'Certificates' section has a 'Certificate' dropdown menu currently set to 'NONE', with a blue circle '1' pointing to it. The 'HTTPS connection Policy' section has three dropdown menus: 'WEB' set to 'HTTP and HTTPS', 'ONVIF' set to 'HTTP', and 'RTSP OVER HTTP' set to 'HTTP', with a blue circle '2' pointing to the 'ONVIF' dropdown. At the bottom of the configuration area is an orange 'APPLY' button, with a blue circle '3' pointing to it.

**HTTPS encrypts session data over SSL or TLS protocols instead of using plain text in socket communications.**

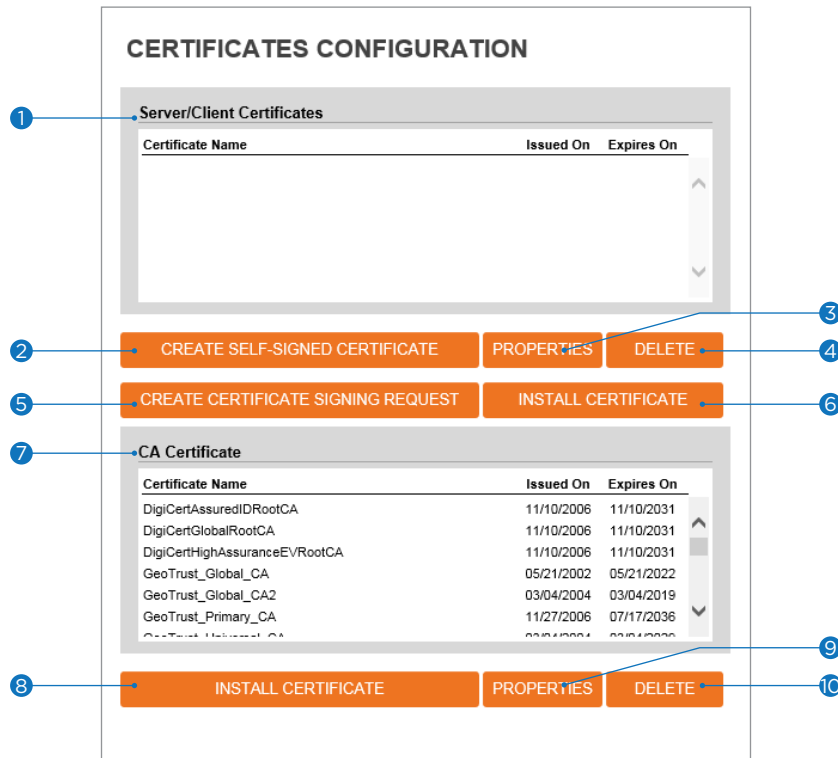
- 1 Certificate** - Select an installed certificate.
  - ⚠ If you cannot select a certificate, please install the certificate from the Security->Certificates menu.
- 2 HTTPS connection Policy** - Select one of "HTTP", "HTTPS", "HTTP and HTTPS" depending on the connected web, ONVIF, RTSP over HTTP.
  - WEB: "HTTP" "HTTPS" "HTTP and HTTPS"
  - ONVIF, RTSP OVER HTTP: "HTTP" "HTTPS" "HTTP and HTTPS"
- 3** Click 'Apply' to save all settings.
  - ⚠ When HTTPS mode is chosen, input `https://<IP Address>` to connect to the camera.



# Setup - Security Setup

## Certificates Configuration

---

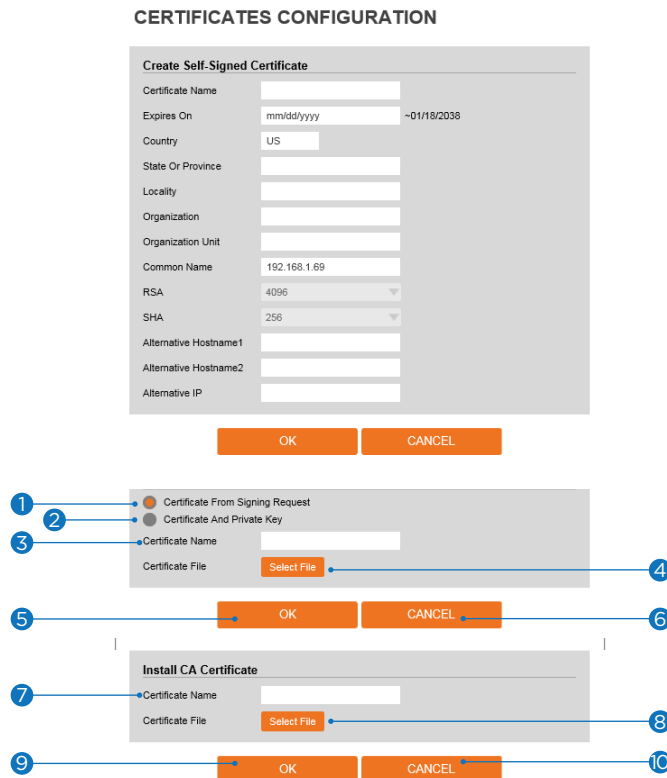


- 1 **Server/Client Certificates** - Shows the installed certificates.
- 2 **Create Self-Signed Certificate** - A self-signed SSL certificate is an identity certificate signed by its creator. But they are considered to be less trustworthy.
- 3 **Properties** - Shows information about the selected certificate.
- 4 **Delete** - Delete the selected certificate.
- 5 **Create a Certificate signing request** - This is the encoded data that contains the necessary information for issuing the certificate.
  - ⚠ They must be filled in when creating the CSR (Certificate Signing Request).
- 6 **Install Certificate** - Install Certification
- 7 **CA Certificate** - Shows the installed CA certificates.
- 8 **Install CA Certificate** - Install Certification, see the detail page.
- 9 **Properties** - Shows information about the selected certificate.
- 10 **Delete** - Delete the selected CA certificate.

# Setup - Security Setup

## Certificates Configuration

---



### Detail for Install Certification.

- 1 **Certificate From Signing Request** - Select to install a signed certificate returned from the CA.
- 2 **Certificate And Private Key** - Select to install Certificate And Private Key to install a certificate and private key.
- 3 **Certificate Name** - Enter a unique name to identify a certificate.
- 4 **Select File** - Choose the certification file.
- 5 **OK** - Request installing a certificate.
- 6 **Cancel** - Cancel install certificate and then back to certificates configuration.

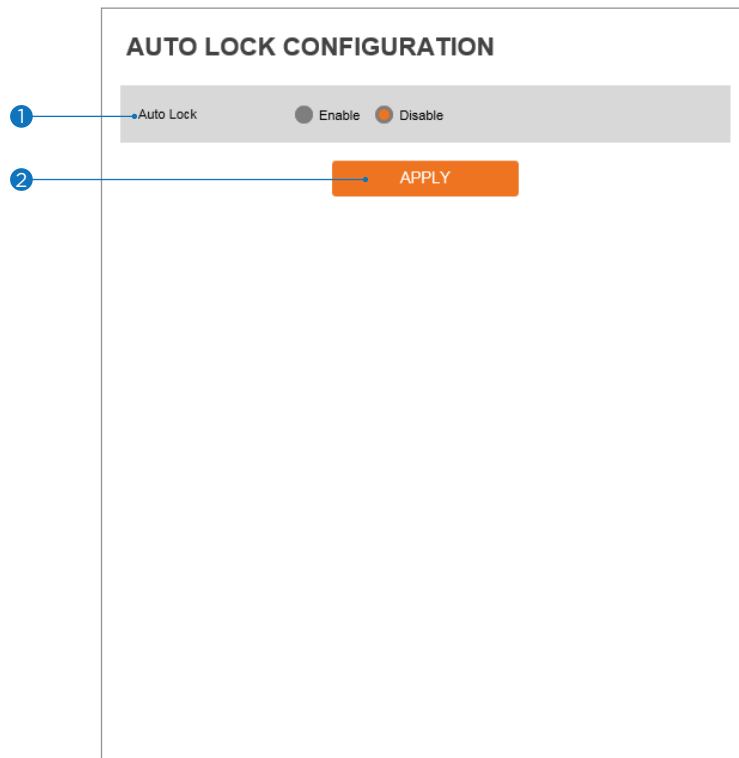
### Detail for Install CA Certification.

- 7 **Certificate Name** - Enter a unique name to identify the CA certificate.
- 8 **Select File** - Choose a CA certification file
- 9 **OK** - Request installing a CA certificate.
- 10 **Cancel** - Cancel installing a CA certificate and then back to certificates configuration.

# Setup - Security Setup

## Auto-Lock Configuration

---



- 1 **Auto Lock** - When enabled, the system will lock itself for five (5) minutes after three (3) failed login attempts.
- 2 Click 'Apply' to save all settings.

# Setup - PTZ Setup

## PTZ Settings

---

**PTZ SETTINGS**

1 **Parking Action**

Mode  Enable  Disable

Wait Time  Seconds(s)[ 5 ~ 14400 ]

Action

Preset

Preset Tour

2 **APPLY**

3 **Power Up Action**

Mode  Enable  Disable

Action

Preset

Preset Tour

4 **APPLY**

5 **AutoFlip & Dzoom**

AutoFlip  Enable  Disable

Digital Zoom  Enable  Disable

6 **APPLY**

- 1 Parking Action** - Enable the camera's parking action. When enabled, adjust the following settings:
  - Wait time: Set the wait time before the camera goes into parking action. Select from 5 seconds to 14400 seconds.
  - Action: Set what action to perform if there is no PTZ operation once the wait time set has passed. Chose to return the camera to the home position, go to a preset, or run a preset tour.
  - Preset: If a preset has been selected as the action, select which preset the camera will go to for parking action. The drop-down menu will show all set presets.
  - Preset Tour: If running a preset tour has been selected as the action, select which tour the camera will run for parking action. The drop-down menu will show all set tours.
- 2** Click the 'Apply' to save all settings.
- 3 Power Up Action** - Enable the camera's power-up action. When enabled, the camera will perform the selected action every time it power cycles. If enabled, adjust the following settings:
  - Action: Set what action to perform if there is no PTZ operation once the wait time set has passed. Chose to return the camera to the home position, go to a preset, or run a preset tour.
  - Preset: If a preset has been selected as the action, select which preset the camera will go to for parking action. The drop-down menu will show all set presets.
  - Preset Tour: If running a preset tour has been selected as the action, select which tour the camera will run for parking action. The drop-down menu will show all set tours.
- 4** Click the 'Apply' to save all settings.
- 5 AutoFlip and Digital Zoom**
  - **AutoFlip:** When enabled, when the camera pans, it will flip the image 180 degrees during movement to keep the camera's image right side up.
  - **Digital Zoom:** Enable digital zoom on the camera's view.
- 6** Click the 'Apply' to save all settings.

# Setup - System Setup

## System Information

---

**SYSTEM INFORMATION**

1 Device Name

2 Location

3

Model Name	NEBR-SLAH2
Manufacturer	3xLOGIC
Max Resolution	1080p
Max Framerate	30 fps
Photo Resistor(CDS)	NOT SUPPORT
Alarm In	SUPPORT
Relay out	SUPPORT
Audio	NOT SUPPORT
Optical Zoom	NOT SUPPORT
Digital Zoom	NOT SUPPORT
PTZ	NOT SUPPORT

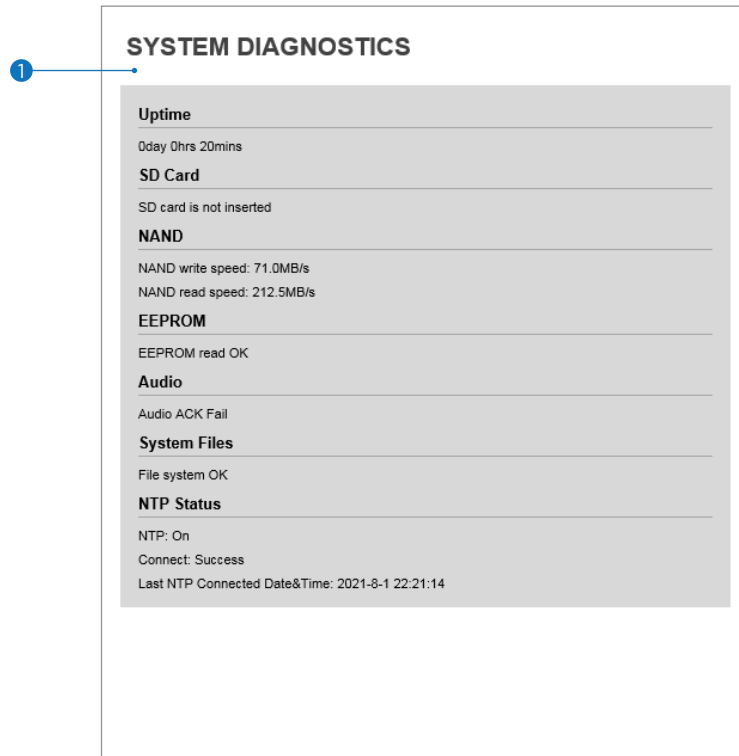
### System Capability information.

- 1 **Device Name** - You can define the device name.
- 2 **Location** - You can define the device's location.
- 3 Click 'Apply' to save all settings.

# Setup - System Setup

## System Diagnostics

---



**Shows basic hardware functions after inspection.**

① Shows Uptime, SD card, NAND, EEPROM, Audio chip, Important file system and NTP Status.

**⚠ Warning:**

If the camera is abnormally terminated, a download button will appear on the diagnostics page to download a file that allows you to check the error information you can.

If you want to download the core dump file , press the Download button

DOWNLOAD

# Setup - System Setup

## Configuration Backup

---

**CONFIGURATION BACKUP**

1 Mode  Download  Upload

2 Backup Key

APPLY

Use this page to import or export the camera settings.

- 1 Select to download or upload camera settings.
  - ⚠ The following settings are NOT included in the backup files: Network (except RTSP information), System > user management, PTZ settings (on PTZ models).
  - ⚠ Download: save the camera's current settings. Check the box next to 'Download', enter a backup key and click APPLY. The backup key can be of any value. Remember the backup key, it will be required when uploading the file.
  - ⚠ Upload: upload configuration settings from another camera. Check the box next to 'Upload'. Enter the backup key for the configuration backup. Click 'Select File' to locate the configuration backup file and select it on your computer. The file name and upload status will appear. Click 'Apply' to start the upload. A popup window will appear when the configuration upload is complete.

### CONFIGURATION BACKUP

Mode  Download  Upload

Backup Key

Select File

pconf\_enc.tar  
Ready to upload.

APPLY

⚠ **NOTE:**  
The configuration backup download is available when accessing the camera directly from the web browser. If accessing the camera from the DW Spectrum IPVMS client, this feature is disabled.

⚠ **Warning:**  
If the camera connection is abnormally terminated, a download button will appear on the diagnostics page to download and check the error information.

- 2 If needed, enter a backup key to identify your backup file.

# Setup - System Setup

## Firmware Update

---

**FIRMWARE UPDATE**

1. Do not power off during update. It may cause fatal system damage.  
2. If Explorer was closed abnormally or a user closed it accidentally while uploading firmware file, please try again after 30 seconds.  
3. Please do not select other menus while updating firmware file.

**1** • **Version Information**

System	2021.08.02_B11.2.2
Camera	-

**2** • **Web update**

Firmware File

**3** •

**FTP user information**

FTP Server Address	<input type="text" value="ftp.dwcc.tv"/>
FTP Port	<input type="text" value="21"/>
User ID	<input type="text" value="dwmpix"/>
Password	<input type="password" value="*****"/>
FTP Upload Path	<input type="text" value="/"/>

**1 Version Information** - It shows the current Firmware Version in the system.

**2 Web Update** - Select the Firmware file on your computer by clicking the [Select file] button.

**3 Start F/W Update** - Click this button to start the update. Progress of uploading will be displayed using Progress Bar. If you assign the wrong file name, an error message will be shown.

**⚠ Warning:**

1. Do not turn off the power to the camera during the firmware update. Interrupting the update may cause the system to become unstable. Once the update is completed, the system will reboot automatically.
2. Make sure to check the 'Notice' shown on the screen.  
If the firmware update is completed successfully, the camera will reboot and show the login window.



# Setup - System Setup

## Date & Time Settings

---

The screenshot shows the 'DATE&TIME SETTINGS' configuration page. It is divided into three main sections: 'Time Zone Setup', 'Time Format', and 'Current Date & Time'. The 'Current Date & Time' section is further divided into 'New Camera Date & Time' with three radio button options: 'Synchronize with my computer', 'Setup manually', and 'Synchronize with time server (NTP)'. Each section has an 'APPLY' button. Numbered callouts (1-7) point to the Time Zone dropdown, the Time Format dropdowns, the Current Date & Time input fields, the 'Synchronize with my computer' radio button, the 'Setup manually' radio button, the 'Synchronize with time server (NTP)' radio button and its NTP Server dropdown, and the final 'APPLY' button at the bottom.

- 1 TimeZone Setup** - Choose the time zone for the camera. It will be activated after clicking the 'Apply' button.  
⚠ Before setting below 'New Camera Date and Time', set the correct time zone first.
- 2 Time Format** - Select the time format yy-mm-dd or mm/dd/yy.
- 3 Current Date and Time** - Current date and time setting in the Camera.
- 4 Synchronize with my computer** - Set the date/time using those of the PC currently connected.
- 5 Setup manually** - Set the date/time by typing manually.
- 6 Synchronize with time sever Time Zone (NTP)** - Choose the time server available to connect to the current camera. Date and Time will be updated automatically every hour when connected.
- 7** Click 'Apply' to save all settings.

# Setup - System Setup

## DST Settings

---

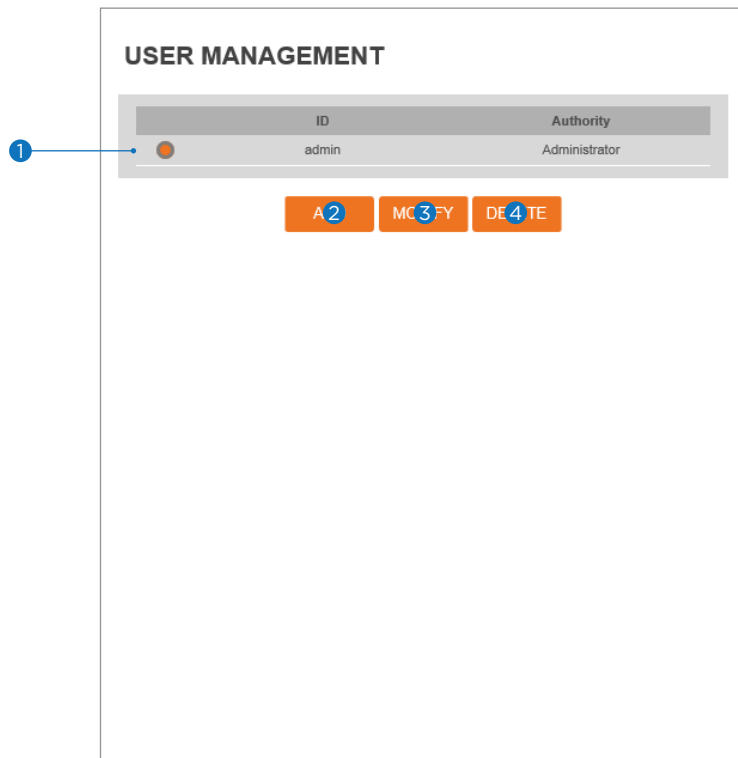
The screenshot shows a web interface for configuring Daylight Saving Time (DST) settings. The page is titled "DST SETTINGS" and is divided into two main sections: "General Setting" and "Date&Time Settings".

- 1** points to the "General Setting" section, which contains a radio button interface with "Off" selected and "On" unselected.
- 2** points to the "Date&Time Settings" section, which contains two rows of dropdown menus. The "Start Time" row is set to "Mar", "Second", "Sun", and "2 o'clock". The "End Time" row is set to "Nov", "First", "Sun", and "2 o'clock".
- 3** points to an orange "APPLY" button located below the settings.

**Daylight Saving Time (DST) is the practice of setting the clocks forward one hour from standard time during the summer months and back again in the fall to make better use of natural daylight.**

- 1 General Setting** - Enable or disable the DST function.
- 2 Date and Time Settings** - Set the start time and end time that the DST applies.
- 3** Click 'Apply' to save all settings.

# Setup - System Setup Users Management



1 **Users** - List all the user accounts for authentication.

2 **Add** - Register a new user.

ID	Enter a new user ID except Admin since it exists.
Password	Enter the user Password. (Check the Password)
Verify	Enter the user Password again for verification.
User Authority	Select Operator or Viewer. Viewer : Only monitoring is allowed. Operator : Most of the functions are allowed except 'Setup'.

## USER MANAGEMENT

- ⊠ The ID and Password are limited to 8 characters with at least two combinations of uppercase letters, lowercase letters, numbers and special characters.  
Acceptable special characters are: ~ ! \$ ^ ( ) \_ - { } [ ] ; . ? /

Click 'Save' to save all settings.

- ⊠ Click 'Cancel' to return to the previous menu.

3 **Modify** - Modify the information of the user accounts registered. For the admin account, only the password can be modified.

4 **Delete** - Delete the selected user account. The admin account cannot be deleted.

# Setup - System Setup

## System Log

---

**SYSTEM LOG**

**1 Filter**

Date 08/02/2021 ~ 08/02/2021

Time 0 0 0 ~ 0 0 0

Type All

Sort Ascending

**2 REFRESH FILTER BACKUP**

**3 List**

Date & Time	Log	IP
08/01/2021 10:42:37pm	RTSP session connected	192.168.4.107
08/01/2021 10:42:36pm	RTSP session connected	192.168.4.107
08/01/2021 10:42:36pm	RTSP session connected	192.168.4.107
08/01/2021 10:42:28pm	RTSP session connected	192.168.4.107
08/01/2021 10:42:28pm	RTSP session connected	192.168.4.107
08/01/2021 10:42:28pm	RTSP session connected	192.168.4.107
08/01/2021 10:42:20pm	RTSP session connected	192.168.4.107
08/01/2021 10:42:19pm	RTSP session connected	192.168.4.107
08/01/2021 10:42:19pm	RTSP session connected	192.168.4.107

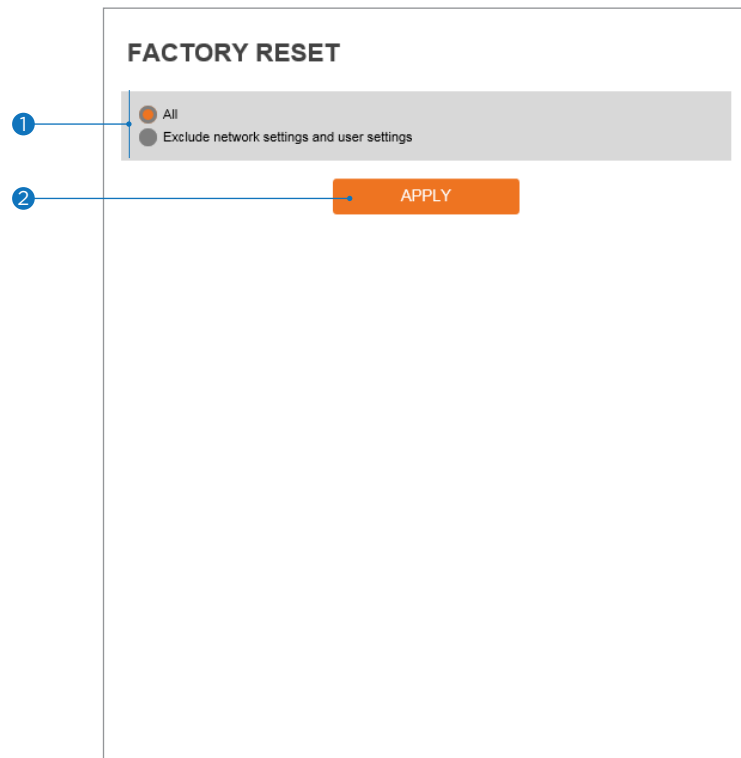
1 2 3 4 5 6 7 8 9 10

- 1 Filter** - Select a date, time, sort, or type of log to filter the log.
- 2** Click the 'Refresh' button to refresh the log list.
  - Click 'Filter' to view the filtered log.
  - Click 'Backup' to back up the filtered log.
- 3 System Log List** - The filtered log is displayed.

# Setup - System Setup

## Factory Reset

---



- 1 **Reset to the factory defaults** - Return the setup to the factory default.

---

**All** - Reset all Settings to the factory defaults.

---

**Except Network Settings and User Settings** - Reset all camera settings to factory default except for the network settings.

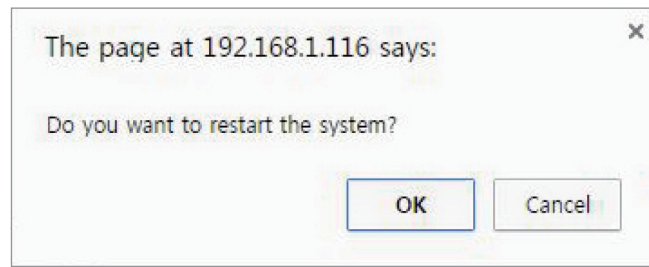
---

- 2 Click 'Apply' to save all settings.

# Setup - System Setup

## Restart

---



**If you click the 'RESTART' menu, a message box will be shown to confirm. Click the 'OK' button to restart.**

# Setup - System Setup

## System Open Source License

---

**SYSTEM OPEN SOURCE LICENSE**

Open Source Name	Version	License
busybox	1.32.0	GPLv2
alsa-lib	1.1.6	GPLv2.1
libglib2	2.52.3	LGPLv2
libgnutls	3.6.2	LGPLv2.1
libjson-c	0.13.1-20180305	JSON License
libcurl	7.66.0	MIT/X derivate License
libffi	3.1	MIT License
libgcrypt	1.6.1	LGPLv2.1
libnl	3.4.0	LGPLv2.1
libogg	1.3.2	BSD-style License
libsamplerate	0.1.8	GPLv2
libselinux	2.7	Public domain
libsndfile	1.0.27	LGPLv2.1
libssh2	1.9.0	BSD
libtasn1	4.13	GPLv3

**This menu shows a list of all the System Open Source License information in the camera, including Open Source Name, Version, License, etc.**

# Network Setup - Quick Start of Network Connection

---

## Follow the steps below to complete the initial network setup.

- i** Do not power on the IP camera until instructed.
- i** Temporarily disable any proxy servers configured in Internet Explorer.
- i** If connecting the IP camera directly to a modem, power down and reset the modem. Leave the modem powered down until the camera's configuration is complete and the IP Camera has been connected to the modem.

- 1 Connect the IP camera to the configured network.
- 2 Open the DW IP Finder on a PC on the same network as the camera and search for the camera.

- i** If you have a DHCP server, it will automatically set the camera's IP address and network settings.
- i** If you do not have a DHCP server, the camera's IP address is set by default to 192.168.1.80 after one minute. In this case, the PC's IP address must be changed to match the camera's IP address settings to be able to access the camera.

- 3 If multiple cameras are added at the same time, each camera can be identified by its mac address.
- 4 Click on the camera's IP address and connect to the web page.
- 5 Default ID/password are both: admin.
- 6 Familiarize yourself with the viewer interface.
- 7 Install VLC to display live video.
- 8 The camera's IP address settings can be set to 'STATIC' from the DW IP Finder or the camera's web viewer by going to Setup -> Network -> Network Settings.
- 9 If the IP camera is connected to a network with a router, you must have port forwarding configured on your router to access the camera from outside the network.
- 10 After configuring port forwarding on your router (if necessary), access your IP camera by opening Internet Explorer and typing the IP address and web port assigned to the IP camera.

- i** Example: <http://192.168.0.200:8888>
- i** If your web port is 80, you do not need to specify the port in the address bar to access to your IP camera.

- 11 Access your IP Camera via the Internet (from a different network from the one your camera is):

---

If you use a static IP address assigned by your ISP:

1. Open Internet Explorer.
2. Type the address of the IP camera.
3. If you use a router, enter the routers' static IP and the web port number of the IP camera.

---

If you have a dynamic address provided by your ISP

1. Open Internet Explorer and go to your DDNS website.
  2. Register the IP camera.
  3. Reboot the IP camera.
  4. Give the DDNS server 10 minutes to locate your IP camera's IP information.
  5. Click the refresh button in Internet Explorer.
  6. After your camera is connected, select your camera.
-



# Network Setup - DDNS Registration

---

**If you have a DYNAMIC IP service from your Internet Service Provider (ISP), you cannot tell the current IP address of the IP Camera. To solve this problem, you must register with our DDNS service.**

**First, you must check if you are using dynamic addressing. If so, register your IP Video Server on our DDNS website before you configure, setup, or install the IP Camera.**

**Even though your IP is not dynamic, you will benefit by registering your device with a DDNS service. In this case, just remember 'hostname.dyndns.com/gate1' instead of a complicated series of numbers like `http://201.23.4.76:8078`.**

**For more details, contact our Support Center.**

✘ To use a public DDNS called 'DynDNS' or 'no-IP', refer to the detailed information on how to use the service. (Visit: <http://www.dyndns.com> or <http://www.no-ip.com>)

# Network Setup - Guide to the Network Environment

**Please configure the IP Camera at the installation site. You must determine your network scenario to configure the IP Camera with the proper TCP/IP settings.**

**This tutorial will guide you through the process. Before actually configuring the IP Camera, determine settings to be applied. Record those settings to be used to configure your IP Camera for reference.**

**When configuring your IP Camera, treat the IP Camera as another PC on your network. You will assign it to several addresses and other TCP/IP properties to match your current network.**

**This step-by-step tutorial will teach what IP addresses and network configurations should be assigned based on the network scenario.**

- 1 Before you begin, locate any information and settings received from your Internet Service Provider (ISP). You may need to refer to these IP addresses at a later time during the configuration.

Current TCP/IP Settings	
IP Address	
Subnet Mask	
Default Gateway	
Primary DNS Server	
Secondary DNS Server (Option)	
Static <input type="checkbox"/> Dynamic <input type="checkbox"/>	

**i** If you were not given any IP addresses or the ISP was responsible for the setup and installation of your Internet connection, go to step 2.

**i** If you are not using a router on your network, your 'Current TCP/IP Settings' (from the previous section) and 'Assigned IP Addresses from My ISP' will be exactly the same.

- 2 You must determine whether the IP address is STATIC or DYNAMIC. Contact your ISP to get a STATIC IP address for the camera.
- 3 Configure your IP Camera's TCP/IP settings for network connectivity by selecting Setup from the main interface and selecting TCP/IP located on the left of the setup screen.

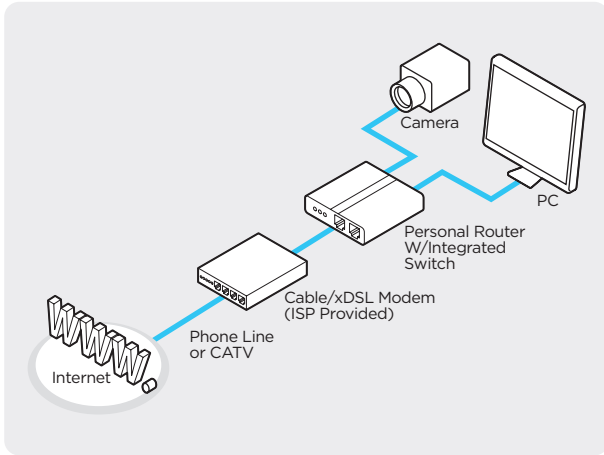
- 4 If prompted for ID and password, use 'admin' for both entries. The default web port number is 80. If port 80 is blocked by the ISP, use a value between 1025 - 60000. If TCP port 80 is blocked, contact your ISP.

- 5 The following descriptions are several basic network scenarios. Determine which scenario describes your network. If your network does not match one of the scenarios below and you are unsure how to setup your IP camera, contact your network administrator.

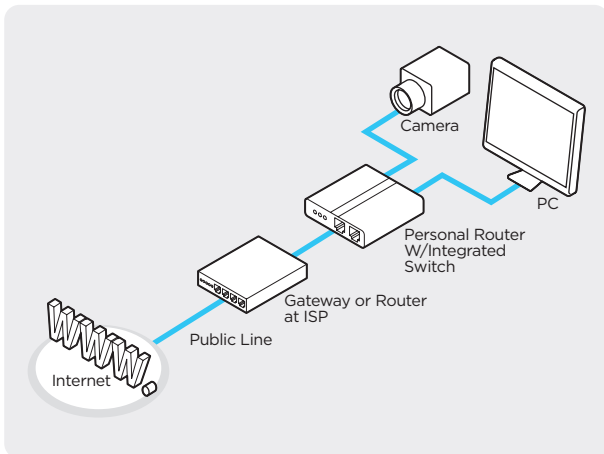
**i** You cannot control the rectangular gray areas and only the ISP has access to the devices.

# Network Setup - Setup Case A, B

## Case A: Dynamic IP + Personal Router [Most SOHO]



## Case B: Static(Fixed) IP + Personal Router [Efficient]



## Configure your IP Camera's TCP/IP properties:

1 Network Type: STATIC (even though you have Dynamic IP from your ISP, use STATIC on the IP camera).

2 Internet Address: A private IP address such as 192.168.0.200 (example)

**i** You need to assign an IP address to the IP Camera just as you do with PC.

**i** The IP address you assign must be unique to your network and match your network as well.

For information on how to choose a unique IP and match your network, read the FAQ.

**i** The IP address you assign must be a private IP. For information on how to choose a private IP please, read the FAQ.

3 Subnet Mask: 255.255.255.0 (example)

**i** You must use the same subnet mask as the one you noted under 'Current TCP/IP Settings'.

4 Default Gateway: 192.168.0.1 (example)

**i** This IP address must be the IP address of your router. (private or LAN side)

**i** Use the same Default Gateway you noted under 'Current TCP/IP Settings'.

5 Preferred DNS Server: Use the 1st DNS Server from 'Assigned IP Address from My ISP'.

**i** If you did not receive any IP addresses from your ISP, contact the ISP and acquire the IP address of their DNS server.

6 DDNS Server: Use the DDNS server.

**i** This is the same site you will register later to accommodate dynamic IP from your ISP.

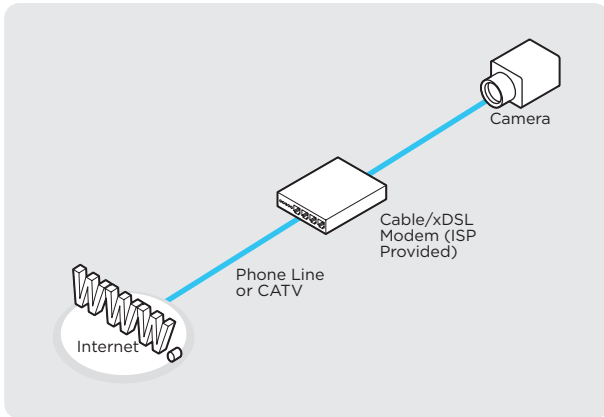
7 Web Port: 8888

**i** Do not use the default port 80 as this number must be changed.

**i** Select a number between 1025 - 60000.

# Network Setup - Setup Case C, D

## Case C: Static(Fixed) IP [Dedicated line directly to the IP Camera]



### Configure your IP Camera's TCP/IP properties:

- 1 Network Type: STATIC
- 2 Internet Address: A static IP address received from your ISP such as 24.107.88.125 (example)

**i** You need to assign an IP address to the IP Camera just as you do with PC.

- 3 Subnet Mask: Subnet mask assigned from your ISP such as 255.255.255.240 (example)
- 4 Default Gateway: 24.107.88.113 (example)

**i** Use the assigned default gateway from your ISP.

- 5 Preferred DNS Server: Use the 1st DNS Server from 'Assigned IP Address from My ISP'

**i** If you have not received any IP addresses from your ISP, contact them to acquire the IP address of their DNS server.

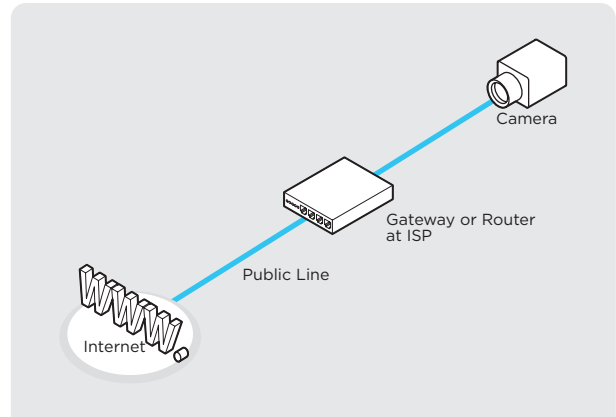
- 6 DDNS Server: Use the DDNS server

**i** This is the same site you will register later to utilize our DDNS service.

- 7 Web Port: 80

**i** Select a number between 1025 - 60000.

## Case D: Dynamic IP + DSL/Cable Modem [Connected directly to the IP Camera]



**i** To connect the IP Camera directly to a modem, power down and reset the modem. Leave the modem powered down until the IP camera's setup is completed and the IP camera has been connected to the modem. Then power on the modem, followed by the IP camera.

### Configure your IP Camera's TCP/IP properties:

- 1 Network Type: DYNAMIC
- 2 DDNS Server: Use the DDNS server

**i** This is the same site you will register later to accommodate dynamic IP from your ISP.

- 3 Web Port: 80

**i** Select a number between 1025 - 60000.

# Network Setup - Port Forwarding

---

**After entering the correct TCP/IP settings, you are ready for 'Port Forwarding' (Cases A, B).**

- 1 Use the table below to note your camera's TCP/IP settings for future reference. You may need this information to access your IP Camera and to configure 'port forwarding'.

IP camera TCP/IP settings	
IP address	
Subnet mask	
Default gateway	
Preferred DNS server	
DDNS server	
Web port	

- 2 After clicking 'Apply', the system will prompt for a reboot. Please allow the system 50 seconds to reboot and accept the changes. After 50 seconds, close the configuration screen. The view will display 'Trying to Reconnect'.  
If the ACTIVE light on the IP Camera has gone off and is now back on again flashing, the IP Camera has rebooted. After the system reboots completely, remove the power supply from the unit and close Internet Explorer.
- 3 Return your PC/Laptop TCP/IP properties to their original settings.
- 4 Before installing the IP camera, you must perform port forwarding on your router (Cases A, B).  
You will need to forward 1 port:
  - Web Port: All the ports will be forwarded to the IP address you assigned to the IP Camera.  
In the example above, you would forward:
    - 8888 > 192.168.0.200

# Network Setup - Starting IP Camera

---

**After forwarding correctly the Web Port, through your router (if applicable), install the IP Camera in a proper location.**

- 1 Locate the serial number located on the label attached to the bottom of the IP camera, you will need this for DDNS registration.
- 2 Connect the IP Camera to your router or cable/DSL modem (per your network scenario) via a Cat5/5e UTP Ethernet network cable.
- 3 Supply power to the IP camera.
- 4 After 1 minute, verify the IP camera indicators:
  - LINK: Flickering/Solid
- 5 After configuring port forwarding on your computer (if necessary), access your IP camera on your local network by opening Internet Explorer and specifying the IP address and web port assigned to the IP camera.

**i** Examples: <http://192.168.0.200:8888> or <http://24.106.88.123>

**i** If you left your web port as 80, you do not need to specify the port in the address bar to access the IP camera.

- 6 Access your IP camera via the Internet :

---

If you use cases B, C:

1. Open Internet Explorer.
2. Type the address of the IP camera.
3. If you use a router, enter the routers' static IP and the web port number of the IP camera.

---

If you use cases A, D:

1. Open Internet Explorer and go to your DDNS website.
2. Register the IP camera.
3. Reboot the IP camera.
4. Give the DDNS server 10 minutes to locate your IP camera's IP information.
5. Click the refresh button in Internet Explorer.
6. After your camera is connected, select your camera.

**i** The difference between B and C is that B needs to set the port forwarding.

**i** Since the type of DDNS differs from the service type, refer to the related service site.

# Appendix

## FAQ

---

### 1. My POWER light is not on?

Power is not being supplied to the unit. Please use the power supply shipped with the unit and verify that a power source is active from the attached power outlet used to connect the adapter. You can test this by plugging in any other electrical device and verify its operation. After using the power supply shipped with the product, check the power source and reinserting the power connector into the IP Camera, please call our Support Center. The power supply may be defective.

### 2. My ACTIVE light is not flashing?

Verify the power supply to the unit. Power off the unit and back on again, wait 1 minute, if the ACTIVE light still does not begin to flash, you will have to set the unit to its factory default (THIS WILL DELETE ANY CONFIGURATION AND SET THE UNIT TO THE FACTORY DEFAULTS). Power on the unit and insert the end of a paper clip into the small recessed opening on the back of the unit. Use the clip to press the button located within that opening.

### 3. My LINK light is not flashing or solid?

Verify the cable connection. 99% of the time the cable's connection to the unit is causing this problem. Try using a different network cable or crossover cable (for PC connection only). Try reinserting the cable, if this still doesn't solve the problem call our Support Center.

### 4. I can access the video server on my LAN, but not from the Internet.

Verify that your router (if applicable) has port forwarding properly configured. If accessing from our DDNS service, verify the correct serial number. Firewall issues may prevent user access.

### 5. How do I open an MS-DOS or Command Prompt?

Start > (All) Programs > Accessories > Command Prompt

### 6. How do I find out my IP address information if my settings were automatically detected?

1) Open a Command Prompt  
2) At the prompt type - "ipconfig / all" (without the quotes)  
3) Near the end of the information supplied, should be your current IP address, subnet mask, default gateway and DNS servers

### 7. I can't connect!!

In the case of a connection failure.  
Modem Reboot > Modem Reboot Finished > Router Reboot > Router Reboot Finished > IP Camera Reboot > IP Camera Reboot Finish > Verify DDNS and IP Camera connection, if applicable.

### 8. How do I "PING" an IP address?

1) Open an MS-DOS (or Command) prompt  
2) At the prompt type - "ping xxx.xxx.xxx.xxx" (without the quotes and replace the "x" s with an IP address)  
3) Press Enter

### 9. I'm accessing my video server remotely over the Internet and the video stream is choppy, is this normal?

Yes. The frames per second received remotely are determined by your bandwidth capabilities both at your site where the IP Camera is installed and your remote location. The lower of the two sites will determine how fast your video stream is received. It is recommended to have at least a 256Kb/sec upstream connection from the site where the IP Camera is installed. Lower speeds will operate properly but provide poor remote performance. The Faster the Internet connection at both ends, the faster the video stream.

### 10. How do I enable or check VLC on my browser

---

Internet Explorer

Open Internet Explorer > Tools on the menu bar > Internet Options > Security Tab > Custom Level > Scroll down and verify that you are prompted or have enabled plug-ins to be downloaded and executed. > click OK > restart browser.

---

Chrome

Open Chrome > Chrome menu settings > Advanced settings > Individual information - content settings > Run automatically

---

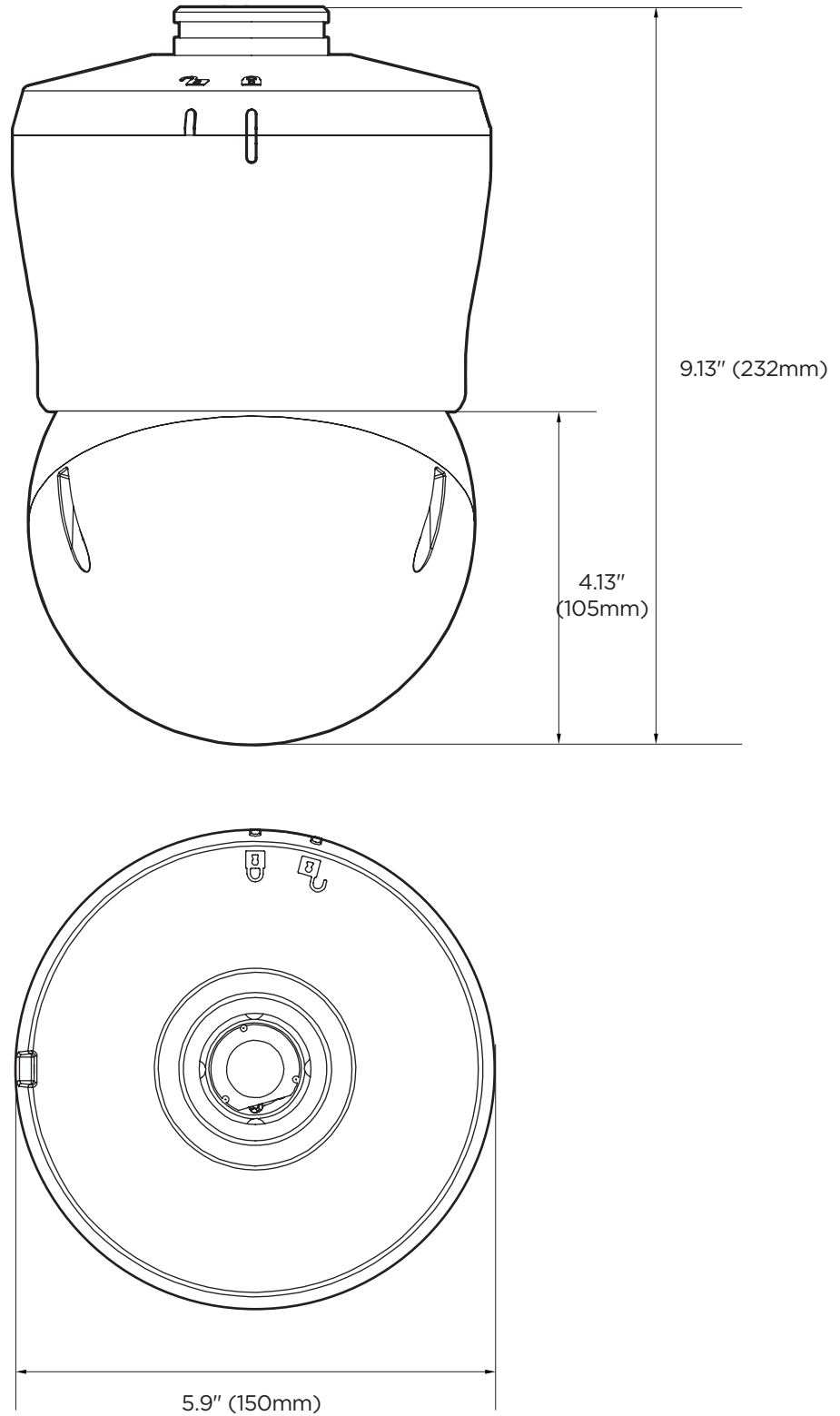
### 11. How do I reset the unit to factory defaults?

Refer to the previous functions page and find the reset button. Power ON the unit and use a paper clip to push the reset button within that opening. You should then see the ACTIVE light turn off and after a few seconds, the ACTIVE light will begin to flash, signifying a successful reboot. If the ACTIVE light does not turn off after depressing the reset button, please try holding the button in for a few seconds and releasing it. YOU WILL LOSE ALL DATA THAT HAD BEEN ENTERED PREVIOUSLY AND THE IP CAMERA WILL BE SET TO ITS FACTORY RESET.

# Specifications - Dimension

---

Unit: inches (mm)





# Specifications - Technical

CAMERA	
Image sensor	1/3" 2.55M CMOS
Total pixels	1982(H) X 1288(V)
Focal length	4.3 ~ 129mm, F1.6 ~ F4.7, auto focus module
Horizontal angle	D: 2.64° ~ 72.9° H: 2.34° ~ 65.1° V: 1.36° ~ 38.4°
Shutter speed	Auto, manual (1/30(25) ~ 1/30000), anti-flicker, slow shutter (2X, 4X, 8X)
MIN. illumination	0.05 lux, 0 lux with IR (F1.6)
IR	H6IR, 200ft
Day & night	TDN (true day and night)
WDR	WDR (HDR)
Pan / tilt / zoom	Pan: 360° Tilt: -5° ~ 90° Zoom: x30
DNR	3D-DNR
Privacy zones	16 programmable zones
AGC	Auto
Other image processing	Configurable exposure, white balance, sharpness, backlight compensation (BLC)

PTZ FUNCTIONS	
Pan range	360° endless
Pan speed	Max 360°/1sec
Tilt range	5-90°
Tilt speed	Max 360°/1sec
Preset	255
Tour	10
Home function	Yes (parking action)

I/O AND EVENT	
Audio in/out	1 (1.0Vrms, 3kΩ) / 1
Alarm in/out	1 / 1
Video output (2 <sup>nd</sup> test video out)	1 / 9CVBS 1.0V p-p 75Ω, 4:3 aspect ratio
Event Notification	Notifications via email, FTP server, alarm output activation or SD card recording.

ENCODER (VIDEO AND AUDIO)	
Video compression	H.264, H.265, MJPEG
H.264 profile	MP / HP
H.265 profile	MP
Multiple profile streaming performance	1920x1080p30 + 480p30 with H.264, H265 + MJPEG
Video bitrate	100kbps ~ 10Mbps, multi-rate for preview and recording
Bitrate control	Multistreaming CBR/VBR at H.264, H.265 (controllable frame rate and bandwidth)
Edge storage	Micro SD, micro SDHC, micro SDXC

SECURITY AND NETWORK	
Network protocol	IPv4: TCP/IP, UDP, AutoIP, RTP(UDP/TCP), RTSP, NTP, HTTP, HTTPS, SSL, DNS, DDNS, DHCP, FTP, SMTP, ICMP, SNMPv1/v2/v3 (MIB-2), ONVIF
Security	HTTPS (TLS), IP filtering, 802.1x, digest authentication (ID/PW)
Plug-in	CGI, API, ONVIF

GENERAL	
Power requirements	PoE IEEE 802.3bt class5 (PoE injector included), DC24V, AC24V
Power consumption	DC24V: 40W, 1666mA AC24V: 35W, 1485mA PoE: 42W, 1750mA
Temperature	-4°F ~ 122°F (20°C ~ 50°C)
Humidity	10-90% RH (non-condensing)
Material	Aluminum Die-casting
Dimensions	5.9" x 9.13" (150 x 232mm)
Weight	6.17 lbs (2.8 Kg)
Certification	FCC, CE, ROHS, IP66, IK10

# Warranty Information

---

**Digital Watchdog** (referred to as “the Warrantor”) warrants the Camera against defects in materials or workmanship as follows:

**Labor:** For the initial five (5) years from the date of the original purchase if the camera is determined to be defective, the Warrantor will repair or replace the unit with the new or refurbished product at its option, at no charge.

**Parts:** Also, the Warrantor will supply replacement parts for the initial two (2) years.

To obtain warranty or out of warranty service, please contact a technical support representative at:

1+ (866) 446-3595, Monday through Friday from 9:00 AM to 8:00 PM EST.

A purchase receipt or other proof of the date of the original purchase is required before warranty service is rendered. This warranty only covers failures due to defects in materials and workmanship which arise during normal use. This warranty does not cover damages that occurs in shipment or failures which are caused by products not supplied by the Warrantor or failures which result from accident, misuse, abuse, neglect, mishandling, misapplication, alteration, modification, faulty installation, setup adjustments, improper antenna, inadequate signal pickup, maladjustments of consumer controls, improper operation, power line surge, improper voltage supply, lightning damage, rental use of the product or service by anyone other than an authorized repair facility or damage that is attributable to acts of God.

# Limits and Exclusions

---

There are no express warranties except as listed above. The Warrantor will not be liable for incidental or consequential damages (including without limitation, damage to recording media) resulting from the use of these products, or arising out of any breach of the warranty. All express and implied warranties, including the warranties of merchantability and fitness for a particular purpose, are limited to the applicable warranty period set forth above.

Some states do not allow the exclusion or limitation of incidental or consequential damages or limitations on how long an implied warranty lasts, so the above exclusions or limitations may not apply to you. This warranty gives you specific legal rights and you may also have other rights from vary from state to state.

If the problem is not handled to your satisfaction, then write to the following address:

Digital Watchdog, Inc.  
ATTN: RMA Department  
16220 Bloomfield Ave  
Cerritos, CA 90703

Service calls which do not involve defective materials or workmanship as determined by the Warrantor, in its sole discretion, are not covered. Cost of such service calls are the responsibility of the purchaser.



*Complete Surveillance Solutions*

DW® East Coast office and warehouse: 5436 W Crenshaw St, Tampa, FL USA 33634  
DW® West Coast office and warehouse: 16220 Bloomfield Ave, Cerritos, CA USA 90703

PH: 866-446-3595 | FAX: 813-888-9262

[www.Digital-Watchdog.com](http://www.Digital-Watchdog.com)

[technicalsupport@dwcc.tv](mailto:technicalsupport@dwcc.tv)

Technical Support PH:

USA & Canada 1+ 866-446-3595

International 1+ 813-888-9555

French Canadian: + 1-904-999-1309

Technical Support hours: Monday-Friday 9 a.m. to 8 p.m. Eastern Time