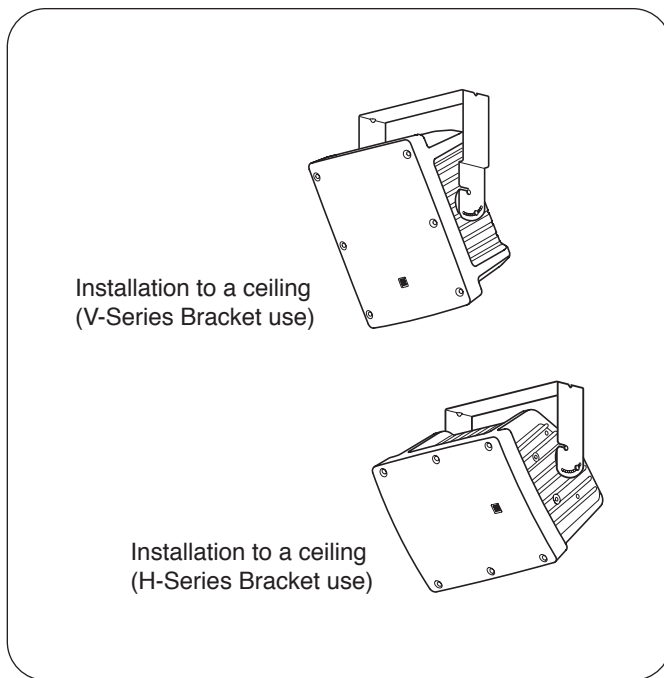


MOUNTING BRACKETS


V-Series Mounting Brackets

HY-1200VB
HY-1200VW
HY-1500VB
HY-1500VW

H-Series Mounting Brackets

HY-1200HB
HY-1200HW
HY-1500HB
HY-1500HW

TABLE OF CONTENTS

1. SAFETY PRECAUTIONS	2	5. INSTALLING ON A WALL	10
2. GENERAL DESCRIPTION	3	6. DIMENSIONAL DIAGRAMS	14
3. SAFETY WIRE INSTALLATION (For speaker fall prevention)	4	7. SPECIFICATIONS	16
4. INSTALLING TO A CEILING	4	Accessories	16
		Optional products	16

Thank you for purchasing TOA's Mounting Bracket.
Please carefully follow the instructions in this manual to ensure long, trouble-free use of your equipment.

1. SAFETY PRECAUTIONS

- Before installation or use, be sure to carefully read all the instructions in this section for correct and safe operation.
- Be sure to follow all the precautionary instructions in this section, which contain important warnings and/or cautions regarding safety.
- After reading, keep this manual handy for future reference.

Safety Symbol and Message Conventions

Safety symbols and messages described below are used in this manual to prevent bodily injury and property damage which could result from mishandling. Before operating your product, read this manual first and understand the safety symbols and messages so you are thoroughly aware of the potential safety hazards.



WARNING

Indicates a potentially hazardous situation which, if mishandled, could result in death or serious personal injury.

When Installing the Unit

- Install the unit only in a location that can structurally support the full weight of the unit and speaker. Doing otherwise may result in the unit falling down and causing personal injury and/or property damage.
- Since the unit is designed for in-door use, do not install it outdoors. If installed outdoors, the aging of parts causes the unit to fall off, resulting in personal injury.
- Owing to the speaker's size and weight, be sure that at least two persons are available to install the speaker. Failure to do so could result in personal injury.
- Do not use other methods than specified to mount the bracket. Extreme force is applied to the unit and the unit could fall off, possibly resulting in personal injuries.
- Use nuts and bolts that are appropriate for the ceiling's or wall's structure and composition. Failure to do so may cause the speaker to fall, resulting in material damage and possible personal injury.
- Tighten each nut and bolt securely. Ensure that the bracket has no loose joints after installation to prevent accidents that could result in personal injury.
- Use the specified speaker in combination. Doing otherwise may cause the speaker to fall off, resulting in personal injury.
- Do not mount the unit in locations exposed to constant vibration. The mounting bracket can be damaged by excessive vibration, potentially causing the unit to fall, which could result in personal injury.
- Do not install the unit in indoor swimming pools or such locations where corrosion may occur easily. The parts deteriorate if corroded, causing the unit to fall, which could result in personal injury.



CAUTION

Indicates a potentially hazardous situation which, if mishandled, could result in moderate or minor personal injury, and/or property damage.

When Installing the Unit

- Avoid touching the unit's sharp metal edge to prevent injury.

When the Unit is in Use

- Do not stand or sit on, nor hang down from the unit as this may cause it to fall down or drop, resulting in personal injury and/or property damage.
- Have the unit checked periodically by the shop from where it was purchased. Failure to do so may result in corrosion or damage to the speaker or the unit that could cause it to fall, possibly causing personal injury.

2. GENERAL DESCRIPTION

These H- and V-Series Mounting Brackets are designed exclusively to mount the HS series speaker system to a ceiling or wall.

The HY-1200VB, HY-1200VW, HY-1500VB and HY-1500VW (V-Series Mounting Brackets) are for vertical speaker installation, while the HY-1200HB, HY-1200HW, HY-1500HB and HY-1500HW (H-Series Mounting Brackets) are for horizontal speaker installation.

They allow speaker's vertical angle to be adjusted*. They also permit speaker's horizontal angle to be adjusted in conjunction with the optional HY-C0801/HY-C0801W Ceiling Mount Bracket, or HY-W0801/HY-W0801W Wall Mount Bracket.

* Below is the adjustable angle range with reference to the horizontal axis (0°).

[In the case of ceiling installation]

H-Series Brackets: 0° to 90° downward

V-Series Brackets: 15° upward to 90° downward

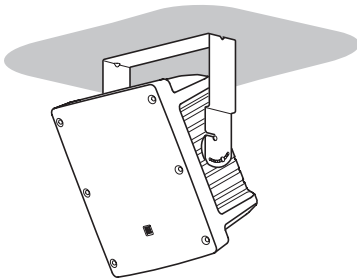
[In the case of wall installation]

H- and V-Series Brackets: 15° upward to 60° downward

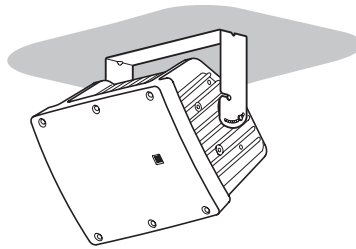
(a) Examples of ceiling installation

For the installation procedures, refer to p. 4, "Installing to a ceiling."

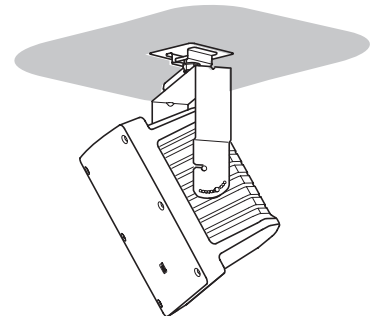
When the V-Series Mounting Bracket is used



When the H-Series Mounting Bracket is used



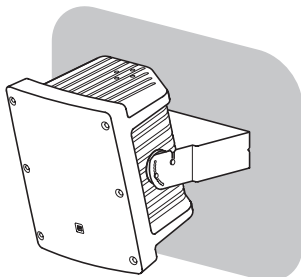
When the V-Series Mounting Bracket is used with an optional Ceiling mount bracket



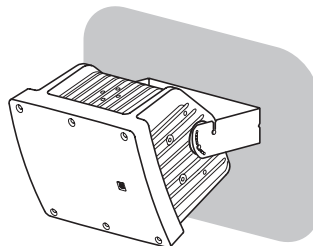
(b) Examples of wall installation

For the installation procedures, refer to p. 10, "Installing on a wall."

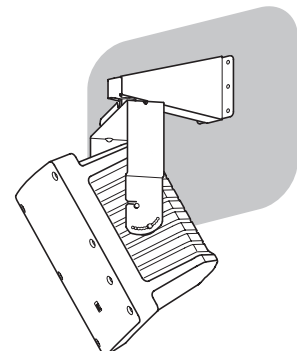
When the V-Series Mounting Bracket is used



When the H-Series Mounting Bracket is used



When the V-Series Mounting Bracket is used with an optional Wall mount bracket



3. SAFETY WIRE INSTALLATION (For speaker fall prevention)

When mounting the speaker system to the ceiling or wall, install a safety wire as needed.

⚠ WARNING

When installing the safety wire, be sure to follow the instructions below. Failure to do so may cause the speaker to fall off, resulting in personal injury.

- Use a wire rope of 2 mm (0.08") or more in diameter. (The safety wire is not supplied.)
- Tighten the safety wire to take up the slack. Otherwise, impact shock at speaker fall may cause the wire-connected parts or wire itself to break.
- Install the safety wire to a place that can structurally support the full weight of load.
- Screw a speaker suspension bolt (M8) into one of the screw holes on the speaker's bottom surface. Then, connect the safety wire to the bolt.

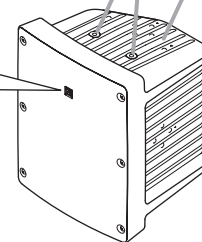
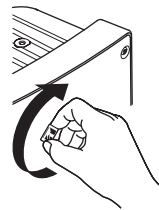
Installation position of an M8 bolt
M8 (Screw pitch: 1.25 mm, effective depth: 24 mm)

Note: Unified inch screws cannot be used.

Speaker's bottom surface

Changing the orientation of the front panel logo

Turn the logo mark while holding its edges to change its orientation.



4. INSTALLING TO A CEILING

The brackets to be used are as follows.

For vertical speaker installation: V-Series Mounting Brackets (HY-1200VB, HY-1200VW, HY-1500VB and HY-1500VW)

For horizontal speaker installation: H-Series Mounting Brackets (HY-1200HB, HY-1200HW, HY-1500HB and HY-1500HW)

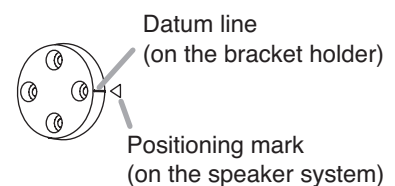
The example here shows the installation procedure of the mounting bracket using the HS-1200 series speaker system.

4.1. Using the H- or V-Series Mounting Bracket Only

Step 1. Attach the supplied bracket holder to the speaker.

Fix the bracket holder using the supplied 2 screws (M6 x 20) after aligning its datum line with the positioning mark (\triangle) on the speaker system.

Follow the same installation procedure to the other side.

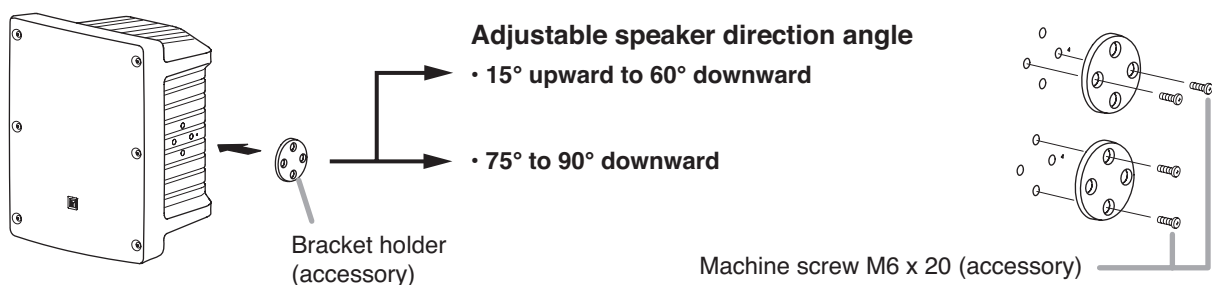


Note

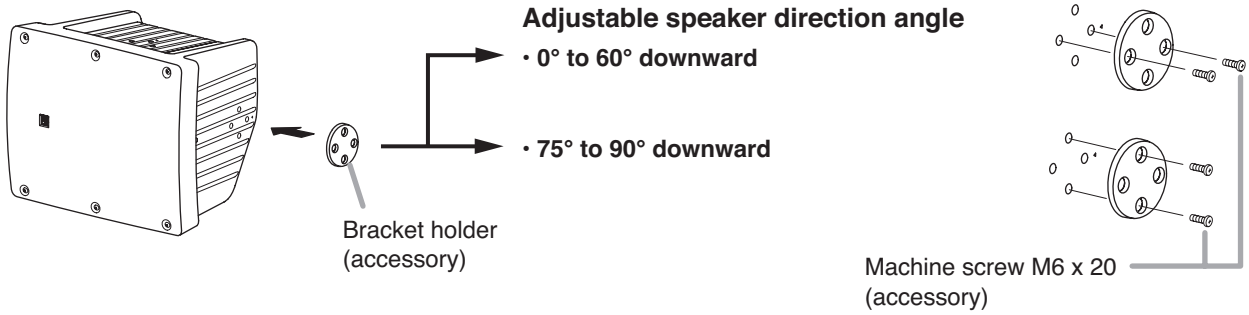
The screw tightening positions differ depending on the speaker's vertical angle as shown below. The angle is given with reference to the horizontal axis (0°).

1-1. For vertical speaker installation (V-Series Mounting Bracket)

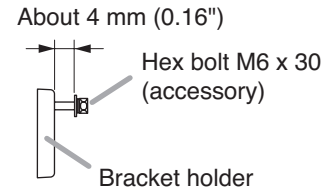
Speaker direction angle can be adjusted from 15° upward to 90° downward.



- 1-2.** For horizontal speaker installation (H-Series Mounting Bracket)
 Speaker direction angle can be adjusted from 0° to 90° downward.



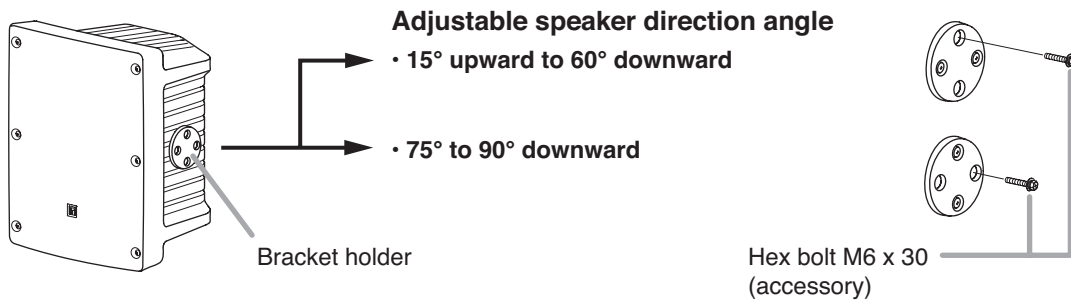
- Step 2.** Screw the supplied hex bolt loosely into the bracket holder.
 Leave the bolt head out about 4 mm (0.16") to allow the mounting bracket to be inserted.
 Follow the same installation procedure to the other side.



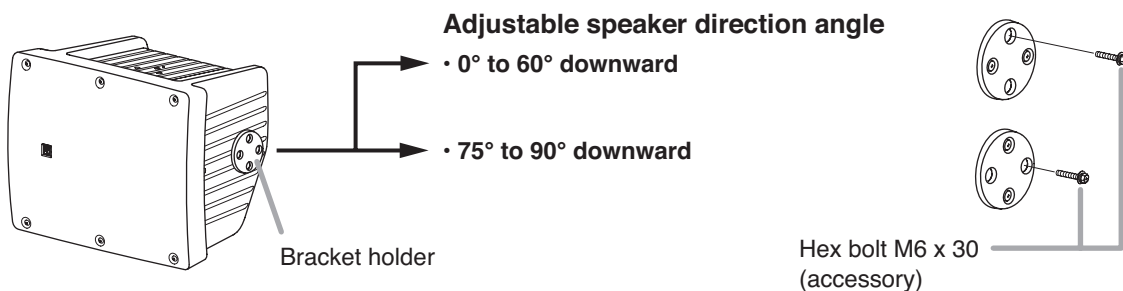
Note

The bolt mounting position differs depending on the speaker's vertical angle as shown below.
 The angle is given with reference to the horizontal axis (0°).

- 2-1.** For vertical speaker installation (V-Series Mounting Bracket)
 Speaker direction angle can be adjusted from 15° upward to 90° downward.



- 2-2.** For horizontal speaker installation (H-Series Mounting Bracket)
 Speaker direction angle can be adjusted from 0° to 90° downward.



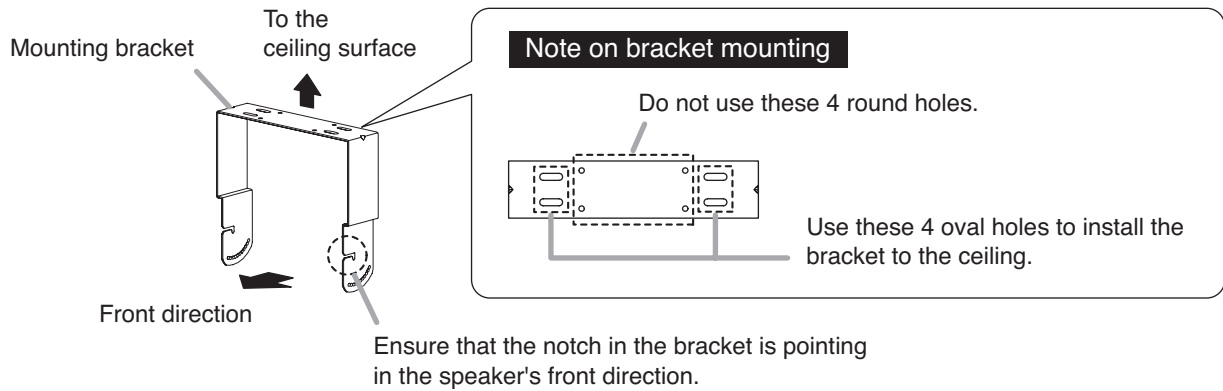
Step 3. Install the mounting bracket to the ceiling.

For the dimensions of the mounting bracket, refer to p. 14, "Dimensional Diagrams."

⚠ WARNING

Bolts and nuts used to fix a bracket to a ceiling are not included. Prepare those that are appropriate for the ceiling's structure and composition. Failure to do so may cause the unit to fall, resulting in personal injury.

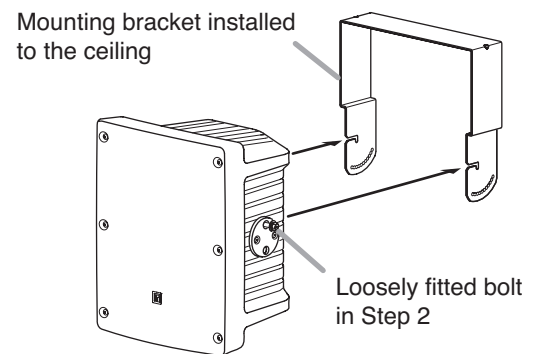
The following figure shows an example for the V-Series Mounting Bracket installation.



Step 4. Install the speaker to the mounting bracket.

Insert the loosely fitted bolts in Step 2 into the mounting bracket's notches until the bolts fit in at the end.

The figure at right shows an example for the speaker system installation to the V-Series Mounting Bracket. Similarly, the speaker system can be installed to the H-Series Mounting Bracket.



Step 5. Connect the speaker cable to the speaker system.

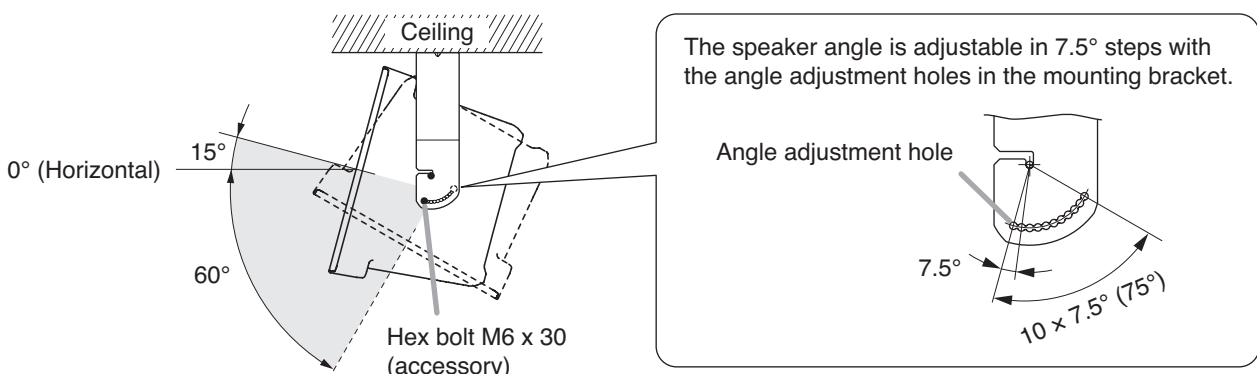
Step 6. Adjust the speaker direction.

Angle adjustment range is as shown below.

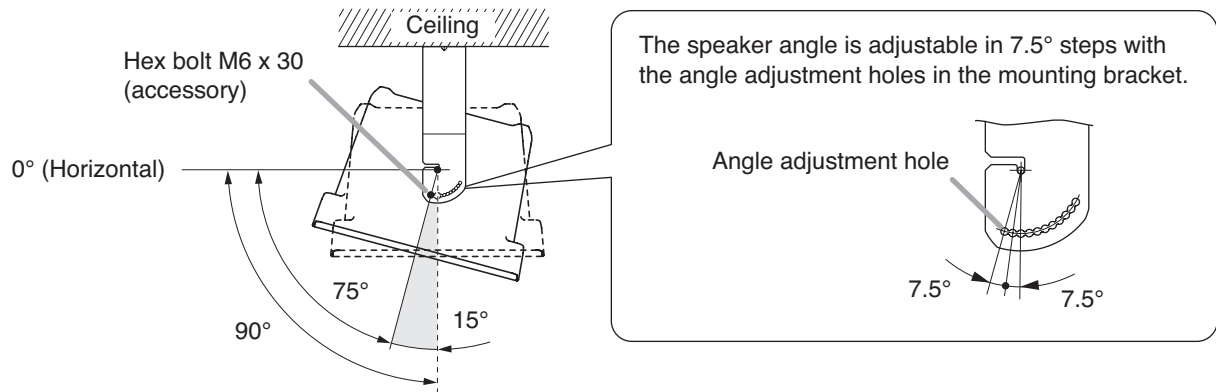
Determine the speaker angle in the way that the screw holes in the bracket holder match with the angle adjustment holes in the mounting bracket, then fix the speaker using the supplied hex bolt (M6 x 30).

Follow the same installation procedure to the other side.

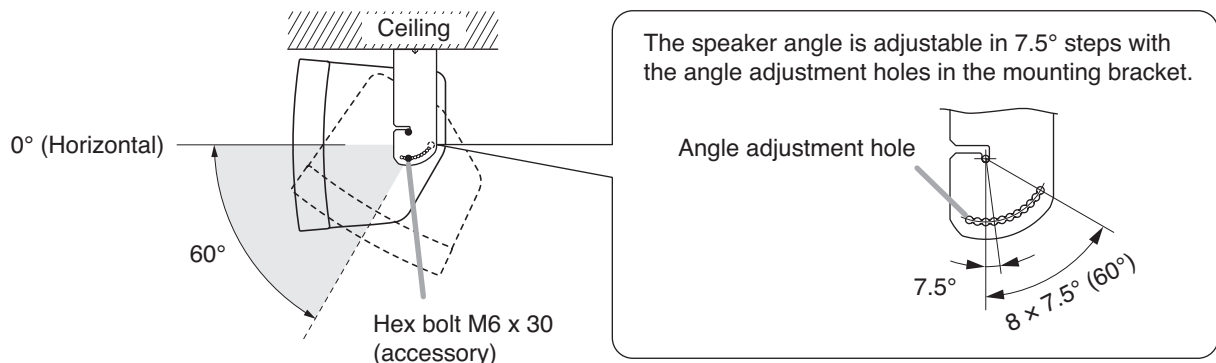
6-1. When adjusting the speaker direction within the range of 15° upward to 60° downward using the V-Series Mounting Bracket.



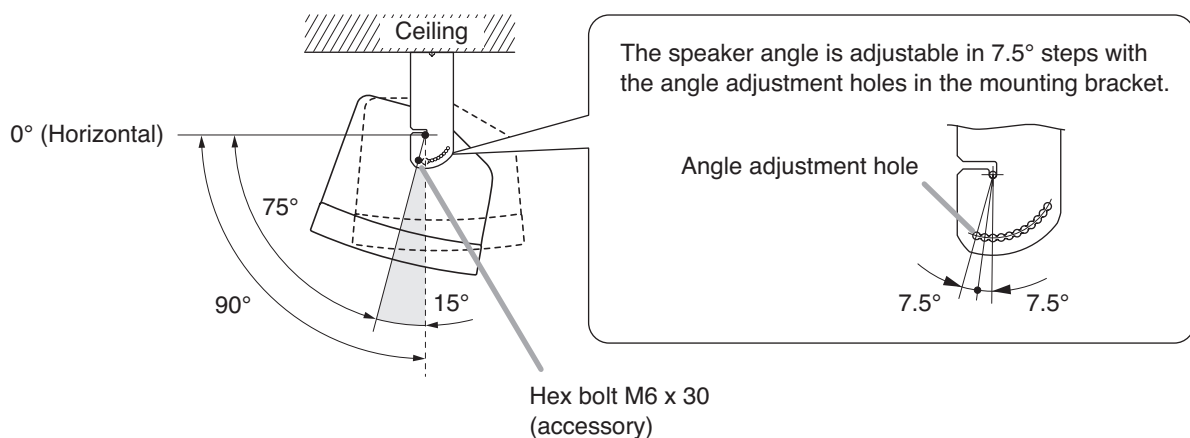
6-2. When adjusting the speaker direction within the range of 75° to 90° downward using the V-Series Mounting Bracket.



6-3. When adjusting the speaker direction within the range of 0° to 60° downward using the H-Series Mounting Bracket.



6-4. When adjusting the speaker direction within the range of 75° to 90° downward using the H-Series Mounting Bracket.



Step 7. Tighten the loosely fitted bolts in Step 2.

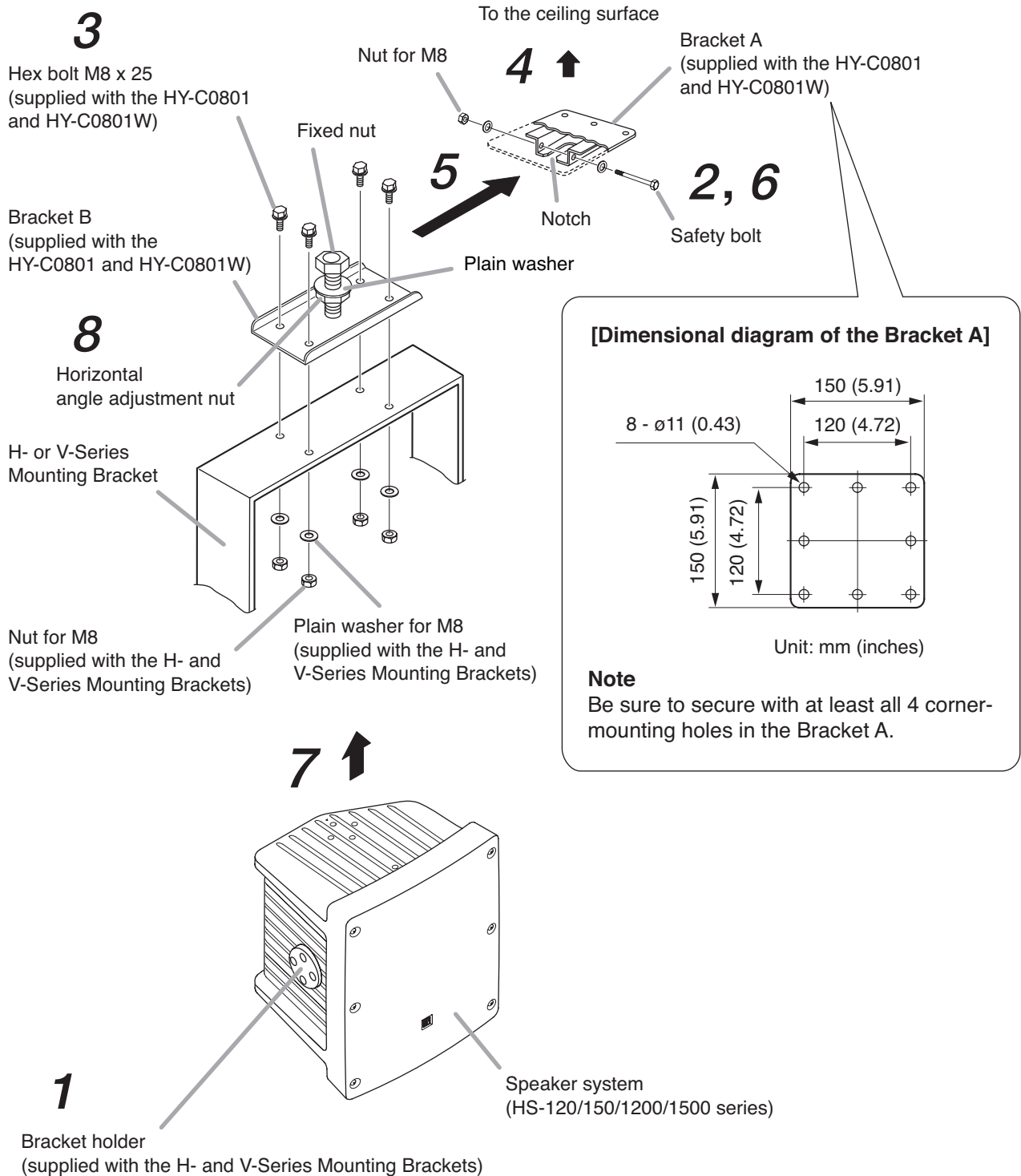
Note: Check that all bolts are securely tightened.

For the speaker installed view, refer to p. 3, "Examples of ceiling installation."

4.2. When Using in conjunction with the Optional Mount Bracket

The H- or V-Series Mounting Bracket allows speaker's horizontal angle to be adjusted in conjunction with the optional HY-C0801 or HY-C0801W Ceiling Mount Bracket.

The following figure shows an example of vertical speaker installation.



Step 1. Attach the supplied bracket holders and hex bolts to the speaker.

For the procedures, refer to Steps 1 and 2 in the "Using the H- or V-Series Mounting Bracket Only" on page 4.

Step 2. Remove the safety bolt from the Bracket A of the HY-C0801 or HY-C0801W to detach the Bracket B.

Step 3. Attach the removed Bracket B to the H- or V-Series Mounting Bracket.

Be sure to use the hex bolts supplied with the HY-C0801 or HY-C0801W, and the nuts for M8 and plain washers for M8 supplied with the H- or V-Series Mounting Bracket.

Step 4. Install the Bracket A to the ceiling using 4 bolts or more.



WARNING

Bolts and nuts used to fix the Bracket A to a ceiling are not included. Prepare those that are appropriate for the ceiling's structure and composition. Failure to do so may cause the unit to fall, resulting in personal injury.

Step 5. Insert the bolt on the Bracket B into the notch in the Bracket A so that the notch is positioned between the fixed nut and plain washer on the bolt.

Step 6. Run the safety bolt through the holes in the Bracket A, then tighten the bolt using the nut for M8.

Step 7. Mount the speaker to the H- or V-Series Mounting Bracket, then determine the speaker's vertical angle.

For the speaker installation, refer to Steps 4 - 7 in "Using the H- or V-Series Mounting Bracket Only" on page 6.

Step 8. Adjust the speaker's horizontal angle.

After adjustment completion, tighten the horizontal angle adjustment nut on the Bracket B.

Notes

- The adjustable horizontal angle is 360° rotation.
- Installing the speaker near a wall or projection limits the adjustable angle range.

For the speaker installed view, refer to p. 3, "Examples of ceiling installation."

5. INSTALLING ON A WALL

The brackets to be used are as follows.

For vertical speaker installation: V-Series Mounting Brackets (HY-1200VB, HY-1200VW, HY-1500VB and HY-1500VW)

For horizontal speaker installation: H-Series Mounting Brackets (HY-1200HB, HY-1200HW, HY-1500HB and HY-1500HW)

The example here shows the installation procedure of the mounting bracket using the HS-1200 series speaker system.

5.1. Using the H- or V-Series Mounting Bracket Only

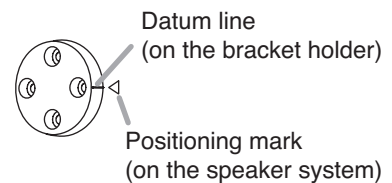
The speaker direction angle is within the range of 15° upward to 60° downward for both the vertical and horizontal speaker installations.

The angle is given with reference to the horizontal axis (0°).

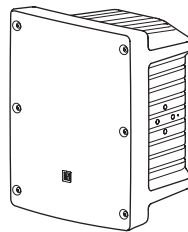
Step 1. Attach the supplied bracket holder to the speaker.

Fix the bracket holder using the supplied 2 screws (M6 x 20) after aligning its datum line with the positioning mark (△) on the speaker system.

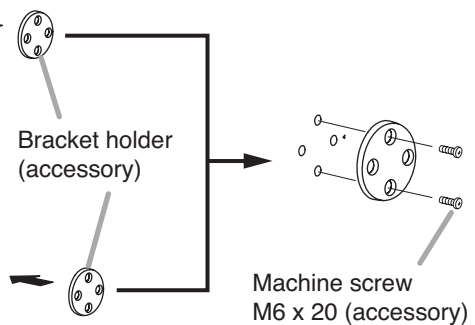
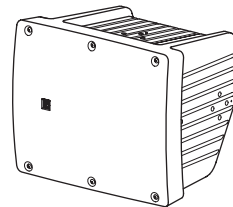
Follow the same installation procedure to the other side.



1-1. For vertical speaker installation (V-Series Mounting Bracket)



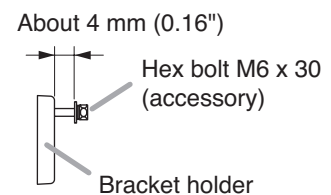
1-2. For horizontal speaker installation (H-Series Mounting Bracket)



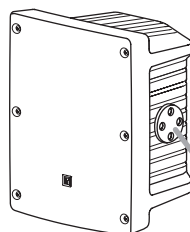
Step 2. Screw the supplied hex bolt loosely into the bracket holder.

Leave the bolt head out about 4 mm (0.16") to allow the mounting bracket to be inserted.

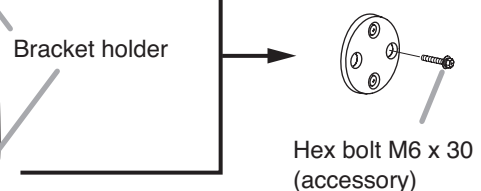
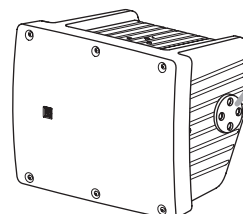
Follow the same installation procedure to the other side.



2-1. For vertical speaker installation (V-Series Mounting Bracket)



2-2. For horizontal speaker installation (H-Series Mounting Bracket)

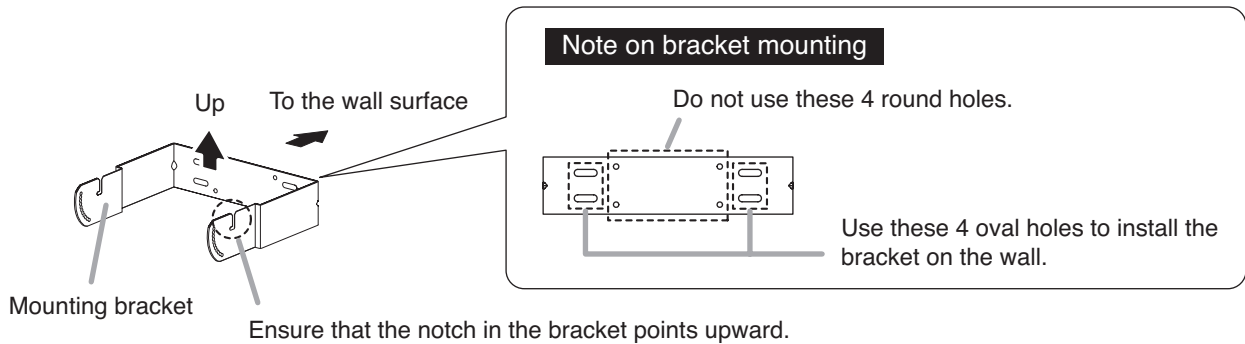


Step 3. Install the mounting bracket on the wall.

For the dimensions of the mounting bracket, refer to p.14, "Dimensional Diagrams."

⚠ WARNING Bolts and nuts used to fix a bracket on a wall are not included. Prepare those that are appropriate for the wall's structure and composition. Failure to do so may cause the unit to fall, resulting in personal injury.

The following figure shows an example of the V-Series Mounting Bracket installation.

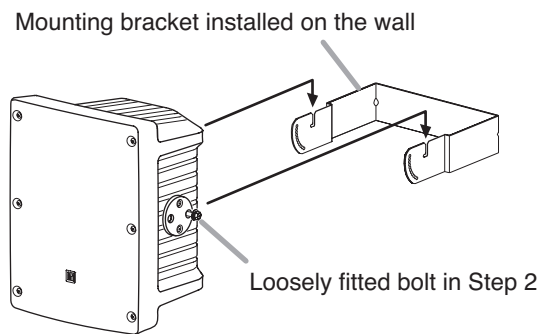


Step 4. Install the speaker to the mounting bracket.

Insert the loosely fitted bolts in Step 2 into the mounting bracket's notches until the bolts fit in at the end.

The figure at right shows an example for the speaker system installation to the V-Series Mounting Bracket.

Similarly, the speaker system can be installed to the H-Series Mounting Bracket.



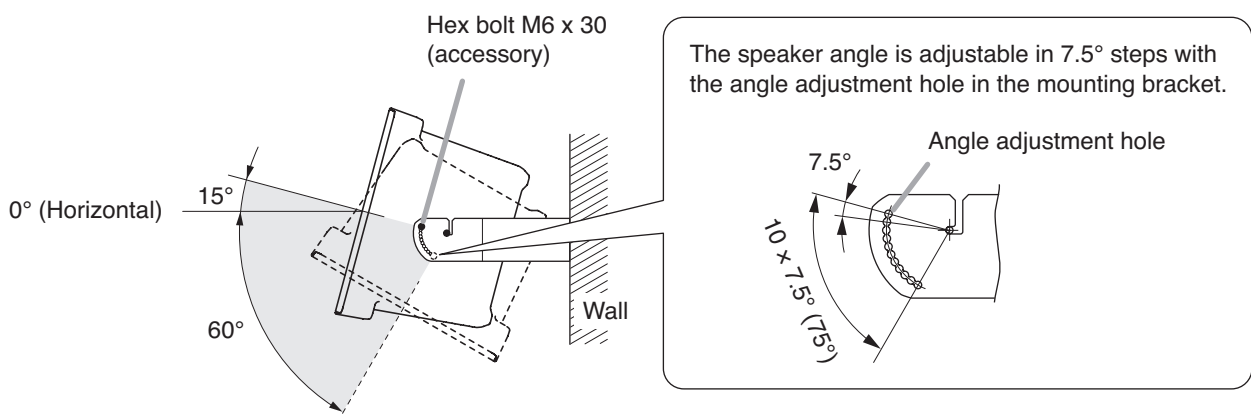
Step 5. Connect the speaker cable to the speaker system.

Step 6. Adjust the speaker direction.

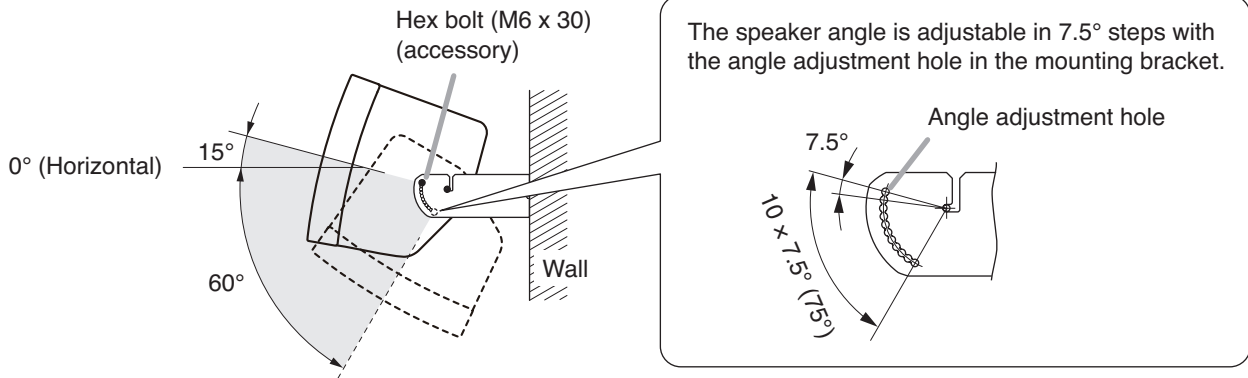
Speaker direction can be adjusted is within the range of 15° upward to 60° downward for both the V- and H-Series Mounting Brackets.

Determine the speaker angle in the way that the screw hole in the bracket holder matches with the angle adjustment hole in the mounting bracket, then fix the speaker using the supplied hex bolt (M6 x 30). Follow the same installation procedure to the other side.

6-1. For the V-Series Mounting Bracket



6-2. For the H-Series Mounting Bracket



Step 7. Tighten the loosely fitted bolts in Step 2.

Note: Check that all bolts are securely tightened.

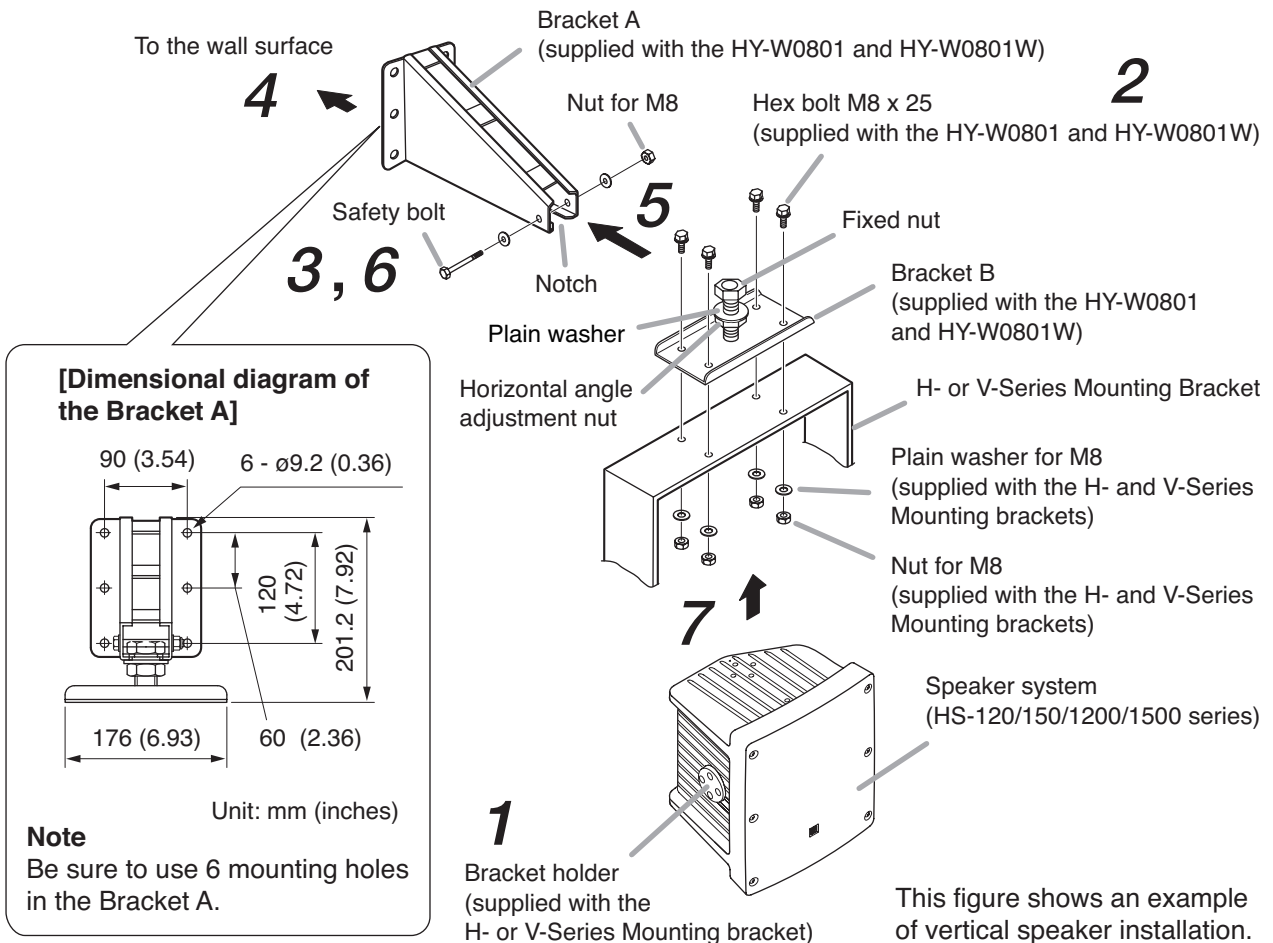
For the speaker installed view, refer to p. 3, "Examples of wall installation."

5.2. When Using in conjunction with the Optional Mount Bracket

The H- or V-Series Mounting Bracket allows speaker's horizontal angle to be adjusted in conjunction with the optional HY-W0801 or HY-W0801W Wall Mount Bracket.

Notes

- When the HY-1200 Series Bracket is used, the adjustable angle range is as follows.
 Vertical angle range: 15° upward to 90° downward (with reference to the horizontal axis as 0°)
 Horizontal angle range: 90° to the left or right (with reference to the front direction as 0°)
- When the HY-1500 Series Bracket is used, the adjustable angle range is limited.
 For details, refer to "HY-1500 Series Brackets' adjustable angle range" on the next page.



Step 1. Attach the supplied bracket holders and hex bolts to the speaker.


For the procedures, refer to Steps 1 and 2 in the "Using the H- or V-Series Mounting Bracket Only" on page 4.

Step 2. Attach the Bracket B of the HY-W0801 or HY-W0801W to the H- or V-Series Mounting Bracket.

Be sure to use the hex bolts supplied with the HY-W0801 or HY-W0801W, and the nuts for M8 and plain washers for M8 supplied with the H- or V-Series Mounting Bracket.

Step 3. Remove the safety bolt from the Bracket A.

Step 4. Install the Bracket A on the wall using 6 bolts.



WARNING Bolts and nuts used to fix the Bracket A on a wall are not included. Prepare those that are appropriate for the wall's structure and composition. Failure to do so may cause the unit to fall, resulting in personal injury.

Step 5. Insert the bolt on the bracket B into the notch in the Bracket A so that the notch is positioned between the fixed nut and plain washer on the bolt.

Step 6. Run the safety bolt through the holes in the Bracket A, then tighten the bolt using the nut for M8.

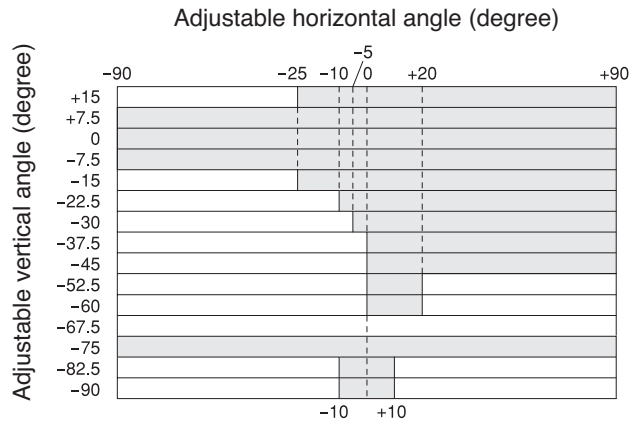
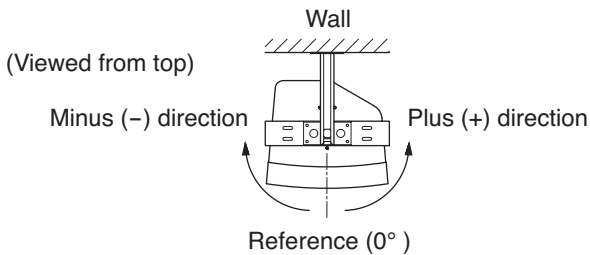
Step 7. Mount the speaker to the H- or V-Series Mounting Bracket, then adjust the speaker direction.

For the speaker installation, refer to Steps 4 - 7 in "Using the H- or V-Series Mounting Bracket Only" on page 6.

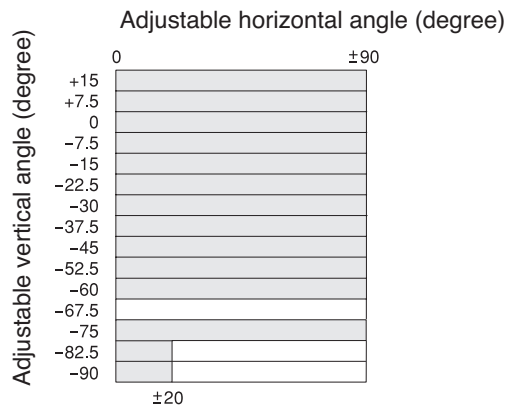
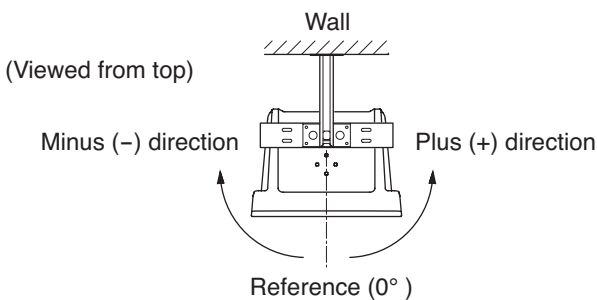
After adjusting the horizontal angle, tighten the horizontal angle adjustment nut on the Bracket B.

HY-1500 Series Brackets' adjustable angle range (shaded area)

Adjustable angle range (shaded area) when the HY-1500VB or HY-1500VW is used



Adjustable angle range (shaded area) when the HY-1500HB or HY-1500HW is used

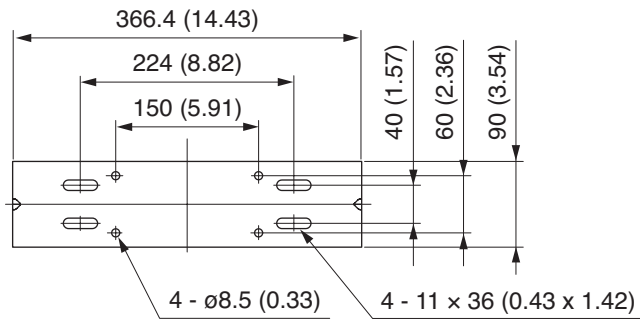


For the speaker installed view, refer to p. 3, "Examples of wall installation."

6. DIMENSIONAL DIAGRAMS

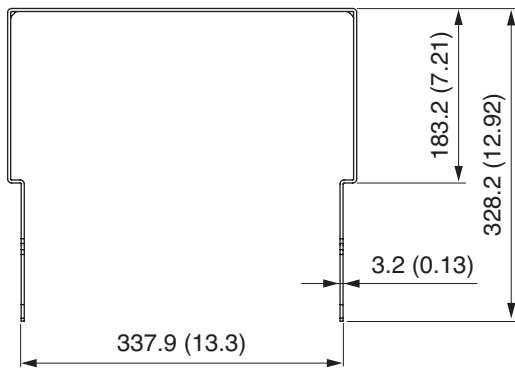
6.1. HY-1200VB and HY-1200VW

[Top]

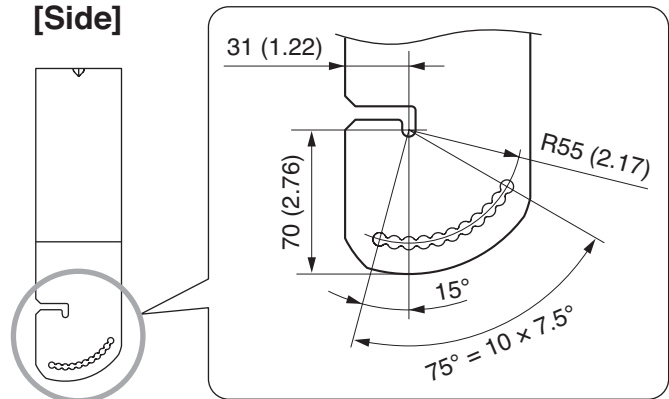


Unit: mm (inches)

[Front]

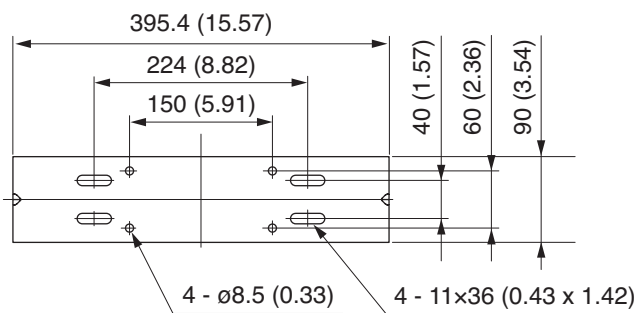


[Side]



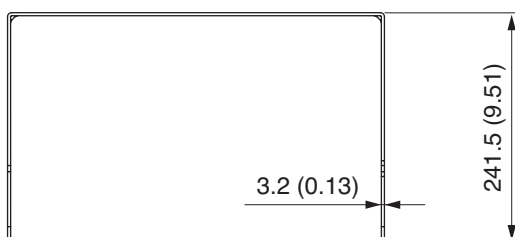
6.2. HY-1200HB and HY-1200HW

[Top]

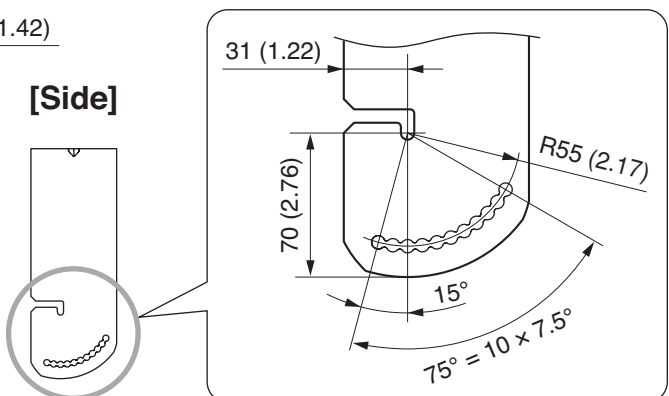


Unit: mm (inches)

[Front]

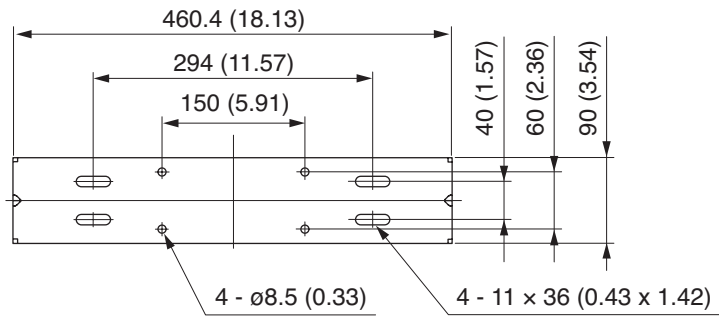


[Side]



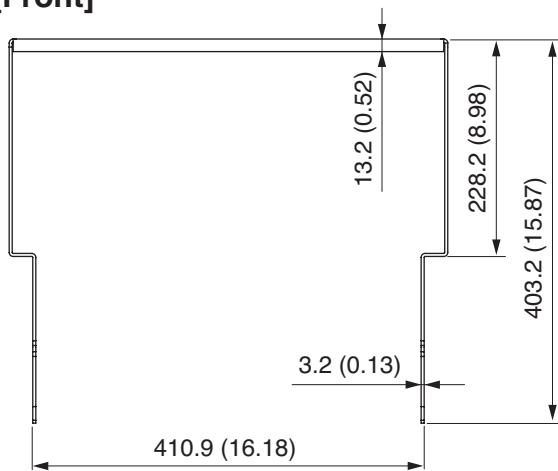
6.3. HY-1500VB and HY-1500VW

[Top]

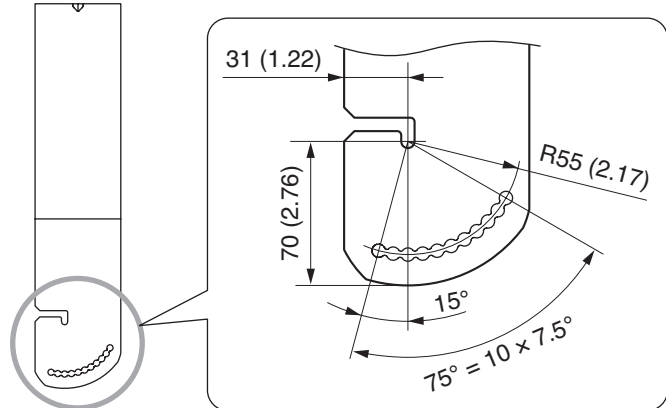


Unit: mm (inches)

[Front]

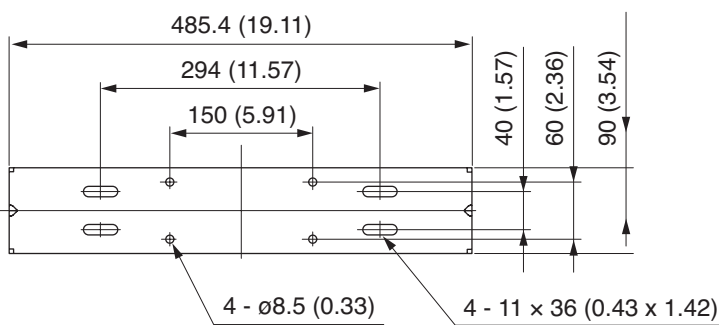


[Side]



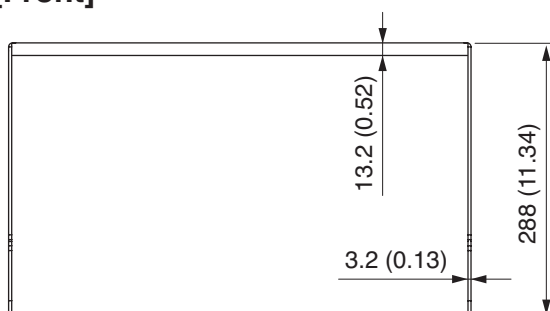
6.4. HY-1500HB and HY-1500HW

[Top]

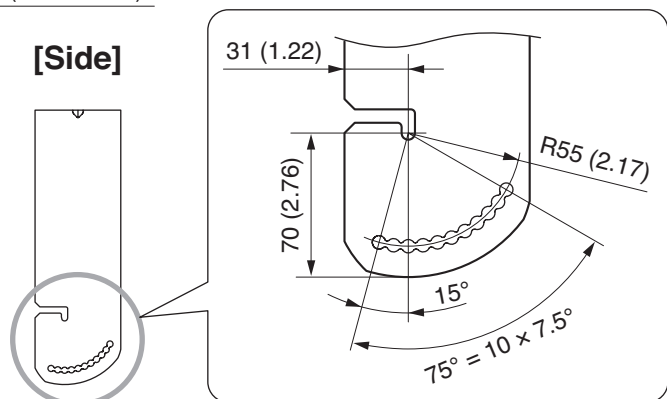


Unit: mm (inches)

[Front]



[Side]



7. SPECIFICATIONS

[HY-1200 Series Mounting Brackets]

Model	HY-1200VB	HY-1200VW	HY-1200HB	HY-1200HW
Applicable speaker	HS-120B, HS-1200BT	HS-120W, HS-1200WT	HS-120B, HS-1200BT	HS-120W, HS-1200WT
Finish	Rolled steel plate, paint, black	Rolled steel plate, paint, white	Rolled steel plate, paint, black	Rolled steel plate, paint, white
Dimensions	366.4 (w) x 328.2 (h) x 90 (d) mm 14.43 (w) x 12.92 (h) x 3.54 (d) inches		395.4 (w) x 241.5 (h) x 90 (d) mm 15.57 (w) x 9.51 (h) x 3.54 (d) inches	
Weight	2.2 kg (4.85 lb)		1.9 kg (4.19 lb)	

[HY-1500 Series Mounting Brackets]

Model	HY-1500VB	HY-1500VW	HY-1500HB	HY-1500HW
Applicable speaker	HS-150B, HS-1500BT	HS-150W, HS-1500WT	HS-150B, HS-1500BT	HS-150W, HS-1500WT
Finish	Rolled steel plate, paint, black	Rolled steel plate, paint, white	Rolled steel plate, paint, black	Rolled steel plate, paint, white
Dimensions	460.4 (w) x 403.2 (h) x 90 (d) mm 18.13 (w) x 15.87 (h) x 3.54 (d) inches		485.4 (w) x 288 (h) x 90 (d) mm 19.11 (w) x 11.34 (h) x 3.54 (d) inches	
Weight	3 kg (6.61 lb)		2.4 kg (5.29 lb)	

Note: The design and specifications are subject to change without notice for improvement.

• Accessories

Bracket holder	2
Machine screw M6 x 20	4
Hex bolt M6 x 30	4
Plain washer for M8 (used when installing in conjunction with the optional bracket)	4
Nut for M8 (used when installing in conjunction with the optional bracket)	4

• Optional products

Ceiling Mount Bracket:	HY-C0801, HY-C0801W
Wall Mount Bracket:	HY-W0801, HY-W0801W