

ECI-B64Z2

4 MP Outdoor EXIR Varifocal Network Bullet Camera



- 1/3" (4 MP) Progressive Scan CMOS
- Up to 2560 x 1440 Resolution
- 2.8 mm to 12 mm Motorized Varifocal Lens
- EXIR 2.0 with up to 100 ft (30 m) IR Range
- H.265+/H.265/H.264+/H.264/MJPEG
- 120dB True WDR Produces Clearer Image
- MicroSD Card Slot Supports 128 GB
- IP67 Protection
- Durable Metal Housing
- 12 VDC \pm 25% (PoE IEEE802.3af), maximum 11 W

The Hikvision ECI-B64Z2 Outdoor EXIR Varifocal Bullet Camera provides high definition network output. It supports H.265+ video compression technology, which assures savings in bandwidth and storage.

EXIR 2.0 is Hikvision's proprietary IR extended range technology, which has a range of 100 feet (30 meters).

The 2.8 mm to 12 mm motorized varifocal lens is optimized for viewing angles that fit any situation. This flexible technology allows for the angle of view to be changed at will in order to focus on an area of interest.

Available models:
ECI-B64Z2



Specifications

ECI-B64Z2

Camera

Image Sensor	1/3" [4 MP] progressive scan CMOS
Minimum Illumination	Color: 0.018 Lux @ (f/1.6, AGC on)
Shutter Speed	1/3 s to 1/100,000 s, slow shutter supported
Slow Shutter	Yes
Auto-Iris	No
Day / Night	IR cut filter
Digital Noise Reduction	3D DNR
WDR	120dB
Angle Adjustment (Bracket)	Pan: 0° to 360°, tilt: 0° to 90°, rotation: 0° to 360°

Lens

Focal Length	2.8 mm to 12 mm
Aperture	f/1.6
Focus	Automatic
FOV	Horizontal field of view: 98° to 28°; vertical field of view: 51° to 16°; diagonal field of view: 115° to 32°
Lens Mount	Ø14

IR

IR Range	Up to 100 ft (30 m)
Wavelength	850 nm

Compression Standard

Video Compression	Main stream: H.265+/H.265/H.264+/H.264; sub-stream: H.265+/H.265/H.264+/H.264 / MJPEG
H.264 Type	Baseline profile/main profile/high profile
H.264+	Main stream
Video Bit Rate	32 Kbps to 8 Mbps

Smart Features

Region of Interest	One fixed region for main stream and sub-stream
--------------------	---

Image

Maximum Resolution	2560 x 1440
Main Stream	20 fps (2560 x 1440), 30 fps (2304 x 1296, 1920 x 1080, 1280 x 720)
Sub-Stream	30 fps (640 x 480, 640 x 360, 320 x 240)
Image Enhancement	BLC, 3D DNR
Image Setting	Saturation, brightness, contrast, sharpness, AGC, white balance adjustable by client software or web browser
Day / Night Switch	Auto, scheduled

Network

Network Storage	Support for microSD/SDHC/SDXC card (128 GB), local storage, and NAS (NFS, SMB/CIFS), ANR
Alarm Trigger	Motion detection, video tampering alarm, network disconnected, IP address conflicted, and illegal login
Protocols	TCP/IP, ICMP, HTTP, HTTPS, FTP, DHCP, DNS, DDNS, RTP, RTSP, RTCP, NTP, UPnP, SMTP, IGMP, 802.1X, QoS, IPv6, UDP, Bonjour
General Function	One-key reset, anti-flicker, heartbeat, mirror, password protection, privacy mask, watermark
API	ONVIF (PROFILE S, PROFILE G), ISAPI
Simultaneous Live View	Up to 6 channels
User / Host	Up to 32 users; three levels: administrator, operator, and user
Client	iVMS-4200, Hik-Connect
Web Browser	IE 8+, Chrome 31 to 44, Firefox 30.0 to 51, Safari 8.0+

Interface

Communication Interface	1-Port RJ-45 10M/100M self-adaptive Ethernet port
Reset Button	Yes

General

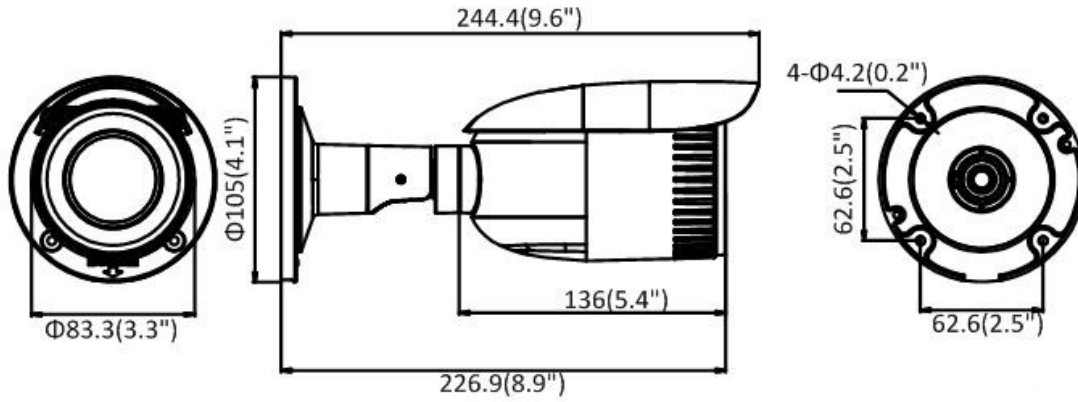
Operating Conditions	-22° F to 140° F (-30° C to 60° C); humidity: 95% or less (non-condensing)
Power Supply	12 VDC ± 20%, 5.5 mm coaxial power plug; PoE (802.3af, class 3)
Power Consumption and Current	12 VDC, 0.9 A, maximum: 11 W; PoE: (802.3af, 36 V to 57 V), 0.4 A to 0.2 A, maximum: 12.9 W
Protection Level	IP67, TVS 2000V lightning protection, surge protection and voltage transient protection
Material	Metal
Dimensions	4.1" x 4.1" x 5.7" (105 mm x 105 mm x 145 mm)
Weight	Camera: 2.3 lbs (1.04 kg)

Accessories



CB135
Conduit Base

Dimensions



Unit: mm (inch)