

Integrated Door Security Systems

EasyKit[®]

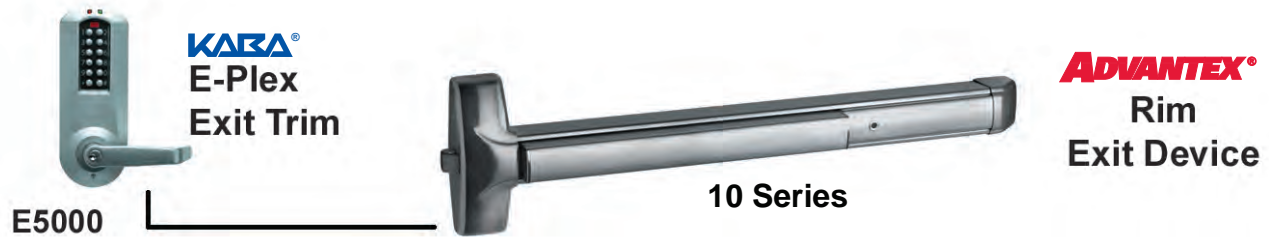


EasyKit®

ACDx10xE5000

Access Controlled Doors

The ACDxE5000 EasyKit offers industry-proven life safety and security hardware for high-use, high-abuse doors with a cost-effective access control solution.



Benefits

- Cost-effective access control with panic hardware in one easy-to-install kit
- No key or cards to manage
- Audit trail provides additional security management
- Pin code can be changed in seconds
- Easy-to-replace standard AA batteries
- Tough and durable design for years of trouble-free service in high-use, high-abuse environments
- Minimal door prep with no through-door wiring saves time and money

Features

- E5000 features cast stainless steel internal drive parts
- Stainless steel deadlocking Pullman-type latch bolt on exit device
- Weatherproof trim requires no outside gasket
- Non-handed
- Field sizeable panic device
- E5000 offers up to 100 access codes
- 1/8 turn dogging
- Optional easy-to-use Excel-based software
- Heavy-duty angled end cap deflects damage away from panic device
- Battery pack included

For more information on 10 Series exit devices, see individual catalog pages

For more information on E5000 visit www.kaba-ilco.com/access_control

Mechanical Options

- CD - Cylinder Dogging
- HD - Hex Dogging (Std.)
- LD - Less Dogging
- 36 - Fits 36" door width (Std.)
- 48 - Fits 48" door width
- F - 3-Hour Fire Rated (both E5000 and panic device)
- H - Hurricane Rated
- 99 - surface strike (Std.)
- 98 - semi mortise strike

Electrical Options

- Exit Alarm (EA)
 - Electric Dogging (ED)
 - Electric Integration (EI)
 - Electric Latch Retraction (ER)
 - Delayed Egress - Self Contained (EE)
 - Delayed Egress with Latch Retraction (EExER)
 - Delayed Egress - Mag Lock (EM)
 - Electric Switching (ES)
 - Request to Exit (EX/EXV)
 - Request to Exit Weatherized (EXxW)
- Refer to Electrified Options section for more information

Accessories

- SN1 - Sex Nut Fasteners
- SSK1 - Torx Security Screw Kit

Where Trust is Built™
DETEx®
Life Safety, Security and Security Assurance

Technical Information

- Door Types - Wood, Hollow Metal, Fiberglass or Aluminum
- Door Thickness - Fits standard 1-3/4" - 2-1/4" (for other door thicknesses, contact factory)
- Door Stile - Fits minimum 5" wide stile with 99 strike (Std.)
- Machine and Sheet Metal Screws (Std.)
- Rail - Heavy Ribbed Aluminum Extrusion
- E5000 numeric pushbuttons - vandal resistant, 12 button, metal keys
- E5000 construction is solid cast housing and solid cast zinc levers

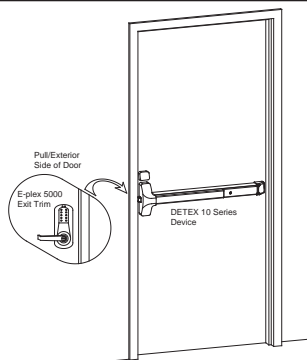
Finishes (Kaba)

- 626/26D Satin Chrome
- 606/04 Lifetime Satin Brass
- 695/55 Duranodic
- 605/03 Lifetime Bright Brass

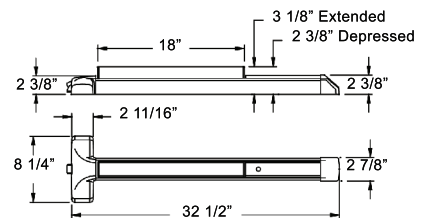
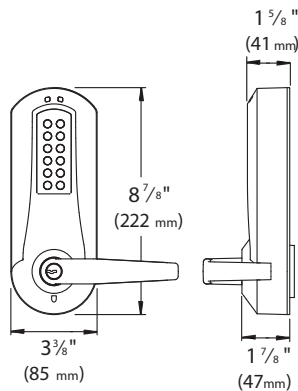
Finishes (Advantex)

- 605 / US3 - Polished Brass
- 606 / US4 - Brushed Brass
- 611 / US9 - Polished Bronze
- 612 / US10 - Brushed Bronze
- 613 / US10B - Oil Rubbed Bronze
- 629 / US32 - Polished Stainless Steel
- 630 / US32D - Brushed Stainless Steel

Riser Diagram



Dimensions



10 Series Dimensions Shown

Detex Limited Warranty

Advantex - 10 Year Mechanical / 3 Year Electrical Manufacturers Limited Warranty

E5000 - 3 year Manufacturers Warranty

Listings and Approvals Advantex

- UL Listed Panic Hardware
- LISTED UL Listed Fire Exit Hardware for 3 hours, maximum
- LISTED 4'x10' single doors and pairs of 4'x8' with F90KR key removable Mullion
- Meets ADA requirements
- UBC 97, Standard 7-2 and UL10C for positive pressure
- ANSI/BHMA certified A156.3
- Meets NFPA 80 & 101 for Life Safety
- Miami-Dade County, Florida } 10 Series
NOA 10-0303.02 EXP. 04/07/15 } Only
- State of Florida Approval FL9052
- California State Fire Marshall - 4140-0127:105 and 3725-0127:108

Listings and Approvals E5000

- LISTED • 3 Hour UL & ULC fire rating for "A" labeled doors
- Meets ADA requirements
- ANSI/BHMA A156.2-2001 Grade 1

Where Trust is Built™
DETEX®
 Life Safety, Security and Security Assurance

Detex Corporation
 302 Detex Drive
 New Braunfels, Texas 78130-3045 USA
 PH. (830) 629-2900
 (800) 729-3839
 FAX (800) 653-3839
 http://www.detex.com
 USA Sales:
 marketing@detex.com
 International Sales:
 export@detex.com

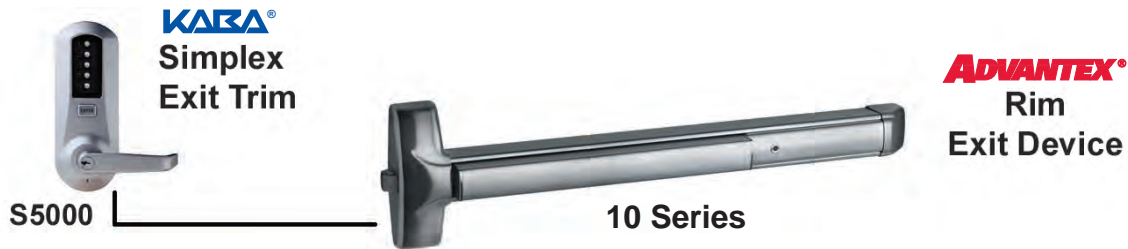
Cancer & Reproductive Harm - www.detex.com/prop65

EasyKit®

ACDx10xS5000 ACDx20/21xS5000

Access Controlled Doors

The ACDxS5000 EasyKit offers industry-proven life safety and security hardware for high-use, high-abuse doors with a cost-effective access control solution.



(Shown on 10 Series Rim Exit Device - Available with 20/21 Series Surface Vertical Rod Devices and Value Series V40 and V50 Devices)

Benefits

- Cost-effective access control with panic hardware in one easy-to-install kit
- One easy-to-order/specify catalog number for this turnkey solution
- No key or cards to manage
- One common pin code for all users
- Pin Code can be changed in seconds
- No batteries to replace
- Tough and durable design for years of trouble-free service in high-use, high-abuse environments
- Minimal door prep saves time and money

Features

- S5000 features cast stainless steel internal drive parts
- Stainless steel deadlocking Pullman-type latch bolt on exit device
- Non-handed
- Field sizeable panic device
- 1/8 turn dogging
- Heavy-duty angled end cap deflects damage away from panic device

For more information on 10/20/21 exit devices, see individual catalog pages

For more information on Value Series exit devices, see [V40](#) and [V50](#) catalog pages

For more information on S5000 visit www.kaba-ilco.com/access_control

Mechanical Options

- CD - Cylinder Dogging
- HD - Hex Dogging (Std.)
- LD - Less Dogging
- 36 - Fits 36" door width (Std.)
- 48 - Fits 48" door width
- F - 3-Hour Fire Rated (both S5000 and panic device)
- H - Hurricane Rated
- 99 - surface strike (Std.)
- 98 - semi mortise strike

Electrical Options

- Exit Alarm (EA)
 - Electric Dogging (ED)
 - Electric Integration (EI)
 - Electric Latch Retraction (ER)
 - Delayed Egress - Self Contained (EE)
 - Delayed Egress with Latch Retraction (EExER)
 - Delayed Egress - Mag Lock (EM)
 - Electric Switching (ES)
 - Request to Exit (EX/EXV)
 - Request to Exit Weatherized (EXxW)
- Refer to Electrified Options section for more information

Accessories

- SN1 - Sex Nut Fasteners
- SSK1 - Torx Security Screw Kit

Technical Information

- Door Types - Wood, Hollow Metal, Fiberglass or Aluminum
- Door Stile - Fits minimum 5" wide stile with 99 strike (Std.)
- S5000 numeric pushbuttons - vandal resistant, anodized aluminum
- Door Thickness - Fits standard 1-3/4" - 2-1/4" (for other door thicknesses, contact factory)
- Machine and Sheet Metal Screws (Std.)
- S5000 construction is solid cast housing and solid cast zinc levers
- Rail is Heavy Ribbed Aluminum Extrusion

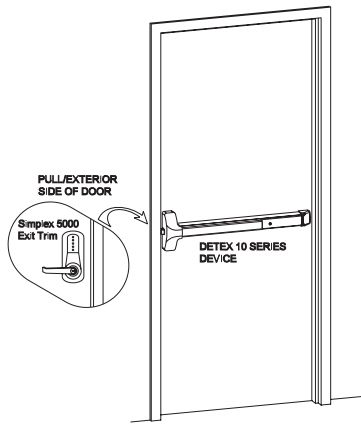
Finishes (KABA)

- 626/26D Satin Chrome
- 695/55 Duranodic
- 605/03 Lifetime Bright Brass
- 606/04 Lifetime Satin Brass

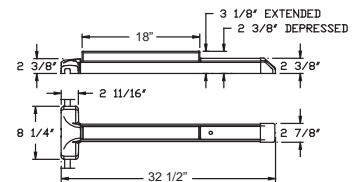
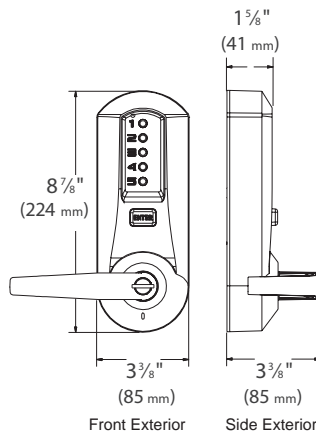
Finishes (Advantex)

- 605 / US3 - Polished Brass
- 612 / US10 - Brushed Bronze
- 629 / US32 - Polished Stainless Steel
- 606 / US4 - Brushed Brass
- 613 / US10B - Oil Rubbed Bronze
- 630 / US32D - Brushed Stainless Steel
- 611 / US9 - Polished Bronze

Riser Diagram



Dimensions



10 Series Dimensions Shown

Listings and Approvals Advantex and Value Series

- UL Listed Panic Hardware
- UL Listed Fire Exit Hardware for 3 hours, maximum 4'x10' single doors and pairs of 4'x8' with F90KR key removable Mullion
- Meets ADA requirements
- UBC 97, Standard 7-2 and UL10C for positive pressure
- ANSI/BHMA certified A156.3
- Meets NFPA 80 & 101 for Life Safety
- Miami-Dade County, Florida NOA 10-0303.02 EXP. 04/07/15 State of Florida Approval FL9052
- California State Fire Marshall - 4140-0127:105 and 3725-0127:108

Listings and Approvals S5000

- 3 Hour UL & ULC fire rating for "A" labeled doors
- Meets ADA requirements
- ANSI/BHMA A156.2-2001 Grade 1

Detex Limited Warranty Advantex - 10 Year Mechanical / 3 Year Electrical Manufacturers Limited Warranty

S5000 - 3 year Manufacturers Warranty



Detex Corporation
 302 Detex Drive
 New Braunfels, Texas 78130-3045 USA
 PH. (830) 629-2900
 (800) 729-3839
 FAX (800) 653-3839
 http://www.detex.com
 USA Sales:
 marketing@detex.com
 International Sales:
 export@detex.com

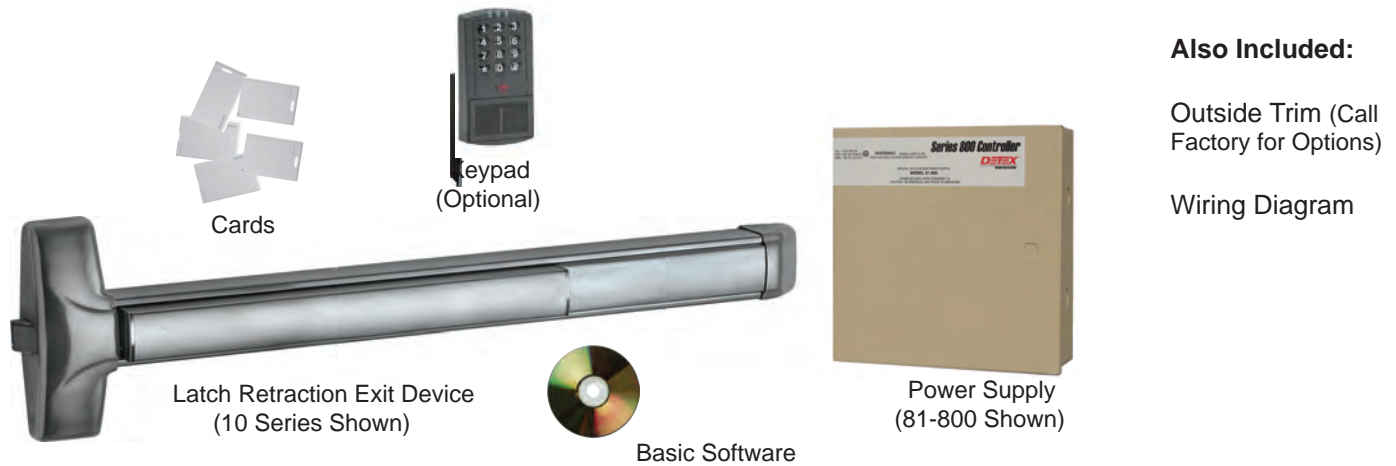
Cancer & Reproductive Harm - www.detex.com/prop65

EasyKit®

ACDx10ER ACDx40ER

Access Controlled Doors with Latch Retraction

The ACDx10ER EasyKit offers industry-proven life safety and security hardware for high-use, high-abuse doors with innovative, access control readers and software providing an easy-to-install, access control solution.



(Shown on 10 Series Rim Exit Device - Available with 10/40 Rim, 30 Mortise and 20/21/50/51 Surface Vertical Rod Devices)

Benefits

- Innovative, robust proximity technology allows for heavy access control applications
- Easy-to-install, heavy-duty hardware provides years of trouble-free, heavy access control use
- Easy-to-manage software tracks hundreds of users and cards
- Easily managed, add or delete users as needed, when necessary
- EasyKit includes all required hardware, wiring and riser diagrams for easy to order, easy to install, easy to use package
- Each kit is easily configured for entry read and/or exit read applications
- Minimal door and frame prep saves time and money

Features

- Kit includes, Power supplies, Controllers, Latch Retraction exit device with trim, 2 access control readers, cards and basic software
- Stainless steel deadlocking Pullman-type latch bolt on exit device
- Non-handed exit hardware
- Heavy-duty angled end cap deflects damage away from panic device

Mechanical Options

- 36 - Fits 36" door width (Std.)
- F - 3 hour fire rated exit device
- 99 - surface strike (Std.)
- 48 - Fits 48" door width
- H - Hurricane Rated exit device
- 98 - semi mortise strike

Electrical Options

- Request to Exit (EX) pushpad switch for remote signaling upon exit
- LBM - Latch Bolt Monitor
- EWH8-626 - Electric Hinge
- M12 - Power Supply 12V module for other low volt accessories
- FC - Flex Conduit and End Cap
- PT5 - Power Transfer

Where Trust is Built™
DETEX®
Life Safety, Security and Security Assurance

Accessories

- SN1 - Sex Nut Fasteners
- Various configurable cylinder trims, pulls and levers (Call factory for specific details)

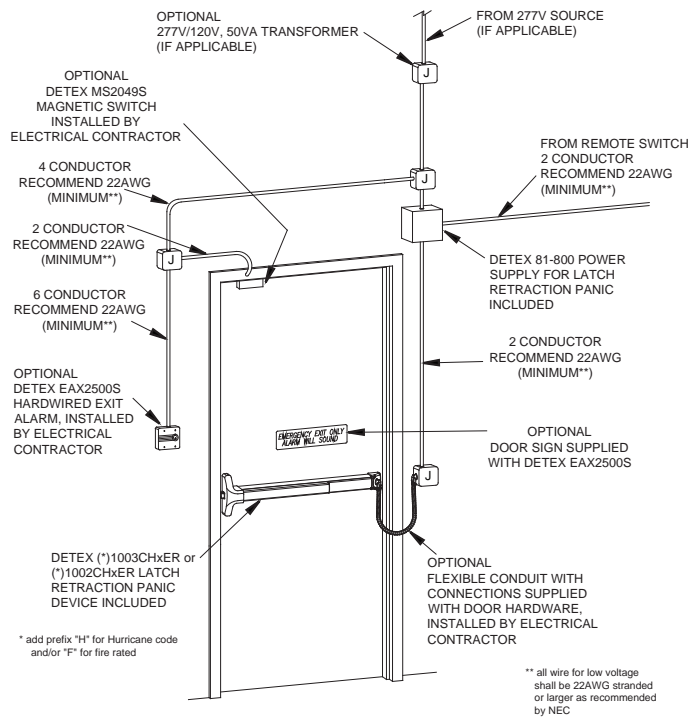
Technical Information

- Door Types - Wood, Hollow Metal, Fiberglass or Aluminum
- Door Thickness - Fits standard 1-3/4" - 2-1/4" (for other door thicknesses, contact factory)
- Medium Stile - Wide stile rim and surface vertical rod fits minimum 5" stile with 99 strike (Std.)
- Narrow Stile - Narrow stile rim and surface vertical rod fits minimum 2" stile with 98 strike (optional)
- Machine and Sheet Metal Screws (Std.)
- Rail is heavy ribbed aluminum extrusion

Finishes (Advantex)

- 605 / US3 - Polished Brass
- 606 / US4 - Brushed Brass
- 611 / US9 - Polished Bronze
- 612 / US10 - Brushed Bronze
- 613 / US10B - Oil Rubbed Bronze
- 629 / US32 - Polished Stainless Steel
- 630 / US32D - Brushed Stainless Steel

Riser Diagram



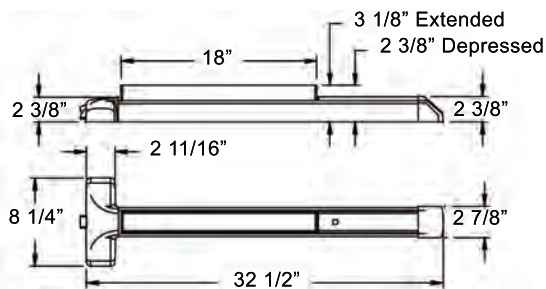
Listings and Approvals - Advantex

- UL LISTED Panic Hardware
- UL LISTED Fire Exit Hardware for 3 hours, maximum
- UL LISTED 4x10" single doors and pairs of 4x8" with F90KR key removable Mullion
- Meets ADA requirements
- UBC 97, Standard 7-2 and UL10C for positive pressure
- ANSI/BHMA certified A156.3
- Meets NFPA 80 & 101 for Life Safety
- Miami-Dade County, Florida NOA 10-0303.02 EXP. 04/07/15 } 10 Series Only
- State of Florida Approval FL9052
- California State Fire Marshall - 4140-0127:105 and 3725-0127:108

Detex Limited Warranty

Advantex - 10 Year Mechanical / 3 Year Electrical Manufacturers Limited Warranty

Dimensions



10 Series Dimensions Shown

Cancer & Reproductive Harm - www.detex.com/prop65

Where Trust is Built™
DETEX®
 Life Safety, Security and Security Assurance

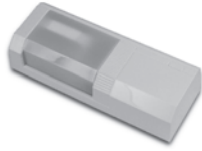
Detex Corporation
 302 Detex Drive
 New Braunfels, Texas 78130-3045 USA
 PH. (830) 629-2900
 (800) 729-3839
 FAX (800) 653-3839
<http://www.detex.com>
 USA Sales:
marketing@detex.com
 International Sales:
export@detex.com

EasyKit®

ACDxML-1548RT

Access Controlled Doors

The ACDxML-1548RT EasyKit offers industry-proven security hardware for controlled entry or exit as well as hands free entry or exit. The ACDxML-1548RT is a simple, easy-to-install, access control solution, which is ideal for selected access lobbies and preferred customer entrances/exits.



Motion Detector



Push Button



Electromagnetic Lock



Power Supply

Also Included:

Wiring Diagram
(not shown)

Benefits

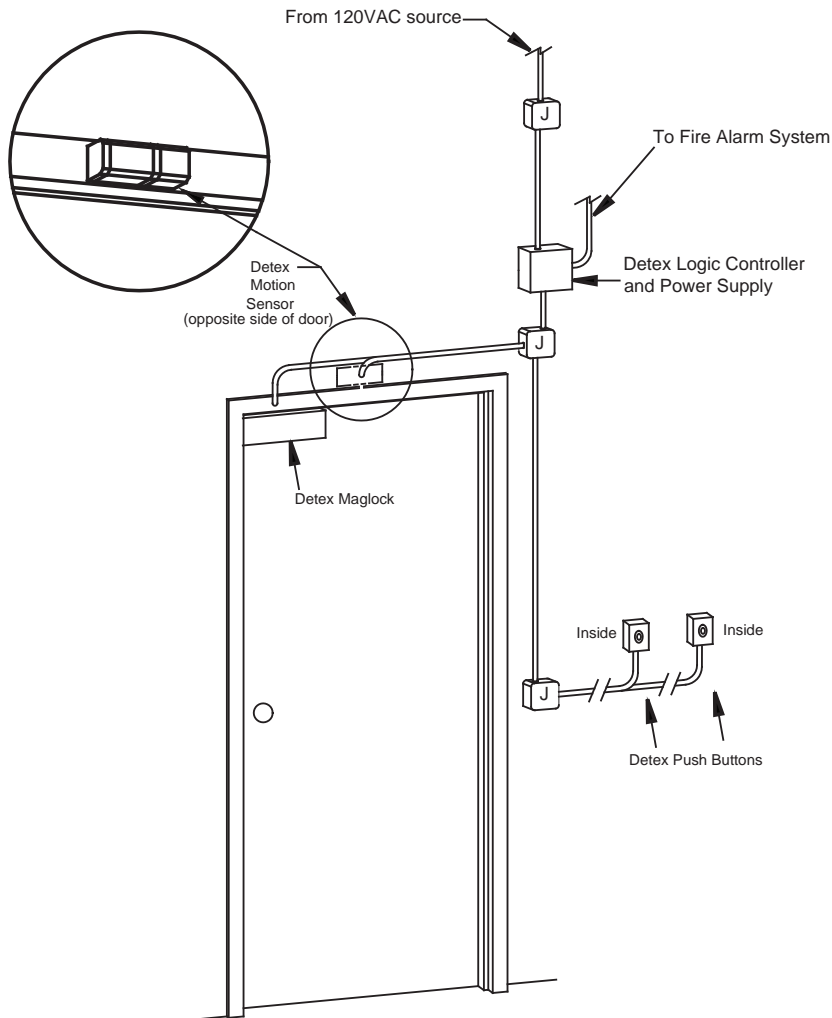
- Easy installation with integrated components
- Motion detector unlocks magnetic lock allowing controlled access
- Push button unlocks magnetic lock allowing controlled access
- Minimal door and frame prep saves time and money

Features


- Kit includes, Power supply, magnetic lock, motion sensor, push button and point-to-point drawing
- May be wired to fire alarm for emergency release compliance
- Magnetic lock is equipped with a field adjustable timer to control the amount of time the magnet remains unlocked once the push button is activated.
NOTE: When used in a means of egress, code requires a minimum of 30 seconds.
- Complies with NFPA 101 Access Controlled Egress Door Assemblies

Technical Information

- Door Types - Wood, Hollow Metal, Fiberglass or Aluminum



Detex Corporation
302 Detex Drive
New Braunfels, Texas 78130-3045 USA
PH. (830) 629-2900
(800) 729-3839
FAX (800) 653-3839
<http://www.detex.com>
USA Sales:
marketing@detex.com
International Sales:
export@detex.com

 Cancer & Reproductive Harm - www.detex.com/prop65

EasyKit®

ACDxEAX-2500Sx1S-X Access Controlled Doors

The ACDxEAX-2500 EasyKit offers industry-proven security hardware for exit doors. With its 100db horn and strobe, it is designed for use in environments where loud noises could possibly mask the sound of the alarm alone, which would sound when an unauthorized use of the exit occurs. The strobe gives you the visual indication in the event you cannot hear the alarm.



Exit Alarm



Magnetic Switch



Power Supply



Horn/Strobe

ACDxEAX-2500Sx1S-5FXG (shown)

Benefits

- Field selectable features allow customer to choose status indicators and auto rearm options
- 100dB piezo horn provides security for restricted doors
- Easy to install using ordinary tools
- Strobe provides visual indication when door is violated
- 90-800 power supply provides power for entire system
- Point to Point Wiring Diagram

Features

- Surface & Flush mount available
- Horn/Strobe has plastic back box
- Tamper resistant housing and cover protects electronics from manipulation
- Low battery alert is field selectable
- Alarm status indicator is field selectable

Mechanical Options

- KS - Key Stop (Key removed only when armed)
- Additional magnetic switch for double door applications
- EAX-2500 Flush or Surface

Electrical Options

- Configuration allows the EasyKit to match your field voltage (277V, 120V)

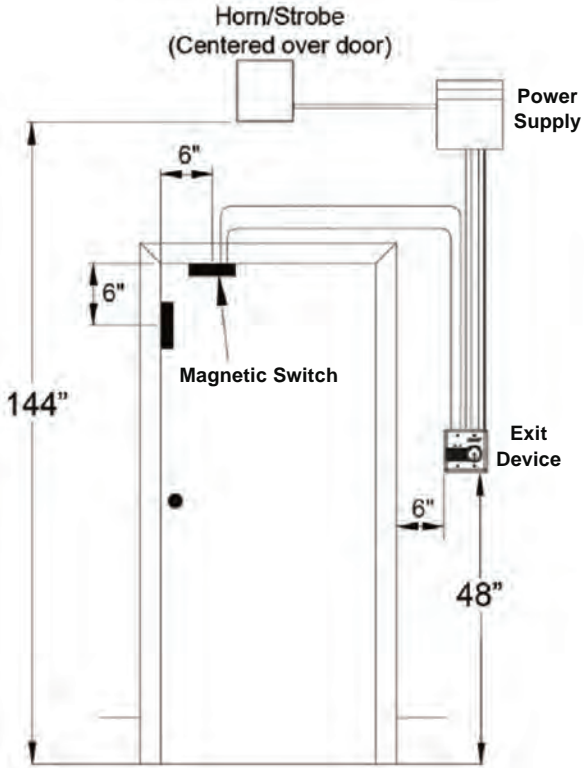
Accessories

- MC65 - Mortise cylinder installed at factory
- IC7 - Interchangeable housing installed at factory

Finishes

- Grey (Std.)
- Black

Riser Diagram



Listings and Approvals

EAX-2500S



ANSI/BHMA
A156.29

90-800



UL Listed

Horn/Strobe



UL Listed Outdoor Products to
UL 1638 (Strobe) and
UL 464 (Horn)
UL 1971 Signaling Appliances

Detex Limited Warranty

3 Year Manufacturer's Limited
Warranty



Detex Corporation
 302 Detex Drive
 New Braunfels, Texas 78130-3045 USA
 PH. (830) 629-2900
 (800) 729-3839
 FAX (800) 653-3839
 http://www.detex.com
 USA Sales:
 marketing@detex.com
 International Sales:
 export@detex.com

Cancer & Reproductive Harm - www.detex.com/prop65

EasyKit®

ACDxV40EX

Sales Floor To Stock Room Battery Powered Access Controlled Door

Designed to limit stockroom access to employees only, the ACDxV40EXx1S-1 EasyKit offers industry-proven code compliant life safety and security hardware for high-use doors with a cost-effective alarmed access control solution. Employees enter a common access code, temporarily bypassing the alarm and allowing an employee to enter the stockroom without sounding the alarm. A stockroom keypad is no longer required and the employee can quickly and easily return to the sales floor without fear of an alarm sounding. Customers trying to enter the stockroom will cause an alarm to sound, which can only be reset with an employee entering a common access code. Code compliant for both emergency exit doors and fire exit doors, the stockroom to sales floor EasyKit helps control who enters your stockroom.



Benefits

- Cost-effective alarmed access control with panic hardware in one easy-to-install kit
- Pin code can be changed in seconds with no keys or cards to manage
- Easy-to-replace standard 9-Volt batteries
- Tough and durable design for years of trouble-free service in high-use environments
- Minimal door prep with no through-door wiring saves time and money

Features

- Alarm features digital codes for Master, Management and Passage (used for Auto-Arming)
- Stainless steel deadlocking Pullman-type latch bolt on exit device
- Multiple door monitoring
- Non-handed
- Field sizeable panic device
- Alarm is tamper switch supervised
- Alarm can be hardwired (power transfer or electric hinge required and sold separately)
- Heavy-duty angled end cap deflects damage away from panic device
- Alarm has audible low battery warning
- Alarm has audible volume control adjust

Mechanical Options

- F - 3-Hour Fire Rated (panic device) - Specify ACDxFV40EXx1S-1
- 36 - Fits 36" door width for right hand reverse door (Std.) - Contact factory for left hand reverse
- 48 - Fits 48" door width for right hand reverse door - Specify ACDxV40EXx1S-2 - Contact factory for left hand reverse

Accessories (sold separately)

- SN1 - Sex Nut Fasteners
- SSK1 - Torx Security Screw Kit
- EWH8-626 - Electric Hinge
- PT-5 - Power Transfer

For more information on V40 Series exit devices, see individual catalog pages

Technical Information

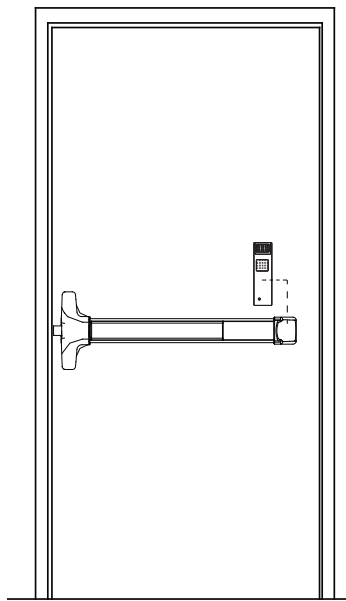
- Door Types - Wood, Hollow Metal, Fiberglass or Aluminum
- Door Stile - Fits minimum 5" wide stile with 99 strike (Std.)
- Alarm dimensions: 9.5"L x 2.5"W x 2.66" D
- Door Thickness - Fits standard 1-3/4" - 2-1/4" (for other door thicknesses, contact factory)
- Machine and Sheet Metal Screws (Std.)
- Alarm features 95dB (10') Piezo electronic sounder
- Rail - Heavy Ribbed Aluminum Extrusion

Finishes

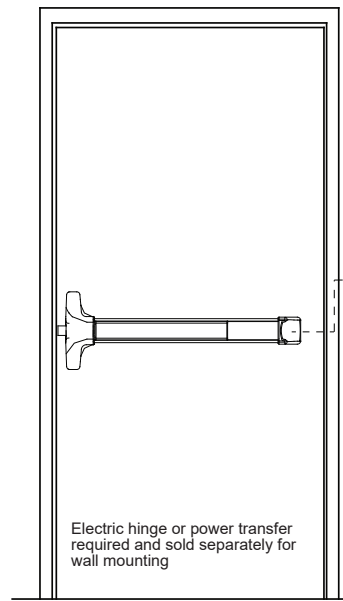
Value Series Finish: 628 Aluminum (Std.)

Alarm Finish: Metallic Silver

Riser Diagram



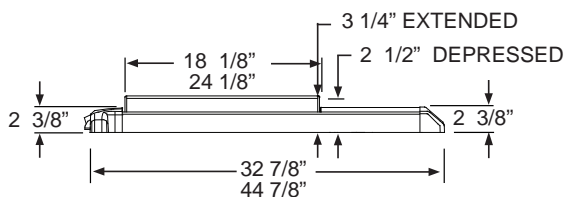
Keypad alarm mounted on door



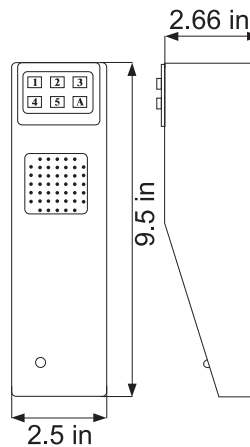
Keypad alarm mounted on wall

Dimensions

Value Series



Door Alarm




Detex Limited Warranty

10 Year Mechanical / 2 Year Electrical Manufacturer's Limited Warranty

Where Trust is Built™
DETEx[®]
Life Safety and Security Door Hardware

Detex Corporation
 302 Detex Drive
 New Braunfels, Texas 78130-3045 USA
 PH. (830) 629-2900
 (800) 729-3839
 FAX (800) 653-3839
<http://www.detex.com>
 USA Sales:
marketing@detex.com
 International Sales:
export@detex.com

 Cancer & Reproductive Harm - www.detex.com/prop65

EasyKit®

DEx10EX

Delayed Egress With Electromagnetic Lock

The DE EasyKits provide a secure system with 15-second delay and 100dB alarm when someone attempts to exit. The DE EasyKit is ideal for retail stores, healthcare, assisted-living facilities, childcare, sports arenas and any location where a special locking delayed exit is required to prevent theft or to protect those trying to exit.



(Shown with 10 Series Rim Exit Device - Available with 10/40 Rim, 30 Mortise and 20/21/50/51 Surface Vertical Rod Devices)

Benefits

- Best-in-class components provide for fast, easy installation
- All hardware items provided with one easy-to-order, easy-to-specify part number
- Controls foot traffic, deters unauthorized exits, reduces employee and customer theft while providing a life safety, code-compliant application
- Key switch with LED's and horn are mounted on the wall, protecting the electronics from swinging into the weather

Features

- Configured Delayed Egress EasyKit includes all hardware, instructions, riser illustration and point-to-point wiring diagram
- Factory-programmed, pre-wired delayed egress controller / power supply
- Advantex panic device has stainless steel deadlocking Pullman-type latch bolt
- 100dB alarm
- Electromagnetic lock has 1500+ lbs. of holding force
- Form C, momentary key switch with green and red LEDs, arms, disarms and resets system
- Code-compliant delayed egress signage
- Hardware is non-handed (10/40) or reversible
- Fire Alarm override connected at controller / power supply
- Remote bypass and signaling options available
- Heavy-duty angled end cap deflects damage away from panic device
- Available in various configurations, for single and paired openings
- Easily add various access control options with or without an anti-tailgating option

Mechanical Options

- F - 3-Hour Fire Rated
- H - Hurricane Rated
- CD - Cylinder Dogging
- LD - Less Dogging
- 36 - Fits 36" Door Width (Std.)
- 48 - Fits 48" Door Width
- 99 - Surface Strike
- 98 - Semi Mortise Strike

Electrical Options

- 1 to 3 second adjustable nuisance alarm
- 120 Volt in/24 Volt out (Std.)
- Also available 277 Volt and 240 Volt

Accessories

- SN1 – Sex Nut Fasteners
- SSK - Torx Security Screw Kit
- Various brackets/spacers for Magnetic Lock(s)
- GB - Glass Bead Kits

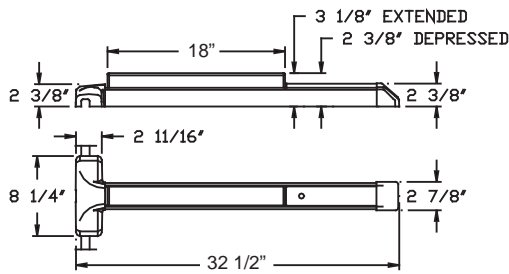
Technical Information

- Door Types - Wood, Hollow Metal, Fiberglass or Aluminum
- Minimum Stile - Advantex 10 Series: 4-5/8" with surface strike or 4-1/8" with optional semi-mortise strike
- Minimum Stile - Advantex 40, 50 Series: 2" with standard semi-mortise strike or 2-1/2" with optional surface strike

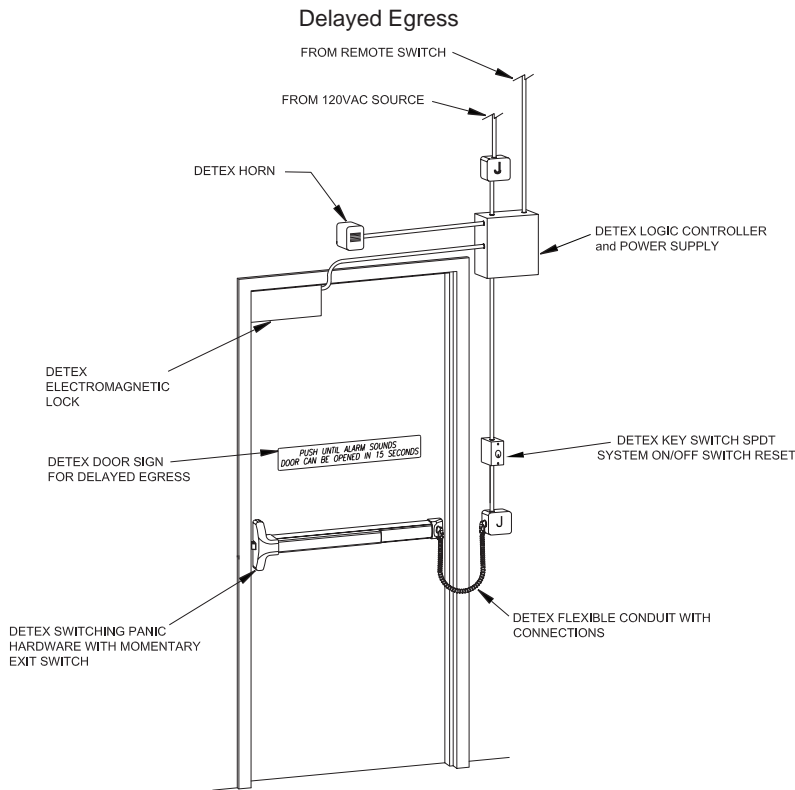
Finishes

605 / US3	Polished Brass	612 / US10	Brushed Bronze	629 / US32	Polished Stainless Steel
606 / US4	Brushed Brass	613 / US10B	Oil Rubbed Bronze	630 / US32D	Brushed Stainless Steel
611 / US9	Polished Bronze				

Dimensions (10 Series Shown)



Riser Diagram



Listings and Approvals Advantex

- UL Listed Panic Hardware
- UL Listed Fire Exit Hardware for 3 hours, maximum
- 4'x10' single doors and pairs of 4'x8' with F90KR key removable Mullion
- Meets ADA requirements
- UBC 97, Standard 7-2 and UL10C for positive pressure
- ANSI/BHMA certified A156.3
- Meets NFPA 80 & 101 for Life Safety
- Miami-Dade County, Florida NOA 10-0303.02 EXP. 04/07/15 } 10/40 Series Only
- State of Florida Approval FL9052
- California State Fire Marshall - 4140-0127:105 and 3725-0127:108

Detex Limited Warranty
Advantex - 10 Year Mechanical /
3 Year Electrical Manufacturers
Limited Warranty



Detex Corporation
 302 Detex Drive
 New Braunfels, Texas 78130-3045 USA
 PH. (830) 629-2900
 (800) 729-3839
 FAX (800) 653-3839
<http://www.detex.com>
 USA Sales:
marketing@detex.com
 International Sales:
export@detex.com

Cancer & Reproductive Harm - www.detex.com/prop65

EasyKit® DEx10EEX

Delayed Egress Without Electromagnetic Lock

The DE EasyKits provide a secure system with 15-second delay and 100dB alarm when someone attempts to exit. The DE EasyKit is ideal for retail stores, healthcare, assisted-living facilities, childcare, sports arenas and any location where a special locking delayed exit is required to prevent theft or to protect those trying to exit.



(Shown with 10 Series Rim Exit Device - Available with 10/40 Rim, 30 Mortise and 20/21/50/51 Surface Vertical Rod Devices)

Benefits

- Best-in-class components provide for fast, easy installation
- All hardware items provided with one easy-to-order, easy-to-specify part number
- Controls foot traffic, deters unauthorized exits, reduces employee and customer theft while providing a life safety, code-compliant application
- Key switch with LED's and horn are mounted on the wall, protecting the electronics from swinging into the weather

Features

- Configured Delayed Egress EasyKit includes all hardware, instructions, riser illustration and point-to-point wiring diagram
- Factory-programmed, pre-wired delayed egress controller / power supply
- Advantex panic device has stainless steel deadlocking Pullman-type latch bolt
- Remote bypass and signaling options available
- 10 ft. flex conduit loop
- Form C, momentary key switch with green and red LEDs, arms, disarms and resets system
- Code-compliant delayed egress signage
- All hardware is non-handed or reversible
- Fire Alarm override connected at controller / power supply
- Heavy-duty angled end cap deflects damage away from panic device
- Available in various configurations, for single and paired openings
- Easily add various access control options with or without an anti-tailgating option
- System does not require magnetic lock, panic provides delayed exit
- 100dB Alarm

Mechanical Options

- F - 3-Hour Fire Rated
- H - Hurricane Rated
- CD - Cylinder Dogging
- LD - Less Dogging
- HD - Hex Dogging
- 36 - Fits 36" Door Width (Std.)
- 48 - Fits 48" Door Width
- 99 - Surface Strike
- 98 - Semi Mortise Strike

Electrical Options

- 1 to 3 second adjustable nuisance alarm
- 120 Volt in/24 Volt out (Std.)
- Also available 277 Volt and 240 Volt

Accessories

- SN1 – Sex Nut Fasteners
- SSK - Torx Security Screw Kit
- GB - Glass Bead Kits

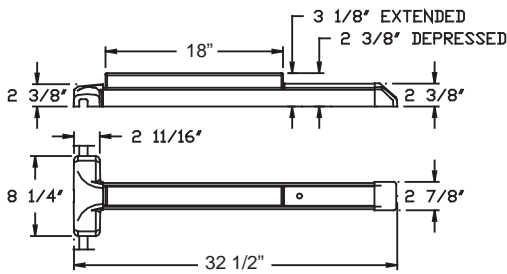
Technical Information

- Door Types - Wood, Hollow Metal, Fiberglass or Aluminum
- Minimum Stile - Advantex 10 Series: 4-5/8" with surface strike or 4-1/8" with optional semi-mortise strike
- Minimum Stile - Advantex 40, 50 Series: 2" with standard semi-mortise strike or 2-1/2" with optional surface strike

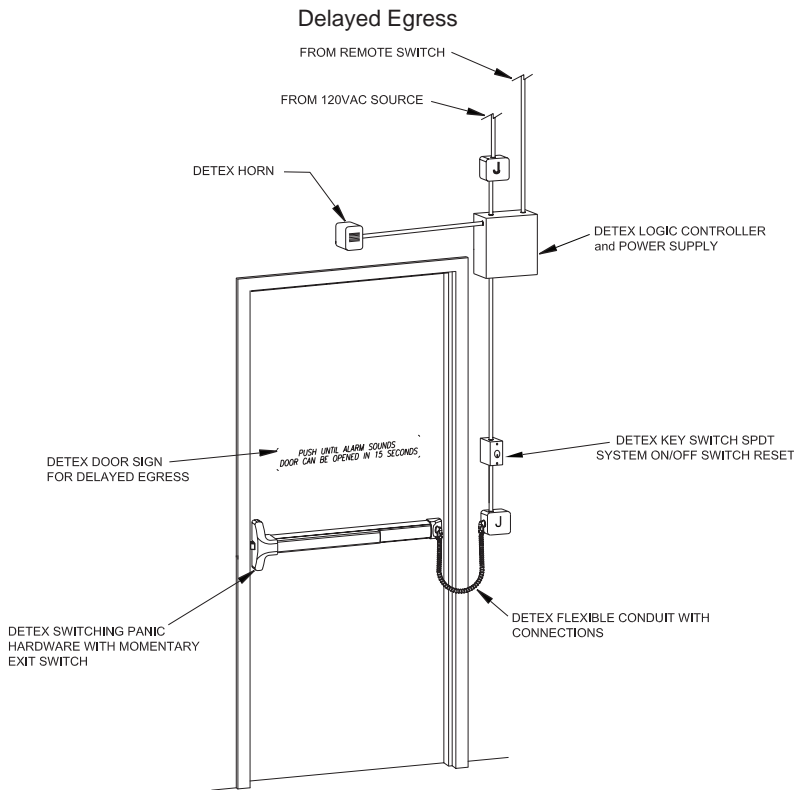
Finishes

605 / US3	Polished Brass	612 / US10	Brushed Bronze	629 / US32	Polished Stainless Steel
606 / US4	Brushed Brass	613 / US10B	Oil Rubbed Bronze	630 / US32D	Brushed Stainless Steel
611 / US9	Polished Bronze				

Dimensions (10 Series Shown)



Riser Diagram



Listings and Approvals Advantex

- UL Listed Panic Hardware
- UL Listed Fire Exit Hardware for 3 hours, maximum
- 4'x10' single doors and pairs of 4'x8' with F90KR key removable Mullion
- Meets ADA requirements
- UBC 97, Standard 7-2 and UL10C for positive pressure
- ANSI/BHMA certified A156.3
- Meets NFPA 80 & 101 for Life Safety
- Miami-Dade County, Florida NOA 10-0303.02 EXP. 04/07/15 } 10/40 Series Only
- State of Florida Approval FL9052
- California State Fire Marshall - 4140-0127-105 and 3725-0127-108

Detex Limited Warranty
Advantex - 10 Year Mechanical / 3 Year Electrical Manufacturers Limited Warranty



Detex Corporation
 302 Detex Drive
 New Braunfels, Texas 78130-3045 USA
 PH. (830) 629-2900
 (800) 729-3839
 FAX (800) 653-3839
<http://www.detex.com>
 USA Sales:
marketing@detex.com
 International Sales:
export@detex.com

Cancer & Reproductive Harm - www.detex.com/prop65

EasyKit® WDEx10EX

Weatherized Delayed Egress With Electromagnetic Lock

The WDE EasyKits provide a secure 2-point locking system with 15-second delay and 100dB alarm when someone attempts to exit. The WDE EasyKit is perfect for garden center gates, amusement parks, sports arenas and any location exposed to weather or moisture where delayed exit is required. Although ideal in helping prevent theft, in applications such as outdoor childcare and assisted living homes, WDE EasyKit can also be used to help protect those trying to exit.



Benefits

- Best-in-class components provide for fast, easy installation
- All hardware items provided with one easy-to-order, easy-to-specify part number
- Immersion-proof switching and corrosion resistant components provide years of trouble-free service
- Controls foot traffic, deters unauthorized exits, reduces employee and customer theft while providing a life safety, code compliant application

Features

- Configured Weatherized Delayed Egress EasyKit includes all hardware, instructions, riser illustration and point-to-point wiring diagram
- Factory-programmed, pre-wired, delayed egress controller/power supply
- NEMA 4X enclosure protects controller/power supply from moisture and corrosive elements
- 10 ft. flex conduit loop
- Advantex Weatherized panic device has stainless steel dead locking Pullman-type latch bolt and weatherized switching
- Form C, momentary key switch with green and red LEDs, arms, disarms and resets system
- Outdoor protective key switch cover
- Outdoor horn has various field-adjustable tone and decibel settings. Strobe also available.
- Outdoor, code-compliant delayed egress signage
- All hardware is non-handed
- Fire Alarm override connected at controller/power supply
- Remote bypass and signaling options available
- Heavy-duty angled end cap deflects damage away from panic device
- Available in various configurations, for single and paired openings

Mechanical Options

- F - 3-Hour Fire Rated
- H - Hurricane Rated
- CD - Cylinder Dogging
- HD - Hex Dogging
- LD - Less Dogging (Std.)
- 36 - Fits 36" Door Width (Std.)
- 48 - Fits 48" Door Width
- 99 - Surface Strike (Std.)
- 98 - Semi Mortise Strike

Electrical Options

- 1 to 3 second code-compliant field-adjustable nuisance alarm
- 120V AC (Std.)
- Also available 277V and 240V logic controller/power supply

Accessories

- SN1 – Sex Nut Fasteners
- SSK - Torx Security Screw Kit
- Z bracket spacers for Magnetic Lock(s)
- GB - Glass Bead Kits

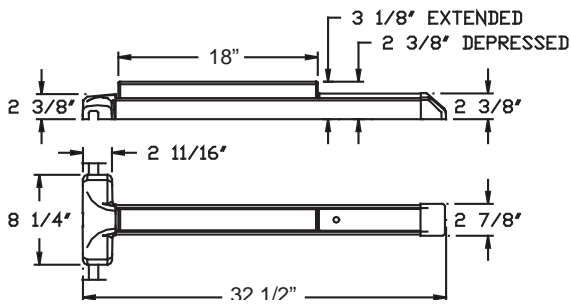
Technical Information

- Door Types - Hollow Metal, Fiberglass or Aluminum
- Gate Types - Gate plate must be at least 32" wide
- Stile - Advantex fits minimum 4-5/8" with 99 strike
- 1/4" maximum for vertical gap between gate and strike post
- Gate plate must accommodate panic device, see dimensions

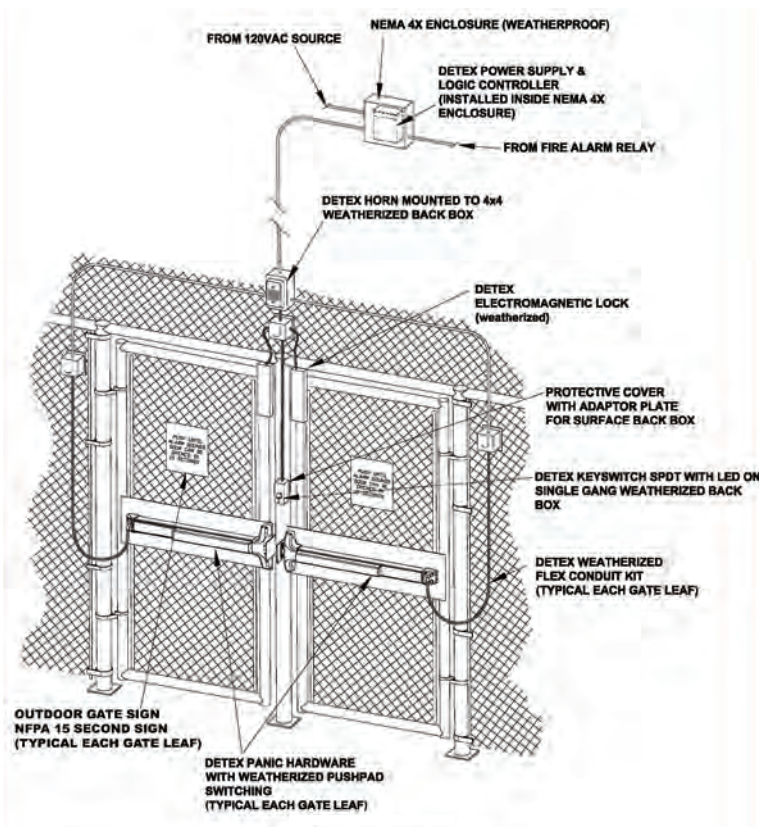
Finishes

605 / US3	Polished Brass	612 / US10	Brushed Bronze	629 / US32	Polished Stainless Steel
606 / US4	Brushed Brass	613 / US10B	Oil Rubbed Bronze	630 / US32D	Brushed Stainless Steel
611 / US9	Polished Bronze				

Dimensions



Riser Diagram



Listings and Approvals Advantex

- UL Listed Panic Hardware
- UL Listed Fire Exit Hardware for 3 hours, maximum
- UL Listed 4'x10' single doors and pairs of 4'x8' with F90KR key removable Mullion
- Meets ADA requirements
- MIL-STD 810F, Method 506.4 (Driving Rain Test)
- MIL-STD 810F, Method 509.4 (Salt fog Test)
- UBC 97, Standard 7-2 and UL10C for positive pressure
- ANSI/BHMA certified
- Meets NFPA 80 & 101 for Life Safety
- Miami-Dade County, Florida NOA 10-0303.02 EXP 04/07/15 State of Florida Approval FL9052 } 10/40 Series Only
- California State Fire Marshall - 4140-0127-105 & 3725-0127-108

Detex Limited Warranty

Advantex - 10 Year Mechanical / 3 Year Electrical Manufacturers Limited Warranty



Detex Corporation
 302 Detex Drive
 New Braunfels, Texas 78130-3045 USA
 PH. (830) 629-2900
 (800) 729-3839
 FAX (800) 653-3839
 http://www.detex.com
 USA Sales:
 marketing@detex.com
 International Sales:
 export@detex.com

Cancer & Reproductive Harm - www.detex.com/prop65

EasyKit®

WDEx10EEX

Weatherized Delayed Egress Without Electromagnetic Lock

The WDE EasyKits provide a secure outdoor system with 15-second delay and 100dB alarm when someone attempts to exit. The WDE EasyKit is perfect for garden center gates, amusement parks, sports arenas and any location exposed to weather or moisture where delayed exit is required. Although ideal in helping prevent theft, in applications such as outdoor childcare and assisted living homes, WDE EasyKit can also be used to help protect those trying to exit.



Shown with 10 Series Rim Exit Device - Available with 10/40 Rim (For Mortise and Vertical Rod Applications contact factory)

Benefits

- Immersion-proof switching and corrosion resistant components provide years of trouble-free service
- All hardware items provided with one easy-to-order, easy-to-specify part number
- Best-in-class components provide for fast, easy installation
- Advantex weatherized panic device includes internal blocker and switches to provide easy installation without a magnetic lock
- Controls foot traffic, deters unauthorized exits, reduces employee and customer theft while providing a life safety, code compliant application

Features

- Configured Weatherized Delayed Egress EasyKit includes all hardware, instructions, riser illustration and point-to-point wiring diagram
- Factory-programmed, pre-wired, delayed egress controller/power supply
- NEMA 4X enclosure protects controller/power supply from moisture and corrosive elements
- Advantex Weatherized panic device has stainless steel dead-locking Pullman-type latch bolt
- 10 ft. flex conduit loop
- Form C, momentary key switch with green and red LEDs, arms, disarms and resets system
- Outdoor protective key switch cover
- Outdoor horn has various field-adjustable tone and decibel settings. Strobe also available.
- Available in various configurations, for single and paired openings
- Outdoor, code-compliant delayed egress signage
- All hardware is non-handed
- Fire Alarm override connected at controller/power supply
- Remote bypass and signaling options available
- Heavy-duty angled end cap deflects damage away from panic device
- System does not require magnetic lock, panic provides delayed exit

Mechanical Options

- F - 3-Hour Fire Rated
- H - Hurricane Rated
- CD - Cylinder Dogging
- HD - Hex Dogging
- LD - Less Dogging (Std.)
- 36 - Fits 36" Door Width (Std.)
- 48 - Fits 48" Door Width
- 99 - Surface Strike (Std.)
- 98 - Semi Mortise Strike

Electrical Options

- 1 to 3 second code-compliant field-adjustable nuisance alarm
- 120V AC (Std.)
- Also available 277V and 240V logic controller/power supply

Where Trust is Built™
DETEX®
Life Safety, Security and Security Assurance

Accessories

- SN1 – Sex Nut Fasteners
- SSK - Torx Security Screw Kit
- GB - Glass Bead Kits

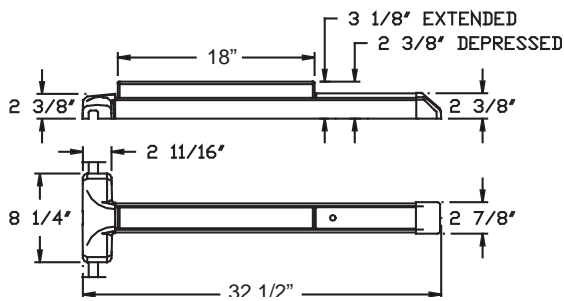
Technical Information

- Door Types - Hollow Metal, Fiberglass or Aluminum
- Gate Types - Gate plate must be at least 32" wide
- Stile - Advantex fits minimum 4-5/8" with 99 strike
- 1/4" maximum for vertical gap between gate and strike post
- Gate plate must accommodate panic device, see dimensions

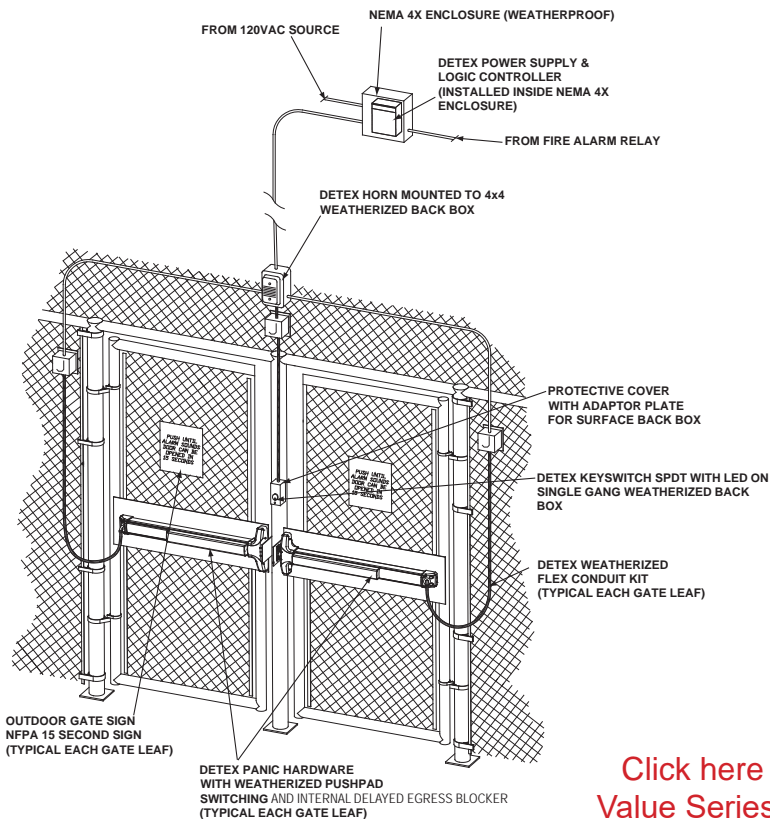
Finishes

605 / US3	Polished Brass	612 / US10	Brushed Bronze	629 / US32	Polished Stainless Steel
606 / US4	Brushed Brass	613 / US10B	Oil Rubbed Bronze	630 / US32D	Brushed Stainless Steel
611 / US9	Polished Bronze				

Dimensions



Riser Diagram



Listings and Approvals Advantex

- UL Listed Panic Hardware
- UL Listed Fire Exit Hardware for 3 hours, maximum 4'x10' single doors and pairs of 4'x8' with F90KR key removable Mullion
- Meets ADA requirements
- MIL-STD 810F, Method 506.4 (Driving Rain Test)
- MIL-STD 810F, Method 509.4 (Salt fog Test)
- UBC 97, Standard 7-2 and UL10C for positive pressure
- ANSI/BHMA certified
- Meets NFPA 80 & 101 for Life Safety
- Miami-Dade County, Florida } 10/40 Series
NOA 10-0303.02 EXP. 04/07/15 } Only
State of Florida Approval FL9052
- California State Fire Marshall - 4140-0127:105 & 3725-0127:108

Detex Limited Warranty

Advantex - 10 Year Mechanical / 3 Year Electrical Manufacturers Limited Warranty



Detex Corporation
 302 Detex Drive
 New Braunfels, Texas 78130-3045 USA
 PH. (830) 629-2900
 (800) 729-3839
 FAX (800) 653-3839
 http://www.detex.com
 USA Sales:
 marketing@detex.com
 International Sales:
 export@detex.com

Click here for the Value Series version of this EasyKit

Cancer & Reproductive Harm - www.detex.com/prop65



WDExV40EEX

WDExV50EEX

Weatherized Delayed Egress Without Electromagnetic Lock

The WDE EasyKits provide a secure outdoor system with 15-second delay and 100dB alarm when someone attempts to exit. The WDE EasyKit is perfect for garden center gates, amusement parks, sports arenas and any location exposed to weather or moisture where delayed exit is required. Although ideal in helping prevent theft, in applications such as outdoor childcare and assisted living homes, WDE EasyKit can also be used to help protect those trying to exit.



Logic Controller/
Power Supply



Value Series Weatherized
Rim Exit Device



Exterior
Horn



Key
Switch
with
Exterior Cover

Also Includes:
NEMA 4X Enclosure,
Mortise Cylinder,
Code compliant
Outdoor Sign
and
Surface Armored
Cable Loop
(not shown)
Riser Illustration
Wiring Diagram

Shown with V40 Rim Exit Device (Also available with V50 Surface Vertical Rod Exit Device)

Benefits

- Immersion-proof switching and corrosion resistant components provide years of trouble-free service
- All hardware items provided with one easy-to-order, easy-to-specify part number
- Best-in-class components provide for fast, easy installation
- Value Series weatherized panic device includes internal blocker and switches to provide easy installation without a magnetic lock
- Controls foot traffic, deters unauthorized exits, reduces employee and customer theft while providing a life safety, code compliant application

Features

- Configured Weatherized Delayed Egress EasyKit includes all hardware, instructions, riser illustration and point-to-point wiring diagram
- Factory-programmed, pre-wired, delayed egress controller/power supply
- Available in various configurations, for single and paired openings
- Value Series weatherized panic device has stainless steel dead-locking Pullman-type latch bolt
- 10 ft. flex conduit loop
- Form C, momentary key switch with green and red LEDs, arms, disarms and resets system
- Outdoor protective key switch cover
- Outdoor horn has various field-adjustable tone and decibel settings. Strobe also available.
- NEMA 4X enclosure protects controller/power supply from moisture and corrosive elements
- Outdoor, code-compliant delayed egress signage
- All hardware is non-handed
- Fire Alarm override connected at controller/power supply
- Remote bypass and signaling options available
- Angled end cap deflects damage away from panic device
- System does not require magnetic lock, panic provides delayed exit

Mechanical Options

- F - 3-Hour Fire Rated
- H - Hurricane Rated
- CD - Cylinder Dogging
- HD - Hex Dogging
- LD - Less Dogging (Std.)
- 36 - Fits 36" Door Width (Std.)
- 48 - Fits 48" Door Width
- 99 - Surface Strike (Std.)
- 98 - Semi Mortise Strike
- Available with 628 Base Rail Extrusion (Std.)
- Available with 711 Base Rail Extrusion

Electrical Options

- 1 to 3 second code-compliant field-adjustable nuisance alarm
- 120V AC (Std.)
- Also available 277V and 240V logic controller/power supply



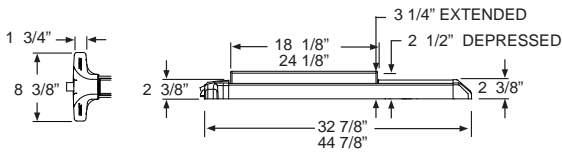
Accessories

- SN1 – Sex Nut Fasteners
- SSK - Torx Security Screw Kit
- GB - Glass Bead Kits

Technical Information

- Door Types - Hollow Metal, Fiberglass or Aluminum
- Gate Types - Gate plate must be at least 32" wide
- 1/4" maximum for vertical gap between gate and strike post
- Gate plate must accommodate panic device, see dimensions

Dimensions

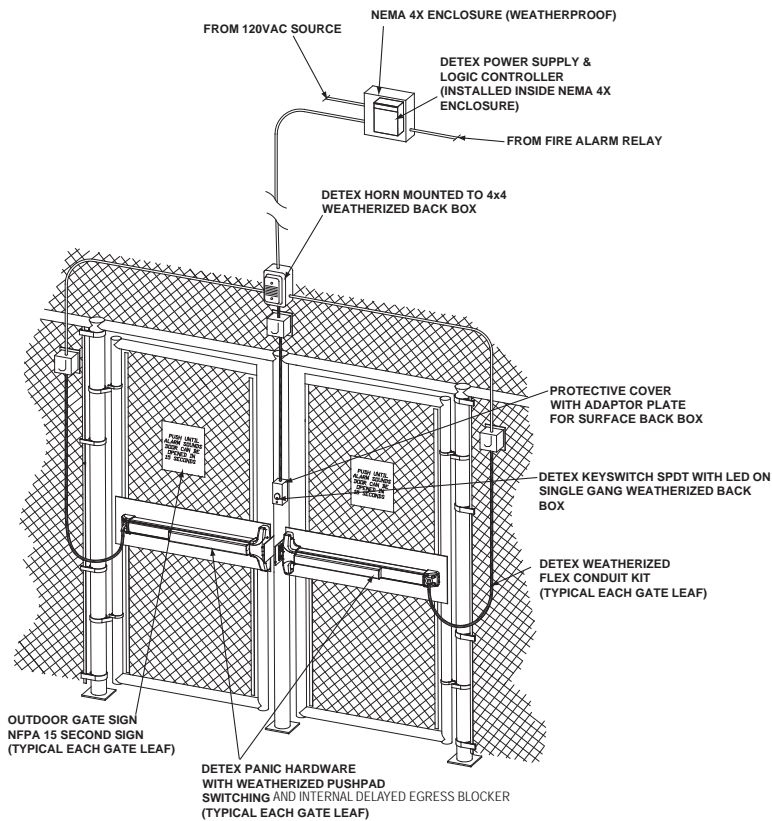


18 1/8" & 32 7/8"
device dimensions for 36" door

24 1/8" & 44 7/8"
device dimensions for 48" door

Add 2" for NS

Riser Diagram



Listings and Approvals Value Series



UL Listed Panic Hardware



UL Listed Fire Exit Hardware for 3 hours, maximum 4'x10' single doors and pairs of 4'x8' with F90KR keyed removable mullion
UL Listed Controlled Exit Device (FULA)

UL Listed Special Locking Arrangements (FWAX)



Meets ADA requirements



ANSI/BHMA certified A156.3



ULC 97, Standard 7-2 and UL 10B/UL10C for positive pressure



Meets NFPA 80 & 101 for Life Safety



State of Florida Approval



Texas Department of Insurance

Detex Limited Warranty

Value Series - 10 Year Mechanical / 3 Year Electrical Manufacturers Limited Warranty



Detex Corporation
302 Detex Drive
New Braunfels, Texas 78130-3045 USA
PH. (830) 629-2900
(800) 729-3839
FAX (800) 653-3839
http://www.detex.com
USA Sales:
marketing@detex.com
International Sales:
export@detex.com

Cancer & Reproductive Harm - www.detex.com/prop65



EDx10 EDx20/21 EDx30 EDx40 EDx50/51

Electric Dogging

The Electric Dogging EasyKits are designed for entrance and exit doors that require panic or fire exit hardware. When energized, and after the pushpad is depressed, the pushpad and the latch bolt remain retracted, providing push-pull operation. Relocking all devices is accomplished by using a single switch or through a fire alarm input. All components required for this installation are included in one easy-to-order kit.



Power Supply
(90-800 Shown)



Electric Dogging Exit Device
(10 Series Shown)

Also Included:

Outside Trim (Call
Factory for Options)

Wiring Diagram

(Shown on 10 Series Rim Exit Device - Available with 10/40 Rim, 30 Mortise, 20/21/50/51 Surface Vertical Rod, and 60/61/62/63/70/71/80/81/82/83 Concealed Vertical Rod Devices)

Benefits

- Best-in-class components provide for fast, easy installation
- All components included in one, easy-to-specify part number
- Great for locking down large campuses, using a single switch

Features

- Configured Electric Dogging EasyKit includes all hardware, instructions, riser illustration and point-to-point wiring diagram
- Advantex panic device has stainless steel deadlocking Pullman-type latch bolt
- Heavy-duty angled end cap deflects damage away from panic device
- Exit hardware (10/40) is non-handed or reversible
- Available in various configurations, for single or paired openings

Mechanical Options

- F - 3-Hour Fire Rated exit device
- 36 - Fits 36" door width (Std.)
- 99 - Surface strike (Std.)
- 48 - Fits 48" door width
- 98 - Semi mortise strike

Accessories

- SN1 - Sex Nut Fasteners
- Various configurable cylinder trims, pulls and levers (Call factory for specific details)
- GB# - Glass Bead Kits

Electrical Options

- 90-800 Power Supply - 24VDC filtered, regulated with fire loop connection
- Request to Exit (EX)
- PP-5152-2 24VAC Transformer

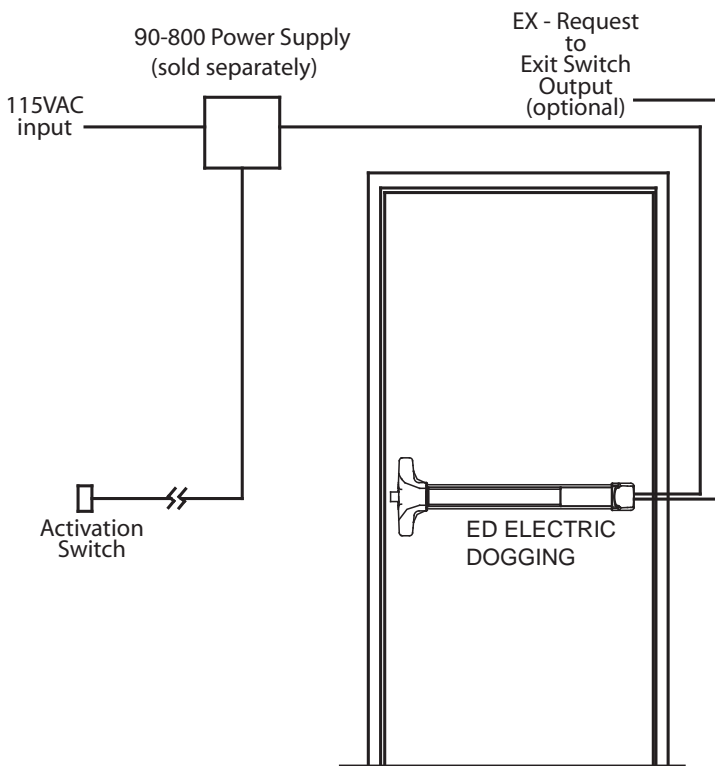
Technical Information

- Door Types - Wood, Hollow Metal, Fiberglass or Aluminum
- Door Stile - Fits Minimum 4-5/8" with 99 strike (Std.)
- Machine and Sheet Metal Screws (Std.)
- Door Thickness - Fits standard 1-3/4" - 2-1/4" (for other door thicknesses, contact factory)
- Door Stile - Fits Minimum 4-1/8" with 98 strike
- Rail is heavy ribbed aluminum extrusion

Finishes (Advantex)

- 605 / US3 - Polished Brass
- 612 / US10 - Brushed Bronze
- 629 / US32 - Polished Stainless Steel
- 606 / US4 - Brushed Brass
- 613 / US10B - Oil Rubbed Bronze
- 630 / US32D - Brushed Stainless Steel
- 611 / US9 - Polished Bronze

Riser Diagram



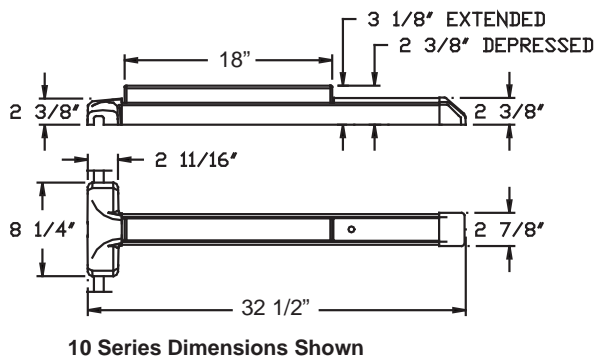
Listings and Approvals

See individual Series (i.e. 10 Series) information for listings and approvals

Detex Limited Warranty

Advantex - 10 Year Mechanical / 3 Year Electrical Manufacturers Limited Warranty

Dimensions



Where Trust is Built™

DETEx®

Life Safety, Security and Security Assurance

Detex Corporation
 302 Detex Drive
 New Braunfels, Texas 78130-3045 USA
 PH. (830) 629-2900
 (800) 729-3839
 FAX (800) 653-3839
<http://www.detex.com>
 USA Sales:
marketing@detex.com
 International Sales:
export@detex.com

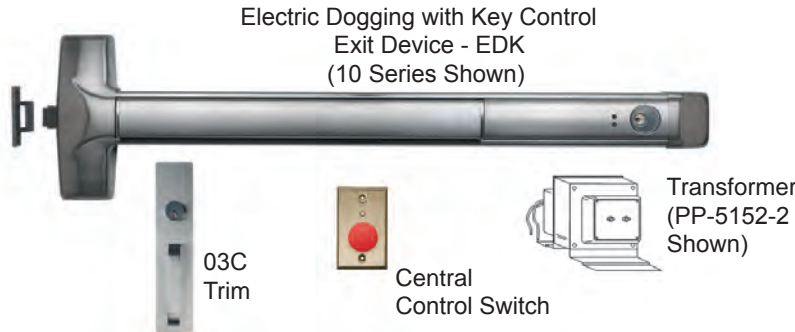
⚠ Cancer & Reproductive Harm - www.detex.com/prop65



EDKx10 EDKx20/21 EDKx30 EDKx40 EDKx50/51

Electric Dogging for Lockdown

The Electric Dogging EasyKits are designed for any door in any type of building where imminent danger to occupants requires immediate and simultaneous locking of multiple doors within the facility. When energized, and after the pushpad is depressed, the pushpad and the latch bolt remain retracted, providing push-pull operation. On-board key switch provides complete control of each device to key-holder. Immediate relocking of all devices is accomplished by using an external single switch or through a fire alarm input. LEDs offer visual indications of system status. All components required for this installation are included in one easy-to-order kit. For facilities with multiple doors, additional kits, without the central control switch, can be ordered.



Also Included:

- Outside Trim (Call Factory for Options)
- Wiring Diagram

(Shown on 10 Series Rim Exit Device - Available with 10/40 Rim, 30 Mortise and 20/21/50/51 Surface Vertical Rod Devices)

Benefits

- Best-in-class components provide for fast, easy installation
- Red and Green LED's provide line-of-sight status indication
- Great for locking down large campuses, using a single switch
- On board key switch provides easy on-off switching for individual door control
- All components included in one, easy-to-specify part number

Features

- Configured Electric Dogging EasyKit includes all hardware, instructions, riser illustration and point-to-point wiring diagram
- Advantex panic device has stainless steel deadlocking Pullman- type latch bolt
- Heavy-duty angled end cap deflects damage away from panic device
- Exit hardware (10/40) is non-handed or reversible
- Available in various configurations, for single or paired openings

Mechanical Options

- F - 3-Hour Fire Rated exit device
- 36 - Fits 36" door width (Std.)
- 99 - Surface strike (Std.)
- 48 - Fits 48" door width
- 98 - Semi mortise strike

Accessories

- SN1 - Sex Nut Fasteners
- Various configurable cylinder trims, pulls and levers (Call factory for specific details)
- GB# - Glass Bead Kits

Electrical Options

- Request to Exit (EX)
- 90-800 Power Supply - 24VDC filtered, regulated with fire loop connection
- ED without key control can be ordered for doors that do not require individual control
- PP-5152-2 24VAC Transformer

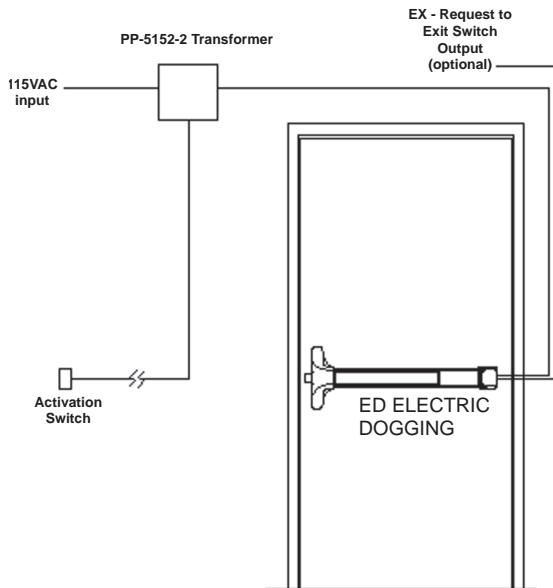
Technical Information

- Door Types - Wood, Hollow Metal, Fiberglass or Aluminum
- Door Stile - Fits Minimum 4-5/8" with 99 strike (Std.)
- Machine and Sheet Metal Screws (Std.)
- Door Thickness - Fits standard 1-3/4" - 2-1/4" (for other door thicknesses, contact factory)
- Door Stile - Fits Minimum 4-1/8" with 98 strike
- Rail is heavy ribbed aluminum extrusion

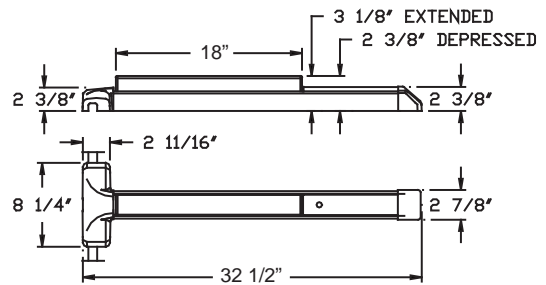
Finishes (Advantex)

- 605 / US3 - Polished Brass
- 612 / US10 - Brushed Bronze
- 629 / US32 - Polished Stainless Steel
- 606 / US4 - Brushed Brass
- 613 / US10B - Oil Rubbed Bronze
- 630 / US32D - Brushed Stainless Steel
- 611 / US9 - Polished Bronze

Riser Diagram



Dimensions



10 Series Dimensions Shown

Detex Limited Warranty

Advantex - 10 Year Mechanical / 3 Year Electrical Manufacturers Limited Warranty

Listings and Approvals (on 10 and 40 Series Devices)

- UL Listed Panic Hardware
- UL Listed Fire Exit Hardware for 3 hours, maximum
- 4'x10' single doors and pairs of 4'x8' with F90KR key removable Mullion
- Meets ADA requirements
- UBC 97, Standard 7-2 and UL10C for positive pressure
- ANSI/BHMA certified A156.3
- Meets NFPA 80 & 101 for Life Safety
- Miami-Dade County, Florida NOA 10-0303.02 EXP. 04/07/15
- State of Florida Approval FL9052
- California State Fire Marshall - 4140-0127:105 and 3725-0127:108

Listings and Approvals (on 20/21/50/51 Series Devices)

- UL Listed Panic Hardware
- UL Listed Fire Exit Hardware for 3 hours, maximum
- 4'x10' single doors and 8'x10' pairs of doors
- Meets ADA requirements
- UBC 97, Standard 7-2 and UL10C for positive pressure
- ANSI/BHMA certified A156.3
- Meets NFPA 80 & 101 for Life Safety
- California State Fire Marshall - 4140-0127:105 & 3725-1027:108

Where Trust is Built™
DETEX®
 Life Safety, Security and Security Assurance

Detex Corporation
 302 Detex Drive
 New Braunfels, Texas 78130-3045 USA
 PH. (830) 629-2900
 (800) 729-3839
 FAX (800) 653-3839
 http://www.detex.com
 USA Sales:
 marketing@detex.com
 International Sales:
 export@detex.com

Cancer & Reproductive Harm - www.detex.com/prop65

EasyKit®

AODx10ER AODx30ER AODx40ER

Automatically Operated Doors

The AOD EasyKits provide a pre-wired Automatic Operated Door system. Ideal ADA access at healthcare facilities, assisted living homes, main public entrances, places of worship, convention centers, sports arenas and any location requiring low energy, automatic operated doors with an exit device. The AOD EasyKit includes the Advantex Latch Retraction exit device, and the AO19 low-energy door operator, with a built-in, pre-wired power supply.



Contact factory to design the EasyKit for your special application

Shown with 10 Series Rim Exit Device - Available with 10/40 Rim, 30 Mortise, 20/21/50/51 Surface Vertical Rod Devices and 60/61/62/63/70/71/80/81/82/83 Concealed Vertical Rod Devices

Also Available: AOD EasyKit With EExER Delayed Egress with Latch Retraction

Benefits

- Automatic Operator is pre-wired with the latch retraction power supply, making installation fast and easy
- Best-in-class components provide years of trouble-free operation
- The reliable AO19 offers all the features you expect in an automatic door operator at no extra cost
- Turnkey, complete with everything needed, without a complicated installation job
- All hardware items, plus riser and wiring diagrams provided with one easy-to-order, easy-to-specify part number

Features

- AO19 includes adjustable time delay, push-and-go reverse on obstruction and sequencing for vestibule doors
- Heavy-duty angled end cap deflects damage away from device
- Available in various configurations, for single and paired openings
- Easily add various access control options with or without an anti-tailgating option

Mechanical Options

- AO19 available Left Hand (LH), Right Hand (RH), Push or Pull, Aluminum (AL) or Dark Bronze (BZ)
- EasyKits available with various rim, mortise, surface vertical and concealed vertical rod devices to fit various single, pairs and double egress applications
- 48 - Fits 48" Door Width
- F - 3-Hour Fire Rated
- 36 - Fits 36" Door Width (Std.)

Electrical Options

- 12 Volt in / 24 Volt out (Std.)
- Also available: EExER delayed egress with latch retraction

Accessories

- SN1 – Sex Nut Fasteners
- GB# - Glass Bead Kits

Where Trust is Built™
DETEX®
Integrated Door Security Systems

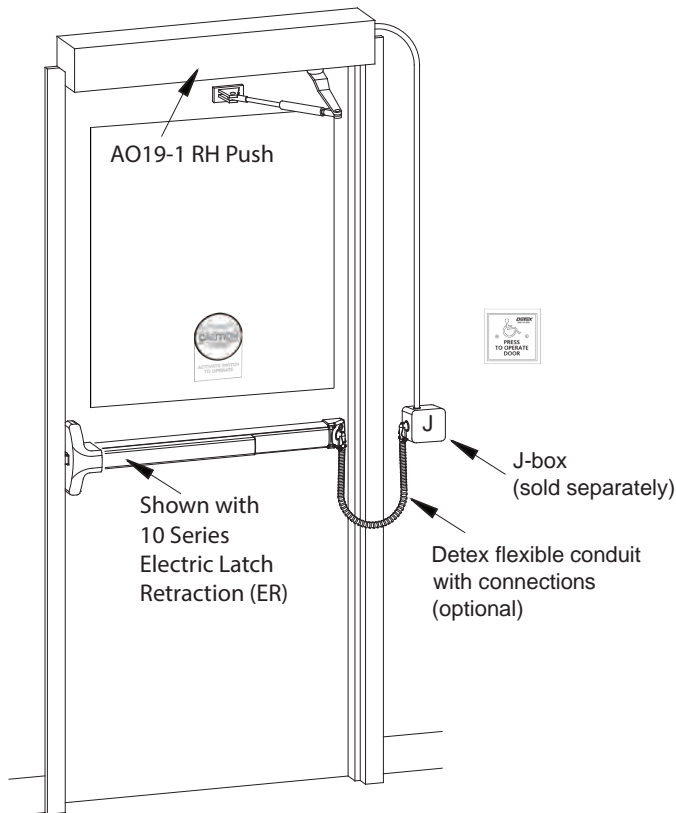
Technical Information

- Door Types - Wood, Hollow Metal, Fiberglass or Aluminum
- Minimum Stile - Advantex 10, 20 Series: 4-5/8" with surface strike or 4-1/8" with optional semi-mortise strike
- Minimum Stile - Advantex 40, 50 Series: 2" with standard semi-mortise strike or 2-1/2" with optional surface strike
- Minimum Stile - Advantex 60, 61, 62, 63 Series: 2"
- Minimum Stile - Advantex 70, 71 Series: 4 1/2"
- Minimum Stile - Advantex 80, 81, 82, 83 Series: 4 1/2"

Finishes (Advantex Products Only)

605 / US3	Polished Brass	612 / US10	Brushed Bronze	629 / US32	Polished Stainless Steel
606 / US4	Brushed Brass	613 / US10B	Oil Rubbed Bronze	630 / US32D	Brushed Stainless Steel
611 / US9	Polished Bronze				

Riser Diagram



Listings and Approvals (AO19)



Certified to ANSI/UL 325-2006
Tested - ANSI 156.10
and 156.19



Meets ADA
requirements



Certified to
CAN/CSA 247-92



3-Hour Fire
Listed

Detex Limited Warranty

Advantex - 10 Year Mechanical /
3 Year Electrical Manufacturers
Limited Warranty

AO19 - 3 Year Mechanical / 1 Year
Electrical Limited Manufacturers
Warranty

Where Trust is Built™
DETEX®
Life Safety, Security and Security Assurance

Detex Corporation
302 Detex Drive
New Braunfels, Texas 78130-3045 USA
PH. (830) 629-2900
(800) 729-3839
FAX (800) 653-3839
<http://www.detex.com>
USA Sales:
marketing@detex.com
International Sales:
export@detex.com

Cancer & Reproductive Harm - www.detex.com/prop65

EasyKit®

AODx20/21ER AODx50/51ER AODx60/61/62/63ER AODx70/71ER AODx80/81/82/83ER

Automatically Operated Doors

The AOD EasyKits provide a pre-wired Automatic Operated Door system. Ideal ADA access at healthcare facilities, assisted living homes, main public entrances, places of worship, convention centers, sports arenas and any location requiring low energy, automatic operated doors with an exit device. The AOD EasyKit includes the Advantex Latch Retraction exit device, and the AO19 low-energy door operator, with a built-in, pre-wired power supply.



Contact factory to design the EasyKit for your special application

Available with 10/40 Rim, 30 Mortise, 20/21/50/51 Surface Vertical Rod Devices and 60/61/62/63/70/71/80/81/82/83 Concealed Vertical Rod Devices

Also Available: AOD EasyKit With EExER Delayed Egress with Latch Retraction

Benefits

- Automatic Operator is pre-wired with the latch retraction power supply, making installation fast and easy
- Best-in-class components provide years of trouble-free operation
- The reliable AO19 offers all the features you expect in an automatic door operator at no extra cost
- Turnkey, complete with everything needed, without a complicated installation job
- All hardware items, plus riser and wiring diagrams provided with one easy-to-order, easy-to-specify part number

Features

- AO19 includes adjustable time delay, push-and-go reverse on obstruction and sequencing for vestibule doors
- Heavy-duty angled end cap deflects damage away from device
- Available in various configurations, for single and paired openings
- Easily add various access control options with or without an anti-tailgating option

Mechanical Options

- AO19 available Left Hand (LH), Right Hand (RH), Push or Pull, Aluminum (AL) or Dark Bronze (BZ)
- EasyKits available with various rim, mortise, surface vertical and concealed vertical rod devices to fit various single, pairs and double egress applications
- 36 - Fits 36" Door Width (Std.)
- 48 - Fits 48" Door Width
- F - 3-Hour Fire Rated

Electrical Options

- 12 Volt in / 24 Volt out (Std.)
- Also available: EExER delayed egress with latch retraction

Accessories

- SN1 – Sex Nut Fasteners
- GB# - Glass Bead Kits

Technical Information

- Door Types - Wood, Hollow Metal, Fiberglass or Aluminum
- Minimum Stile - Advantex 20, 21 Series: 4-5/8" with surface strike or 4-1/8" with optional semi-mortise strike
- Minimum Stile - Advantex 50, 51 Series: 2" with standard semi-mortise strike or 2-1/2" with optional surface strike
- Minimum Stile - Advantex 60, 61, 62, 63 Series: 2"
- Minimum Stile - Advantex 70, 71, 80, 81, 82, 83 Series: 4 1/2"

Finishes (Advantex Products Only)

605 / US3	Polished Brass	613 / US10B	Oil Rubbed Bronze
606 / US4	Brushed Brass	629 / US32	Polished Stainless Steel
611 / US9	Polished Bronze	630 / US32D	Brushed Stainless Steel
612 / US10	Brushed Bronze		

Listings and Approvals (AO19)



Certified to ANSI/UL 325-2006
Tested - ANSI 156.10 and 156.19



Meets ADA requirements

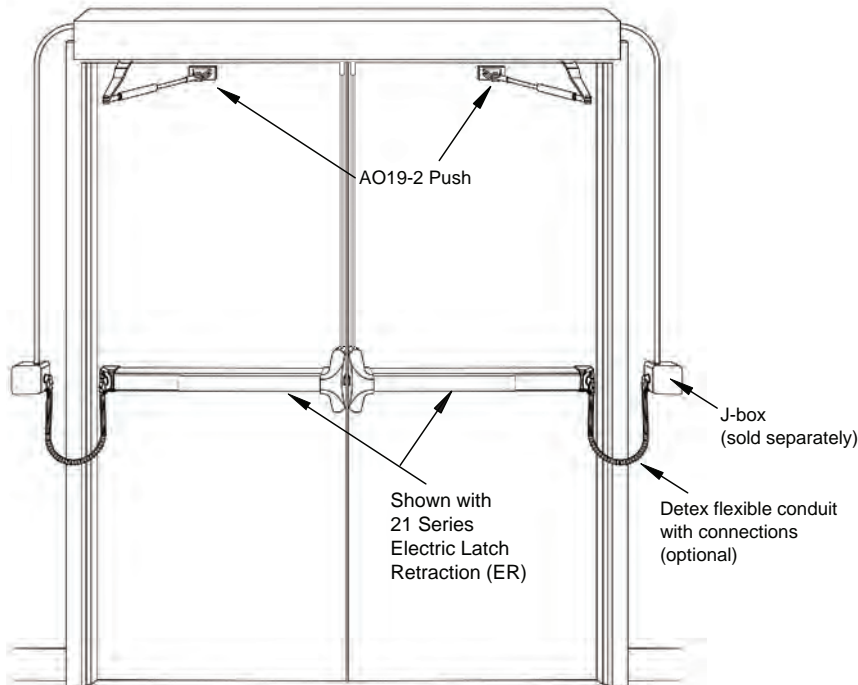


Certified to CAN/CSA 247-92



3-Hour Fire Listed

Riser Diagram



Detex Limited Warranty

Advantex - 10 Year Mechanical / 3 Year Electrical Manufacturers Limited Warranty

AO19 - 3 Year Mechanical / 1 Year Electrical Limited Manufacturers Warranty

Where Trust is Built™
DETEx®
Life Safety, Security and Security Assurance

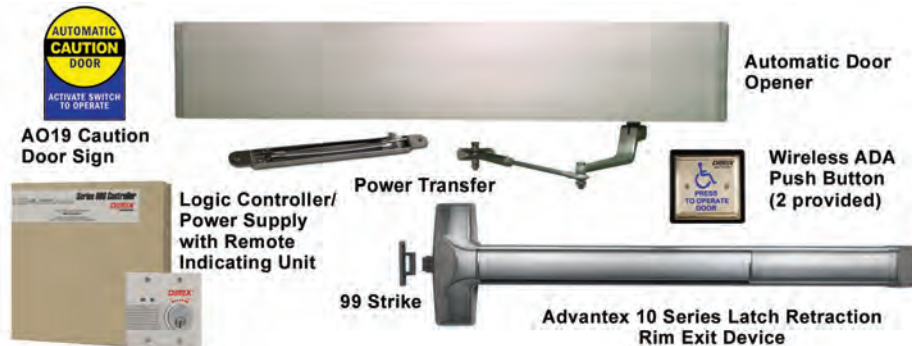
Detex Corporation
302 Detex Drive
New Braunfels, Texas 78130-3045 USA
PH. (830) 629-2900
(800) 729-3839
FAX (800) 653-3839
<http://www.detex.com>
USA Sales:
marketing@detex.com
International Sales:
export@detex.com

Cancer & Reproductive Harm - www.detex.com/prop65



AODx10xEExERx1S AODx30xEExERx1S AODx40xEExERx1S Automatically Operated Doors

Ideal where controlling exit and access control are required along with an automatic operator. Applications include healthcare facilities, assisted living homes, transportation hubs, convention centers, sports arenas and any location requiring low energy, automatically operated doors with access control, and delayed egress exit devices. The AOD EasyKit includes the Advantex Delayed Egress with Latch Retraction exit device, the AO19 low-energy door operator, and a logic controller / power supply.



Contact Detex technical support to design the EasyKit for your special application
800-729-3839, press 2

Available with 10/40 Rim, 30 Mortise, 20/21/50/51 Surface Vertical Rod Devices and 60/61/62/63/70/71/80/81/82/83 Concealed Vertical Rod Devices

Also Available: AOD EasyKit With ER Latch Retraction

Benefits

- Best-in-class components provide years of trouble-free operation
- Turnkey, complete with everything needed, without a complicated installation job
- The reliable AO19 offers all the features you expect in an automatic door operator at no extra cost
- Super heavy duty, easy to install, full line exit device provides years of service
- All hardware items, plus riser and wiring diagrams provided with one easy-to-order, easy-to-specify part number

Features

- AO19 includes adjustable time delay, push-and-go reverse on obstruction and sequencing for vestibule doors
- Heavy-duty angled end cap deflects damage away from device
- Available in various configurations, for single and paired openings
- Easily add various access control options with or without an anti-tailgating option

Mechanical Options

- Configure AO19 available Left Hand (LH), Right Hand (RH), Push or Pull, Aluminum (AL) or Dark Bronze (BZ), size
- Configure Advantex available with various rim, mortise, surface vertical and concealed vertical rod devices to fit various single, pairs and double egress applications (Finish, trim, size, etc.)
- F - 3-Hour Fire Rated

Electrical Options

- Also available: ER latch retraction
- 120 Volts for AO19 automatic operator
- EE (delayed egress): 24VDC draws less than .25A
- ER (latch retraction): 24VDC draws 1.8A for 1/3 second to pull latch back then draws less than .25A to keep latch retracted

Other Options

- SN1 – Sex Nut Fasteners
- Power transfers
- GB# - Glass Bead Kits
- Activation
- Cylinders

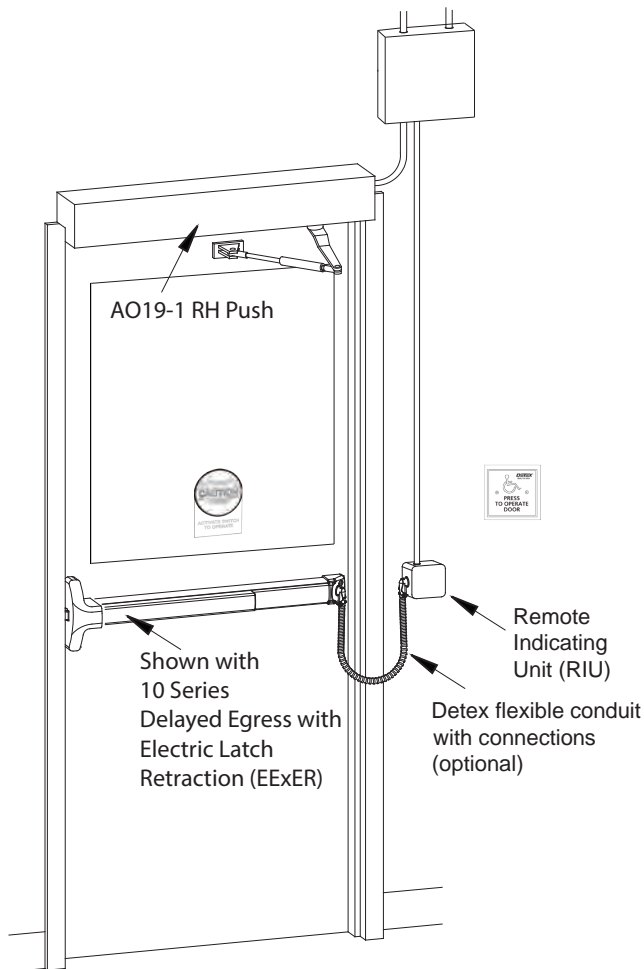
Technical Information

- Door Types - Wood, Hollow Metal, Fiberglass or Aluminum
- Minimum Stile - Advantex 10, 20 Series: 4-5/8" with surface strike or 4-1/8" with optional semi-mortise strike
- Minimum Stile - Advantex 40, 50 Series: 2" with standard semi-mortise strike or 2-1/2" with optional surface strike
- Minimum Stile - Advantex 60, 61, 62, 63 Series: 2"
- Minimum Stile - Advantex 70, 71 Series: 4 1/2"
- Minimum Stile - Advantex 80, 81, 82, 83 Series: 4 1/2"





Finishes (Advantex Products Only)

605 / US3	Polished Brass	613 / US10B	Oil Rubbed Bronze
606 / US4	Brushed Brass	629 / US32	Polished Stainless Steel
611 / US9	Polished Bronze	630 / US32D	Brushed Stainless Steel
612 / US10	Brushed Bronze		

Riser Diagram



Listings and Approvals (AO19)

-  Certified to ANSI/UL 325-2006 Tested - ANSI 156.10 and 156.19
-  Meets ADA requirements
-  Certified to CAN/CSA 247-92
-  3-Hour Fire Listed


Detex Limited Warranty

Advantex - 10 Year Mechanical / 3 Year Electrical Manufacturers Limited Warranty

AO19 - 3 Year Mechanical / 1 Year Electrical Limited Manufacturers Warranty



Detex Corporation
 302 Detex Drive
 New Braunfels, Texas 78130-3045 USA
 PH. (830) 629-2900
 (800) 729-3839
 FAX (800) 653-3839
<http://www.detex.com>
 USA Sales:
marketing@detex.com
 International Sales:
export@detex.com

 Cancer & Reproductive Harm - www.detex.com/prop65

EasyKit®

**AODx20/21EEERx1P AODx50/51EEERx1P AODx60/61/62/63EEERx1P
AODx70/71EEERx1P AODx80/81/82/83EEERx1P**

Automatically Operated Doors

The AOD EasyKits provide a pre-wired Automatic Operated Door system. Ideal where controlling exit and access control are required along with an automatic operator. Applications include healthcare facilities, assisted living homes, transportation hubs, convention centers, sports arenas and any location requiring low energy, automatically operated doors with access control, and delayed egress exit devices. The AOD EasyKit includes the Advantex Delayed Egress with Latch Retraction exit device, the AO19 low-energy door operator, and a logic controller / power supply.



Contact Detex technical support to design the EasyKit for your special application
800-729-3839, press 2

Available with 10/40 Rim, 30 Mortise, 20/21/50/51 Surface Vertical Rod Devices and 60/61/62/63/70/71/80/81/82/83 Concealed Vertical Rod Devices

Also Available: AOD EasyKit With ER Latch Retraction

Benefits

- All hardware items, plus riser and wiring diagrams provided with one easy-to-order, easy-to-specify part number
- The reliable AO19 offers all the features you expect in an automatic door operator at no extra cost
- Super heavy duty, easy to install, full line exit device provides years of service
- Best-in-class components provide years of trouble-free operation

Features

- AO19 includes adjustable time delay, push-and-go reverse on obstruction and sequencing for vestibule doors
- Heavy-duty angled end cap deflects damage away from device
- Available in various configurations, for single and paired openings
- Easily add various access control options with or without an anti-tailgating option

Mechanical Options

- Configure AO19 available Left Hand (LH), Right Hand (RH), Push or Pull, Aluminum (AL) or Dark Bronze (BZ), size
- Configure Advantex available with various rim, mortise, surface vertical and concealed vertical rod devices to fit various single, pairs and double egress applications (Finish, trim, size, etc.)
- F - 3-Hour Fire Rated

Electrical

- Also available: ER latch retraction
- 120 Volts for AO19 automatic operator
- EE (delayed egress): 24VDC draws less than .25A
- ER (latch retraction): 24VDC draws 1.8A for 1/3 second to pull latch back then draws less than .25A to keep latch retracted

Other Options

- SN1 – Sex Nut Fasteners
- GB# - Glass Bead Kits
- Cylinders
- Power Transfers
- Activation

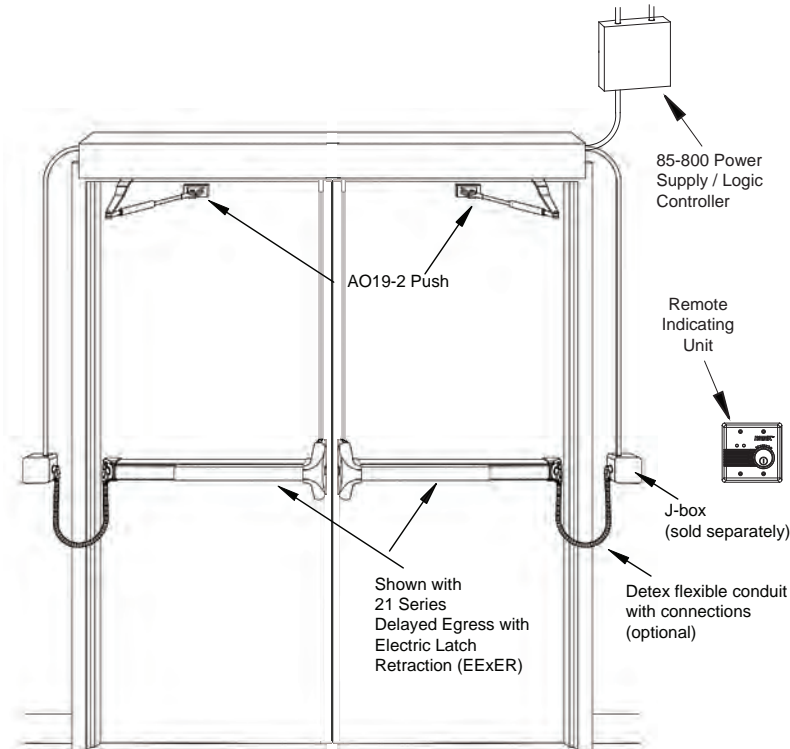
Technical Information

- Door Types - Wood, Hollow Metal, Fiberglass or Aluminum
- Minimum Stile - Advantex 50, 51 Series: 2" with standard semi-mortise strike or 2-1/2" with optional surface strike
- Minimum Stile - Advantex 70, 71, 80, 81, 82, 83 Series: 4 1/2"
- Minimum Stile - Advantex 20, 21 Series: 4-5/8" with surface strike or 4-1/8" with optional semi-mortise strike
- Minimum Stile - Advantex 60, 61, 62, 63 Series: 2"

Finishes (Advantex Products Only)

605 / US3	Polished Brass	613 / US10B	Oil Rubbed Bronze
606 / US4	Brushed Brass	629 / US32	Polished Stainless Steel
611 / US9	Polished Bronze	630 / US32D	Brushed Stainless Steel
612 / US10	Brushed Bronze		

Riser Diagram



Listings and Approvals (AO19)



Certified to ANSI/UL 325-2006 Tested - ANSI 156.10 and 156.19



Meets ADA requirements



Certified to CAN/CSA 247-92



3-Hour Fire Listed

Detex Limited Warranty

Advantex - 10 Year Mechanical / 3 Year Electrical Manufacturers Limited Warranty

AO19 - 3 Year Mechanical / 1 Year Electrical Limited Manufacturers Warranty



Detex Corporation
 302 Detex Drive
 New Braunfels, Texas 78130-3045 USA
 PH. (830) 629-2900
 (800) 729-3839
 FAX (800) 653-3839
 http://www.detex.com
 USA Sales:
 marketing@detex.com
 International Sales:
 export@detex.com

Cancer & Reproductive Harm - www.detex.com/prop65