

# SMART Series 5MP Panoramic Turret Camera TP-MEP5M16-1Y



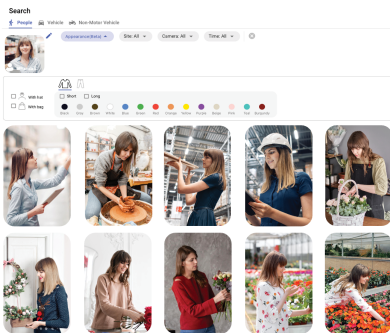
The TP-MEP5M16-1Y 5MP turret camera is a single-sensor camera capable of viewing a full 180-degree field of view. It naturally generates a high quality 16:9 image, and is perfectly suited for tight spaces or any scene that requires an extremely wide viewing angle. Comes with TV-CORE1Y for people\* and vehicle attributes and cloud events.

## KEY FEATURES

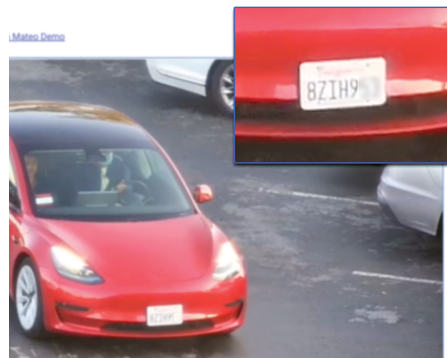
- 5MP 16:9 image sensor
- 180-degree panoramic view
- Built-in mic
- Connects to TURING VISION® cloud VMS via Turing Smart Series NVR
- Includes TV-CORE1Y license
- Up to 10-year extended warranty with CORE AI license



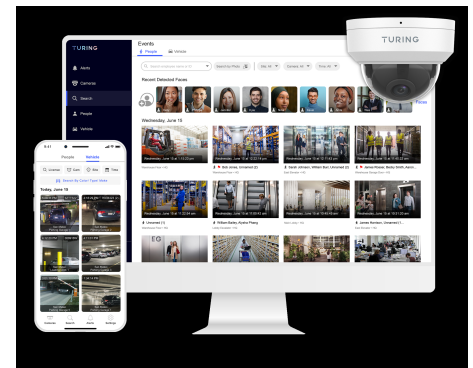
## EMPOWER VIDEO SECURITY WITH TURING VISION® AND CORE AI



People\* & vehicle attribute search



License plate detection and comparison



Customized smart alerts anywhere using Vision apps

\*Activation depends on state regulations and the compliance with Biometric Information Protection Act (BIPA). Please refer to our privacy policy.

Visit [turing.ai/get-core](https://turing.ai/get-core) to find out more about CORE AI



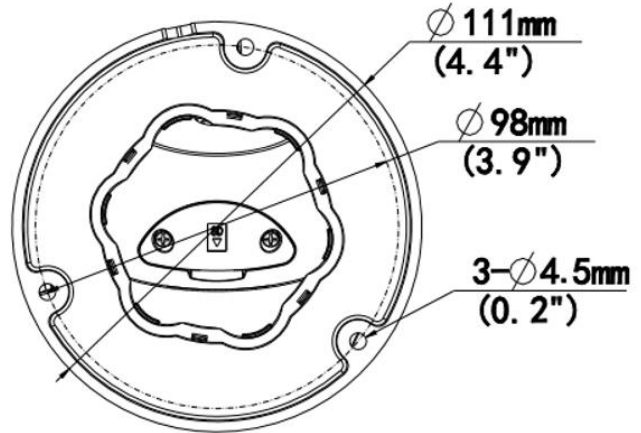
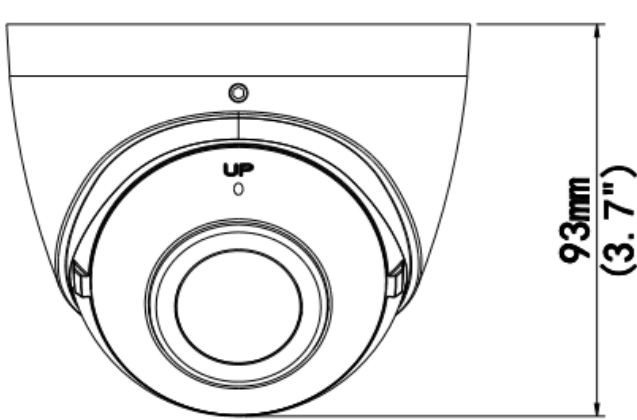


## SPECIFICATIONS

MODEL NUMBER		TP-MEP5M16-1Y
<b>TURING VISION ® SUPPORT</b>		
TURING VISION ® Cloud VMS	Included	
CORE AI License	Includes TV-CORE1Y; extensions and add-ons available	
Prerequisites	Turing SMART Series NVR & bridge	
<b>VIDEO &amp; AUDIO</b>		
Image sensor	1/2.7", 5.0 megapixel, progressive scan CMOS	
Lens	<b>Focal Length:</b> 1.68mm @ F2.0; <b>Angle of view:</b> 180°	
Minimum Illumination	Color: 0.01Lux (F2.0, AGC ON); 0 Lux with IR in B&W night mode	
IR LED	<b>Smart IR Range:</b> Up to 20m (66 ft); <b>Wave Length:</b> 850nm	
Shutter	Auto/Manual, shutter time: 1~1/100000 s	
Image Processing	<b>WDR:</b> 120 dB; <b>S/N:</b> >56dB; <b>Noise reduction:</b> 2D/3D; <b>Defog:</b> Digital Defog	
Video Encoding	Ultra 265, H.265, H.264 (Baseline profile, Main Profile, High Profile), MJPEG; <b>ROI:</b> Up to 8 areas	
Available Resolution and Frame Rate	<b>Main Stream</b> 5MP (2880*1620), Max 30fps; 4MP (2560*1440), Max 30fps; 1080P (1920*1080), Max 30fps; <b>Sub Stream</b> 1080P (1920*1080), Max 30fps; 720P (1280*720), Max 30fps; D1 (720*576), Max 30fps; 640*360, Max 30fps; 2CIF(704*288), Max 30fps; CIF(352*288), Max 30fps; <b>Third Stream</b> D1 (720*576), Max 30fps; 640*360, Max 30fps; 2CIF(704*288), Max 30fps; CIF(352*288), Max 30fps	
On-screen Overlay	<b>OSD:</b> Up to 8 OSD; <b>Privacy Mask:</b> Up to 4 areas	
White Balance	Auto/Outdoor/Fine Tune/Sodium Lamp/Locked/Auto2	
Image Rotation	Normal/Flip Vertical/ Flip Horizontal/180°	
Audio I/O	Built-in Mic	
Audio Compression	G.711, 64 Kbps, 8KHz, audio suppression	
Onboard Storage	microSD slot (SD card not included); up to 256GB	
<b>NETWORK ACCESSIBILITY &amp; SECURITY</b>		
Protocols	IPv4, IGMP, ICMP, ARP, TCP, UDP, DHCP, PPPoE, RTP, RTSP, RTCP, DNS, DDNS, NTP, FTP, UPnP, HTTP, HTTPS, SMTP, 802.1x, SNMP, QoS, RTMP, SSH	
Compatible Integration	ONVIF (Profile S, Profile G, Profile T), API, SDK	
User/Host	Up to 32 users. 3 user levels: administrator and common user	
Security	Password protection, Strong password, HTTPS encryption, Export operation logs, Basic and digest authentication for RTSP, Digest authentication for HTTP, TLS 1.2, WSSE and digest authentication for ONVIF	
Network	1 RJ45 10M/100M Base-TX Auto-adaptive Ethernet	
<b>GENERAL</b>		
EMC	CE-EMC (EN 55032, EN 61000-3-3, EN IEC 61000-3-2, EN 55035) FCC (FCC 47 CFR part15 B)	
Safety Certification	CE LVD (EN 62368-1); CB (IEC 62368-1); UL/CUL (UL 62368-1, CAN/CSA C22.2 No. 62368-1)	
Power	DC12V±25%, PoE (IEEE 802.3af); Max. 5.5W; Surge Protection: 4KV	
Dimensions & Weight	Φ111 x 93mm (Φ4.4"x 3.7")	
Working Environment	-30°C ~ 60°C (-22°F ~ 140°F), Humidity: ≤95% RH (non-condensing)	
Storage Environment	-30°C ~ 60°C (-22°F ~ 140°F), Humidity: ≤95% RH (non-condensing)	
Reset Button	Pesent	
Environmental Protection	Ingression protection: IP67; Vandal resistance: IK10	



**DIMENSIONS**



**MOUNTING ACCESSORIES**

MODEL NUMBER	DESCRIPTION / APPLICATION	COMPATIBLE ACCESSORIES
TP-EFDJB	Junction Box	TP-AIPMB - 200mm indoor pendant base TP-IPME2 - 200mm indoor pendant extension (requires base) TP-IPME5 - 500mm indoor pendant extension (requires base)
TP-EFDWM	Wall Mount	TP-WMCM - corner mount
TP-EFDWJ	Wall Mount with Junction Box	TP-UDPM - pole mount
TP-EFDTM	Tilt Plate	
TP-EFDEP	Gang Box Adapter Plate	Standard single & double gang boxes