

# Illustra

## Quick Start Guide

(A163822N02\_A)

### Pro Gen4 Compact Dome Recessed Mount Accessory (IBCR-P-4CWT-A)

The Recessed Mount is compatible with the following PG4 Compact Dome cameras (IPS02-C10-OIA4, IPS04-C10-OIA4 and IPS08-C10-OIA4).

#### In the box

- 1 x Recessed mount accessory
- 1 x Ceiling plate
- 1 x Mounting Template
- 1 x Quick Start Guide

**Note:** The adapter plate and screws for installation ship with the cameras.

#### Installation tools

- Ceiling hole cutter
- Crosshead screwdriver
- Wire cutters



## Installing the accessory and camera into a ceiling (continued)

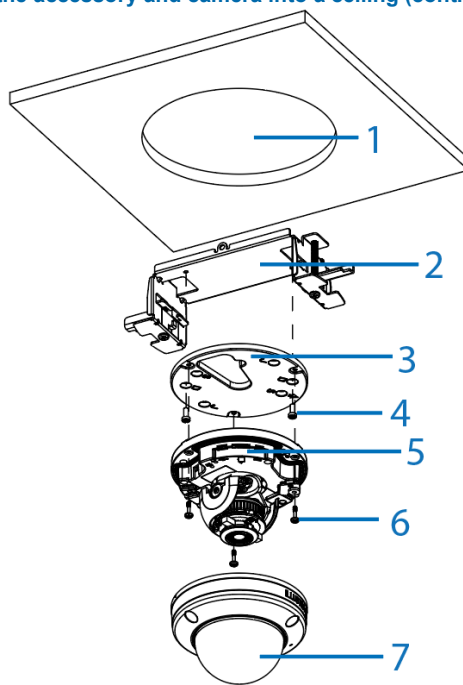


Figure 2

## Installing the accessory and camera into a ceiling (continued)

**Note:** A safety wire is securely attached on one end within the camera dome cover. The other end of the safety wire must be securely attached to the camera base.

11. Pull the unsecured end of the safety wire out from the camera dome cover and then hold the camera dome cover up to the camera base.
12. Insert the 'hole' (1) (Figure 4) on the end of the safety wire under the securing tab (2) (Figure 4) and then onto the 'hook' (3) (Figure 4) so that the safety wire (and camera dome cover) is securely attached to the camera base.

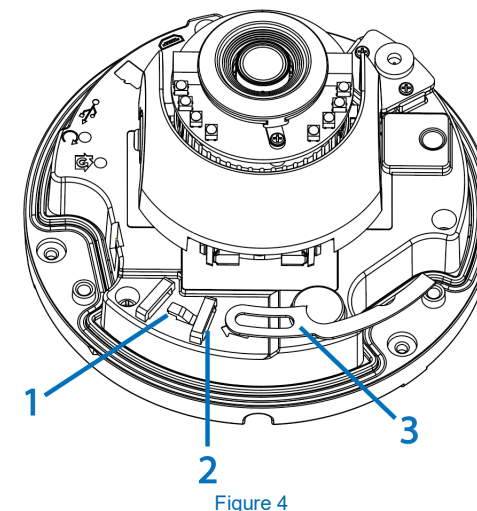


Figure 4

Figure 1: Physical Dimensions, mm (in.)

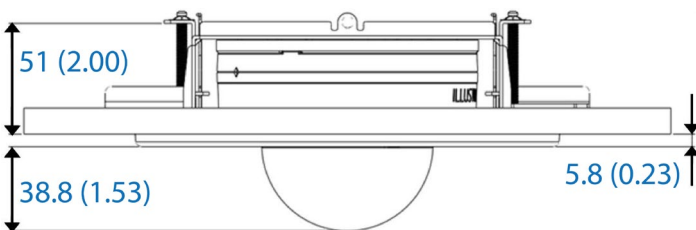


Figure 1

## Installing the accessory and camera into a ceiling

1. Place the mounting template sticker onto the correct position on the ceiling tile and cut out a 6.8-inch (173mm) hole (1) (Figure 2).
2. Insert the adaptor plate (3) (Figure 2) that comes in the box with the camera onto the recessed mount (2) (Figure 2) and align the two 'D' holes on the adaptor plate with the two holes on the recessed mount.
3. Use a screwdriver to insert the two screws (4) (Figure 2) that come in the box with the camera into the two holes on the adaptor plate and securely attach the adaptor plate to the recessed mount.
4. Pull all power cables through the hole on the ceiling.
5. Insert the recessed mount through the hole on the ceiling tile and use a screwdriver (1) (Figure 3) to turn the two bracket screws (2) (Figure 3) clockwise until the two locking arms (3) (Figure 3) extend out fully and sit securely onto the ceiling tile (4) (Figure 3).

## Installing the accessory and camera into a ceiling (continued)

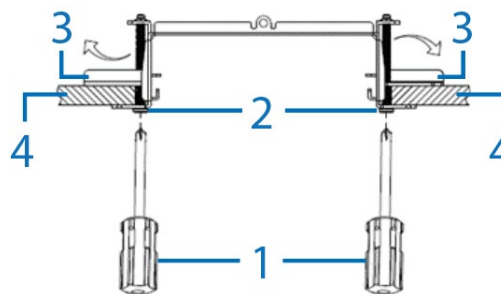


Figure 3

6. Use a screwdriver to remove the three screws on the dome cover (7) (Figure 2) and then fully remove the dome cover from the camera base (5) (Figure 2).
7. Hold the camera base up to the ceiling and insert the Ethernet cable into the Ethernet cable connection on the camera.
8. Push the camera base up onto the adaptor plate and align the three screws on the camera base (6) (Figure 2) with the three holes on the adaptor plate.
- IMPORTANT:** Ensure that the camera's Ethernet cable is routed through the cable slot on the camera base when completing step 8.
9. Use a screwdriver and insert the three screws into the three holes and securely attach the camera base to the adaptor plate.
10. Remove the three rubber plugs that cover the three screws on the camera top cover (7) (Figure 2).

## Installing the accessory and camera into a ceiling (continued)

13. Hold the camera dome cover (7) (Figure 2) up to the camera base and align the three screws on the camera dome cover with the three holes on the camera base.
14. Use a screwdriver and securely attach the camera dome cover to the camera base.
15. Hold the ceiling plate (1) (Figure 5) up to the dome cover and insert the two spring hooks (2) (Figure 5) up into the two tenons.

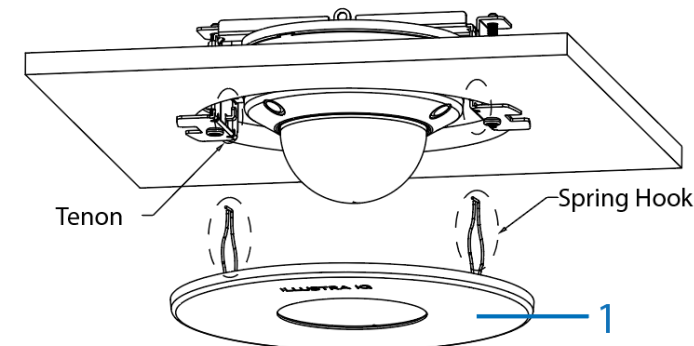


Figure 5

**Note:** See the completed installation below in Figure 6.

Installing the accessory and camera into a ceiling (continued)

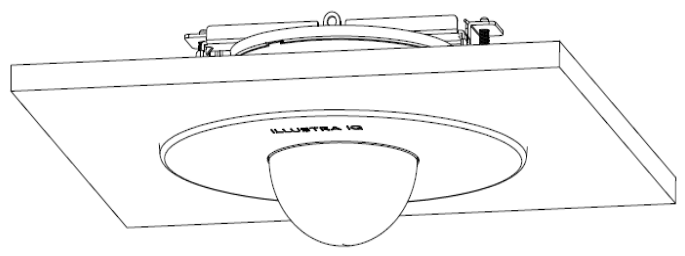


Figure 6



**Warning:** Mounting, that includes climbing ladders, installing communications, power, etc. can be hazardous. Only skilled person(s) should install this device. This camera can be mounted at a distance greater than 2 meters (6.6 feet) from the floor, there is a risk of Injury if the camera falls, ensure the camera is securely mounted.