

# Line Voltage Sensors



ODW12-MDW



ODC20-MDW

## DESCRIPTION

Leviton's ODC and ODW series sensors provide a full line of self contained PIR, Ultrasonic (U/S) and Multi-technology (M/T) occupancy sensors. The sensor's main function is to turn the lights ON or maintain the lights ON while movement is detected within the sensor's field-of-view, and turn the lights OFF when the space is vacant.

The PIR models use a Dual Element PIR heat detector that resides behind a multi-zone optical lens. This Fresnel lens establishes dozens of zones of detections. In order to trigger the sensor the heat source must move from one zone to another.

The U/S models utilize sensors which emit continuous reflective frequency waves. Any movement within the sensor's field-of-view will cause a shift in the original emitted frequency. The sensor identifies the change as movement and controls the light accordingly.

The M/T sensors combine both PIR and U/S technology for unrivaled performance and reliability. The sensors will use PIR technology to initially turn the light ON, and use the U/S technology to keep the lights ON.

The sensors conveniently mount to a standard 2.125" deep x 4" octagon, 2.125" deep x 4" square electrical box with mud ring, or to 4" surface mount wire raceway boxes. It provides wire leads for simple connection to a line-voltage circuit and is ideal for both existing buildings with limited access to wiring and new construction with line-voltage circuiting only.

Use with OPBCA Cosmetic Adaptor for surface mount wire raceway boxes or to over any wallboard cuts for professional finish to all projects.

## APPLICATIONS

The ODC and ODW series sensors are the ideal solution for providing immediate energy savings. They are designed for fast installation and require little to no field configuration. They can be used in any of the following applications:

- Remodels in hard ceiling spaces
- Energy conservation retrofits
- Any installation with limited access for low-voltage wiring

## FEATURES

Power Base Adaptor

- Streamlined installation offers customers an immediate energy-management solution
- Mounts easily in electrical box and provides leads for simple line voltage connection
- Zero-crossing circuitry for enhanced reliability and long-life operation

OSCxx and OSWxx Occupancy Sensors

- Available in multi-technology, ultrasonic and passive infrared models.
- Self-Adjusting: Internal microprocessor continually analyzes, evaluates and adjusts the infrared sensitivity and time delay. Performance is kept at a maximum and user complaints are eliminated.
- Non-Volatile Memory: Learned and adjusted settings saved in protected memory are not lost during power outages.
- Maximum Reliability, Low Cost: digital circuitry uses a minimum of components.
- Walk-Through: Provides increased energy savings by decreasing the time delay to 2.5min when someone momentarily walks through the monitored space.
- Ambient Light Recognition: A Light Sensor prevents lights from turning on when the room is adequately lit by natural light.
- Wide Coverage: Units from 450 to 2000 sq. ft. available.
- Timer Setting Feature: Automatic - 30sec - 30min. Test mode - 6sec with auto exit programming.

**SPECIFICATIONS**

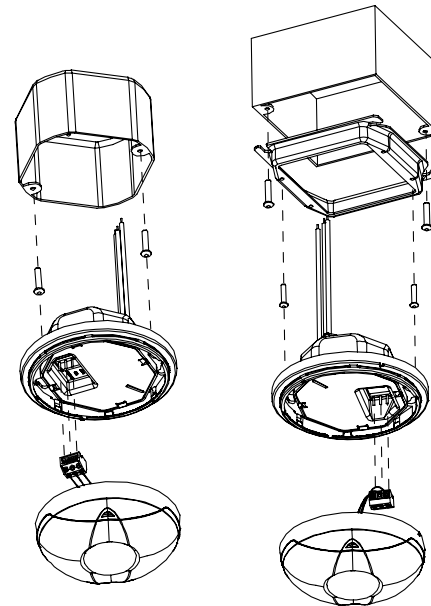
ELECTRICAL	
<b>Input Voltage</b>	120-277 VAC @ 50/60Hz
<b>Output Voltage</b>	24 VDC, 40mA nominal, full-wave rectified and filtered, unregulated.(Each Leviton sensor contains an internal voltage regulator.)
<b>Load Rating</b>	15A Incandescent, Electronic or Magnetic Fluorescent Ballast; 3/4 HP at 120V
<b>Wire Designation</b>	Line-Black, Load-Blue, White-Neutral
ENVIRONMENTAL	
<b>Operating Temperature Range</b>	0°C to 40°C (32°F to 104°F)
<b>Storage Temperature Range</b>	-10°C to 85°C (14°F to 185°F)
<b>Relative Humidity</b>	0% to 90% non-condensing
OTHER	
<b>Mounting Height</b>	OSWHB: 30 feet All others: 8-10 feet
<b>Listings</b>	UL, cUL, NOM, CEC Title 24
<b>Warranty</b>	Limited Five-Year Warranty

**ORDERING INFORMATION**

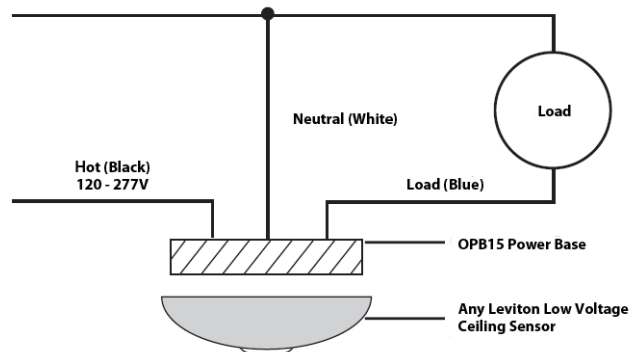
CAT. NO.	DESCRIPTION	COLOR
ODCo4-IDW	PIR Ceiling Sensor, 450 Sq Ft	Off-White
ODCo5-UDW	U/S Ceiling Sensor, 500 Sq Ft	Off-White
ODCo5-MDW	M/T Ceiling Sensor, 500 Sq Ft	Off-White
ODC10-UDW	U/S Ceiling Sensor, 1000 Sq Ft	Off-White
ODC10-MDW	M/T Ceiling Sensor, 1000 Sq Ft	Off-White
ODC15-IDW	PIR Ceiling Sensor, 1500 Sq Ft	Off-White
ODC20-UDW	U/S Ceiling Sensor, 2000 Sq Ft	Off-White
ODC20-MDW	M/T Ceiling Sensor, 2000 Sq Ft	Off-White
ODW12-MDW	M/T Wall Sensor, 1200 Sq Ft	Off-White
ODWLR-IDW	PIR Wall Sensor, Long Range	Off-White
ODWWV-IDW	PIR Wall Sensor, Wideview	Off-White
ODWHB-IDW	PIR Wall Sensor, High Bay	Off-White
OPBCA-ooW	Power Base Cosmetic Adaptor	Off-White

**INSTALLATION AND WIRING**

Connect and mount the ODC/ODW to the electrical box. Test sensor for correct operation



**WIRING DIAGRAM**



Line Voltage Sensors

**Leviton Manufacturing Co., Inc. Lighting & Energy Solutions**

20497 SW Teton Avenue, Tualatin, OR 97062  
Telephone: 1-800-736-6682 • FAX: 503-404-5594 • Tech Line (6:00AM-4:00PM P.S.T. Monday-Friday): 1-800-959-6004

**Leviton Manufacturing of Canada, Ltd.**

165 Hymus Boulevard, Pointe Claire, Quebec H9R 1E9 • Telephone: 1-800-469-7890 • FAX: 1-800-563-1853

**Leviton S. de R.L. de C.V.**

Lago Tana 43, Mexico DF, Mexico CP 11290 • Tel. (+52) 55-5082-1040 • FAX: (+52) 5386-1797 • www.leviton.com.mx

Visit our Website at: [www.leviton.com/les](http://www.leviton.com/les)

© 2011 Leviton Manufacturing Co., Inc. All rights reserved. Subject to change without notice.

G-8582/E11-cb