



AVR-NN864E2NR AI

NDA
COMPLIANT | CE | FC

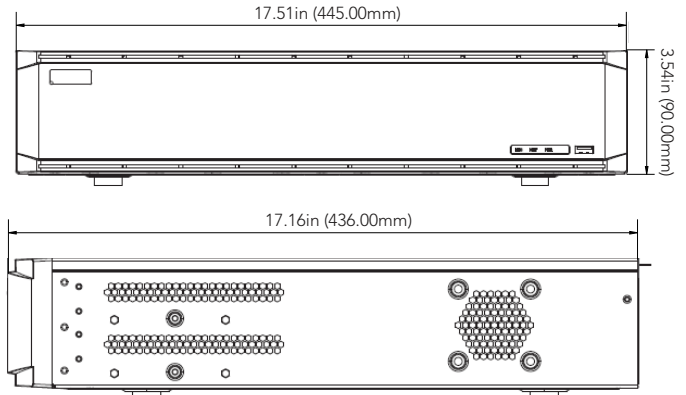
H.265 4K 64 CHANNELS HD NETWORK VIDEO RECORDER
16MP / 12MP / 8MP / 6MP / 4MP / 3MP / 1080P / 720P HD NVR

OVERVIEW

- H.265+ codec decoding
- Max. 640Mbps(64CH) input bandwidth
- Up to 8MP(4K) resolution for Live View and playback
- Support a maximum of 8 HDDs, up to 10TB each
- Full function network remote view via Internet (CMS, IE/Firefox/Chrome, Mac Safari)
- No limitation on adding devices to CMS, max. 64 channels preview (AVYCON CVMS)
- QR code for P2P connection via Mobile app (AVYCON Mobile CVMS)
- Support to save pictures/video to FTP server (built by user)
- VGA/HDMI output up to 8K resolution
- Support HDD S.M.A.R.T. Monitoring

DIMENSIONS

Unit : mm(inch)

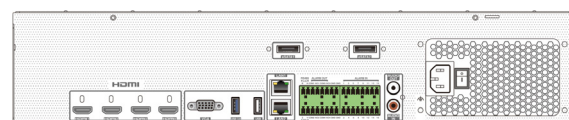


MOBILE APP

AVYCON Mobile CVMS



REAR PANEL



SPECIFICATIONS

VIDEO	
IP Video Input	64 Channels
Network Bandwidth	Downstream: 640Mbps Upstream: 640Mbps
Resolution	16MP/12MP/8MP/6MP/5MP/4MP/3MP/1080P/1280x1024/960P/720P/960H/D1/CIF
Output	HDMI1: 7680×4320@60, 7680×4320@30, 3840×2160@60, 3840×2160@30, 1920×1080, 1280×1024, 1024×768 (When the resolution of HDMI1 output is 8K, HDMI2 is unavailable) HDMI2: 3840×2160@60, 3840×2160@30, 1920×1080, 1280×1024, 1024×768 HDMI3: 3840×2160@60, 3840×2160@30, 1920×1080, 1280×1024, 1024×768 HDMI4: 1920×1080, 1280×1024, 1024×768 VGA×1: 1920×1080, 1280×1024, 1024×768 (VGA and HDMI1 output the same video source)
Multi-screen Display	Main output: 1/4/6/8/9/13/16/25/32/36/64 AUX output 1: 1/4/6/8/9/13/16/25/32/36 AUX output2: 1/4/6/8/9/13/16 AUX output 3: 1/4/6/8/9/13/16 Max. 132(64+36+16+16)
Compression	H.264/H.265/H.265+/H.265S
AUDIO	
Network input	64 Channel IPC Audio Input
Local Input	RCA×1 (for 2-way Audio)
Local Output	RCA×1
HDMI Audio Output	Yes
Compression	G.711(U/A)
RECORD	
Resolution	16MP/12MP/8MP/6MP/5MP/4MP/3MP/1080P/1280x1024/960P/720P/960H/D1/CIF
Frame Rate	NTSP: 30fps, PAL: 25fps
PLAYBACK	
Simultaneous Playback	Max 16 Channels
Search	Time slice/time/event/tag/smart search
Function	Play, Pause, Fast forward, Rewind, Digital Zoom, Previous Frame, Next Frame, etc.
DECODING CAPABILITY	
Live View	1Channel 16MP@30 / 4 CH 12MP(only available for main output)
Playback	1Channel 16MP@30 / 4CH 8MP(only available for main output)
ALARM	
Mode	Manual, Sensor, Motion, Exception, Smart Event, etc.
Input	16 Channels
Output	4 Channels
Triggering	Record, Snapshot, Preset, e-Mail, etc.
FACE	
Face Detection Performance (AI by IPC)	64 Channels
Face Detection Performance (AI by Device)	4 Channels
Face Match Performance	16 Channels
Comparison Capability	36 pictures/second
Face Picture Database	32 libraries 10000 face pictures
Face Picture Search	Search by picture is supported
Database Management	Add, Modify, Delete and Search Face Pictures
Face Picture Adding	Add face pictures through APP, WEB and external import
Face Picture Comparison	Supports successful face recognition alarm and stranger match alarm
Track	Track display on a map
Statistical Graph of Information	Bar graph
Statistical Mode of Information	Statistics by day, week, month, quarter as well as customized time period
VIDEO STRUCTURE ANALYSIS	
Human/Vehicle Classification (AI by IPC)	64 Channels
Human/Vehicle Classification (AI by Device)	8 Channels
Human/Vehicle Attribute Analysis	Yes
OTHER FUNCTIONS	
Fisheye	Supports fisheye dewarping via NVR/Web Client/mobile APP
Plate Recognition (AI by IPC)	Yes
NETWORK	
Protocol	TCP/IP, HTTP, HTTPS, 802.1x, FTP, DHCP, DDNS, RTP, RTSP, RTCP, NTP, UPnP, SMTP, IPv6, UDP, WebSocket, PPPoE, SNMP, IGMP
Interface	RJ45 10/100/1000Mbps ×2
Client Connection	Max. 128 users access

SPECIFICATIONS

MOBILE DEVICE	
OS	iOS, Andriod
STORAGE	
HDD Interface	SATA x 8pcs, up to 10TB each
RAID Type	RAID 0, 1, 5, 6, 10
E-SATA Interface	2
PORT	
USB	USB3.0× 1; USB2.0 × 2(Front:1);
RS485	Yes (full-duplex), connect to PTZ or keyboard
Remote Controller	Optional
OTHER	
Power	ATX-200W
Consumption	°50W (without HDD)
Dimensions	17.51 x 17.16 x 3.54in (445 x 436 x 90mm) (W×D×H)
Certificate	CE, FCC
Environmental Protection	Directive EU RoHS, WEEE(2012/19/EU), Directive 94/62/EC and REACH(EC1907/2006)
Working Environment	14°F~122°F (-10°C~50°C); Humidity: 10%~90%

HDD OPTIONS

- 1TB HDD: AVR-NN864E2NR-1T
- 2TB HDD: AVR-NN864E2NR-2T
- 3TB HDD: AVR-NN864E2NR-3T
- 4TB HDD: AVR-NN864E2NR-4T
- 6TB HDD: AVR-NN864E2NR-6T
- 8TB HDD: AVR-NN864E2NR-8T
- 12TB HDD: AVR-NN864E2NR-12T
- 16TB HDD: AVR-NN864E2NR-16T
- 18TB HDD: AVR-NN864E2NR-18T
- 20TB HDD: AVR-NN864E2NR-20T
- 24TB HDD: AVR-NN864E2NR-24T
- 28TB HDD: AVR-NN864E2NR-28T
- 32TB HDD: AVR-NN864E2NR-32T
- 36TB HDD: AVR-NN864E2NR-36T
- 42TB HDD: AVR-NN864E2NR-42T
- 48TB HDD: AVR-NN864E2NR-48T
- 56TB HDD: AVR-NN864E2NR-56T
- 64TB HDD: AVR-NN864E2NR-64T