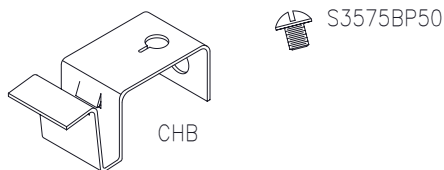
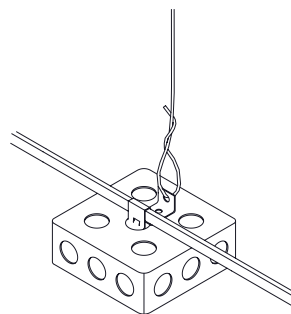
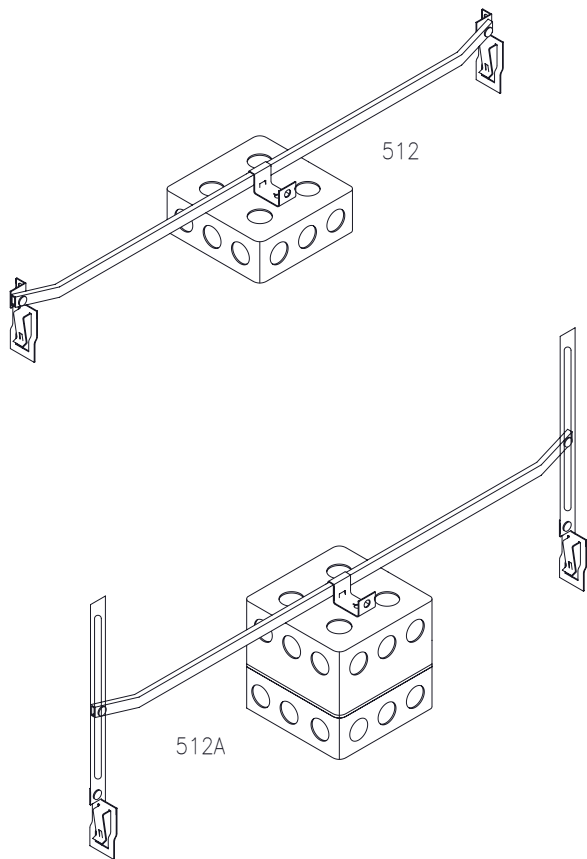


# 512 Series Acoustical "Tee Bar" Electrical Box Hanger

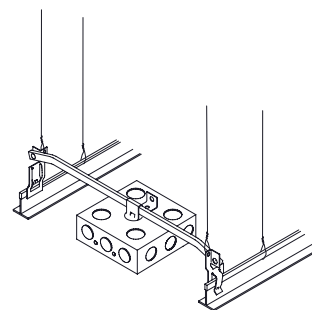


Sizing Chart	
Part No.	Description
CHB	Box Mounting Clip
CHBTC	Box Mounting Clip for Canadian Boxes
S3575BP50	1/4-20 X 3/8" Round Head Screw
512	Electrical Box Hanger – 24" Span
51212	Electrical Box Hanger – 12" Span
51220	Electrical Box Hanger – 20" Span
51230	Electrical Box Hanger – 30" Span
512A	Height Adjustable, from 8" to 24" Span

Note: Not to exceed 20 pounds without independent support wire attached to nVent CADDY box clip. This applies to All 512 Models.



## Optional Additional Support



**WARNING:**

1. nVent products shall be installed and used only as indicated in nVent product instruction sheets and training materials. Instruction sheets are available at [www.nVent.com](http://www.nVent.com) and from your nVent customer service representative.
2. nVent products must never be used for a purpose other than the purpose for which they were designed or in a manner that exceeds specified load ratings.
3. All instructions must be completely followed to ensure proper and safe installation and performance.
4. Improper installation, misuse, misapplication or other failure to completely follow nVent's instructions and warnings may cause product malfunction, property damage, serious bodily injury and/or death, and void your warranty.
5. Products that are manufactured using spring steel components shall be used only in a non-corrosive indoor environment.
6. All pipe supports, hangers, intermediate components and structural attachments must **ONLY** be used as described herein and are **NEVER** to be used for any other purpose.

NOTE: All load ratings are for static conditions and do not account for dynamic loading such as wind, water or seismic loads, unless otherwise noted.

The customer is responsible for:

- a. Conformance to all governing codes.
- b. The integrity of structures to which the products are attached, including their capability of safely accepting the loads imposed, as evaluated by a qualified engineer.
- c. Using appropriate industry standard hardware as noted above.

**SAFETY INSTRUCTIONS:**

All governing codes and regulations and those required by the job site must be observed. Always use appropriate safety equipment such as eye protection, hard hat, and gloves as appropriate to the application.

nVent, nVent CADDY, nVent ERICO Cadweld, nVent ERICO Critec, nVent ERICO, nVent ERIFLEX, and nVent LENTON are owned by nVent or its global affiliates. All other trademarks are the property of their respective owners. nVent reserves the right to change specifications without prior notice.

TECHNICAL SUPPORT:  
[www.nVent.com](http://www.nVent.com)

CFS155\_J

1 OF 3

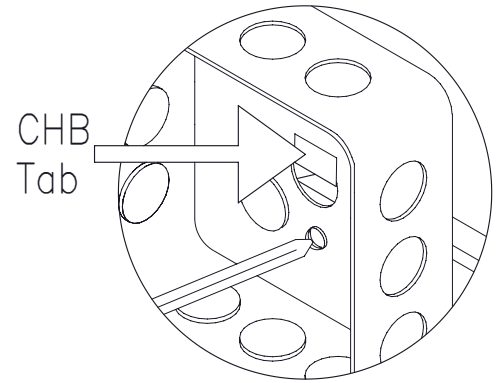
© 1998-2018 nVent All Rights Reserved



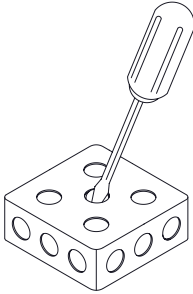
# Installation 512A

1. Remove center knock out.
2. Attach nVent CADDY CHB box clip to crossbar at desired location.
3. Attach box to clip with tab inside box.
4. Tighten screw.
5. Place long leg of end clip against "T" bar as shown.
6. Push short leg back over opposite side of "T".
7. Press firmly down on end clip. Make sure clip is seated on "T" bar.
8. Adjust crossbar to desired height, (up to 8 inches) and secure in place with locking screws.

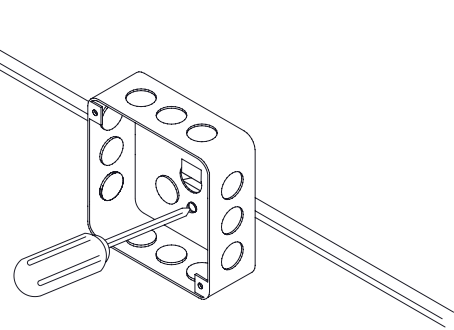
3.



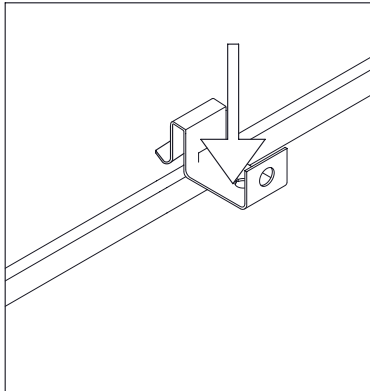
1.



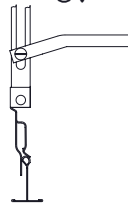
4.



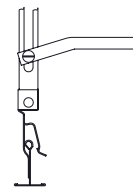
2.



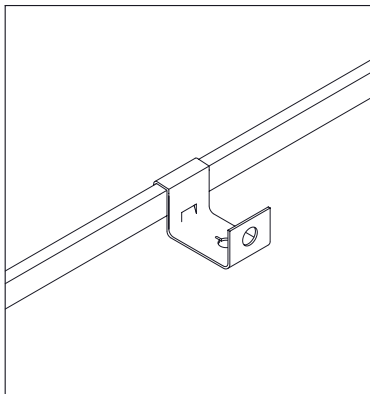
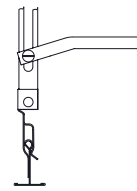
5.



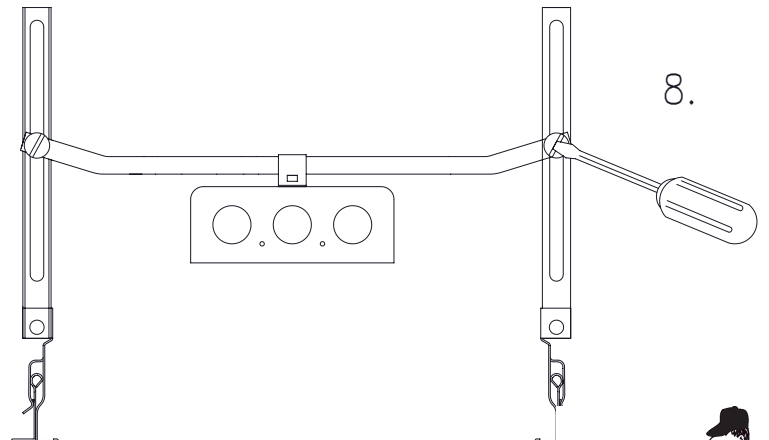
6.



7.



8.



# Installation 512

1. Rotate end clips per applicable fixture installation.
2. Assemble device to cross bar with nVent CADDY box clip.
3. Place long leg of end clip against "T" bar as shown.
4. Push short leg back over opposite side of "T".
5. Press firmly down on end clip. Make sure clip is seated on "T" bar.

