

# Pendant Cap

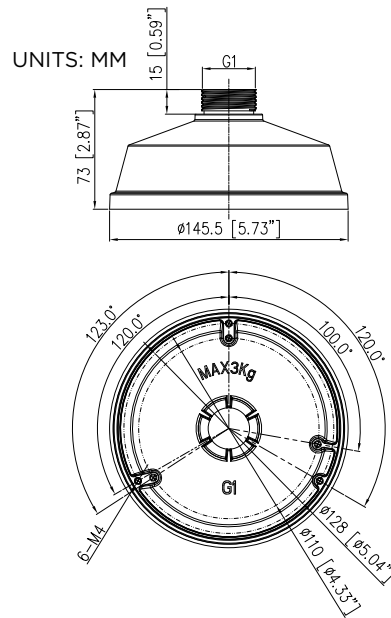


Use the R2-PNDTCP206 pendant cap to conceal and protect cable when mounting video surveillance cameras to ceilings or pendant or wall mounts.

## FEATURES

- VERSATILE CEILING, PENDANT AND WALL MOUNT COMPATIBILITY
- DURABLE ALUMINUM ALLOY
- PART #: R2-PNDTCP206
- UPC: 840049305991

COMPATIBILITY	
CAPTURE ADVANCE CAMERAS	R2-5MPTRMTRZ
CAPTURE ADVANCE MOUNTS	R2-PNDMT402 R2-WMT501 R2-WMT502
SPECIFICATIONS	
MATERIAL	ALUMINUM ALLOY
DIMENSIONS	Ø5.71 × 2.87" (Ø145 × 73MM)
WEIGHT	0.46 LB (0.21KG)
LOAD BEARING CAPACITY	6.61 LB (3KG)
OPERATING HUMIDITY	0% - 90% RH



### INSTALLATION NOTES

INSTALL ON FLAT SURFACE CAPABLE OF SUPPORTING OVER THREE TIMES THE WEIGHT OF THE CAMERA AND PENDANT CAP.

MAXIMUM LOAD CAPACITY OF PENDANT CAP IS 6.61 LB (3KG).

FOR MORE INFORMATION, CONTACT YOUR ADI SALES PERSON.