

Junction Box

Waterproof



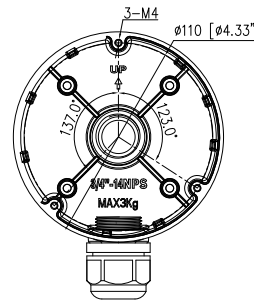
Use the waterproof R2-JNCBX657 junction box to securely mount video surveillance cameras, protecting cable from moisture and potential vandalism.

FEATURES

- IP66 RATED
- DURABLE ALUMINUM ALLOY
- CLASSIC WHITE FINISH
- PART #: R2-JNCBX657
- UPC: 840049305571

COMPATIBILITY	
CAPTURE ADVANCE CAMERAS	IP: R2-5MPDMTRZ HD: R2-HD5MPMODM
SPECIFICATIONS	
MATERIAL	ALUMINUM ALLOY, PLASTIC
DIMENSIONS	Ø4.84 × 1.65" (Ø122.9 × 42MM)
WEIGHT	0.53 LB (0.24KG)
LOAD BEARING CAPACITY	6.61 LB (3KG)
INGRESS PROTECTION	IP66
OPERATING HUMIDITY	0% - 90% RH

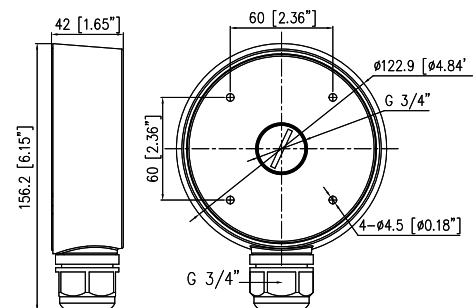
UNITS: MM



INSTALLATION NOTES

INSTALL ON FLAT SURFACE CAPABLE OF SUPPORTING OVER THREE TIMES THE WEIGHT OF THE CAMERA AND JUNCTION BOX.

MAXIMUM LOAD BEARING CAPACITY OF JUNCTION BOX IS 6.61 LB (3KG).



FOR MORE INFORMATION, CONTACT YOUR ADI SALES PERSON.