

# Junction Box

Waterproof

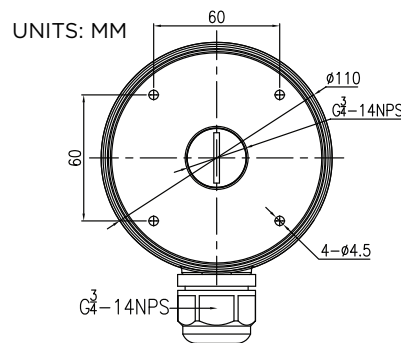


Use the waterproof R2-JNCBX656A junction box to securely mount video surveillance cameras, protecting cable from moisture and potential vandalism.

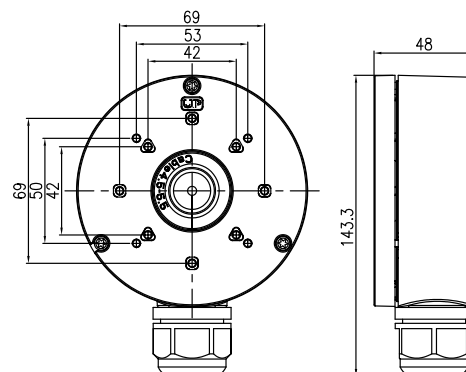
## FEATURES

- IP66 RATED
- DURABLE ALUMINUM ALLOY
- CLASSIC WHITE FINISH
- PART #: R2-JNCBX656A
- UPC: 840049305564

COMPATIBILITY	
<b>CAPTURE ADVANCE CAMERAS</b>	<b>IP:</b> R2-8MPFXBUL, R2-5MPFXBUL, R2-5MPBLMTRZ <b>HD:</b> R2-HD5MPBLT, R2-HD5MPMOBT R2-HD5MPEYE, R2-HD2MPEYE
SPECIFICATIONS	
<b>MATERIAL</b>	ALUMINUM ALLOY, PLASTIC
<b>DIMENSIONS</b>	Ø4.33 × 1.89" (Ø110 × 48MM)
<b>WEIGHT</b>	0.66 LB (0.3KG)
<b>LOAD BEARING CAPACITY</b>	6.61 LB (3KG)
<b>INGRESS PROTECTION</b>	IP66
<b>OPERATING HUMIDITY</b>	0% - 90% RH



**INSTALLATION NOTES**  
INSTALL ON FLAT SURFACE CAPABLE OF SUPPORTING OVER THREE TIMES THE WEIGHT OF CAMERA AND JUNCTION BOX.  
  
MAXIMUM LOAD BEARING CAPACITY OF JUNCTION BOX IS 6.61 LB (3KG).



FOR MORE INFORMATION, CONTACT YOUR ADI SALES PERSON.