

Junction Box

Waterproof

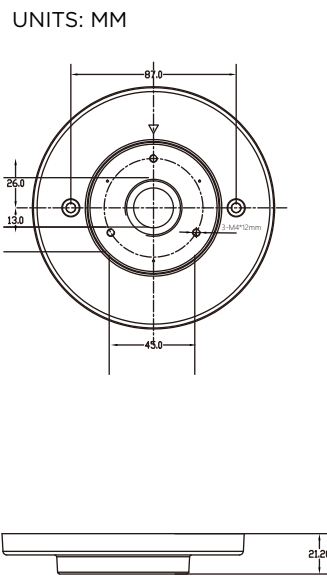


Use the waterproof R2-JNCBX319 junction box to securely mount video surveillance cameras, protecting cable from moisture and potential vandalism.

FEATURES

- IP66 RATED
- DURABLE ALUMINUM ALLOY
- CLASSIC WHITE FINISH
- PART #: R2-JNCBX319
- UPC: 840049305588

COMPATIBILITY	
CAPTURE ADVANCE CAMERAS	HD: R2-HD2MPBUL, R2-HD2MPMOBT
SPECIFICATIONS	
MATERIAL	ALUMINUM ALLOY, PLASTIC
DIMENSIONS	Ø5.24 × 2.57" (Ø133 × 65.4MM)
WEIGHT	1.54 LB (0.7KG)
LOAD BEARING CAPACITY	4.4 LB (2KG)
INGRESS PROTECTION	IP66
OPERATING HUMIDITY	0% - 90% RH



INSTALLATION NOTES

INSTALL ON FLAT SURFACE CAPABLE OF SUPPORTING OVER THREE TIMES THE WEIGHT OF THE CAMERA AND JUNCTION BOX.

MAXIMUM LOAD BEARING CAPACITY OF JUNCTION BOX IS 4.4 LB (2KG).

