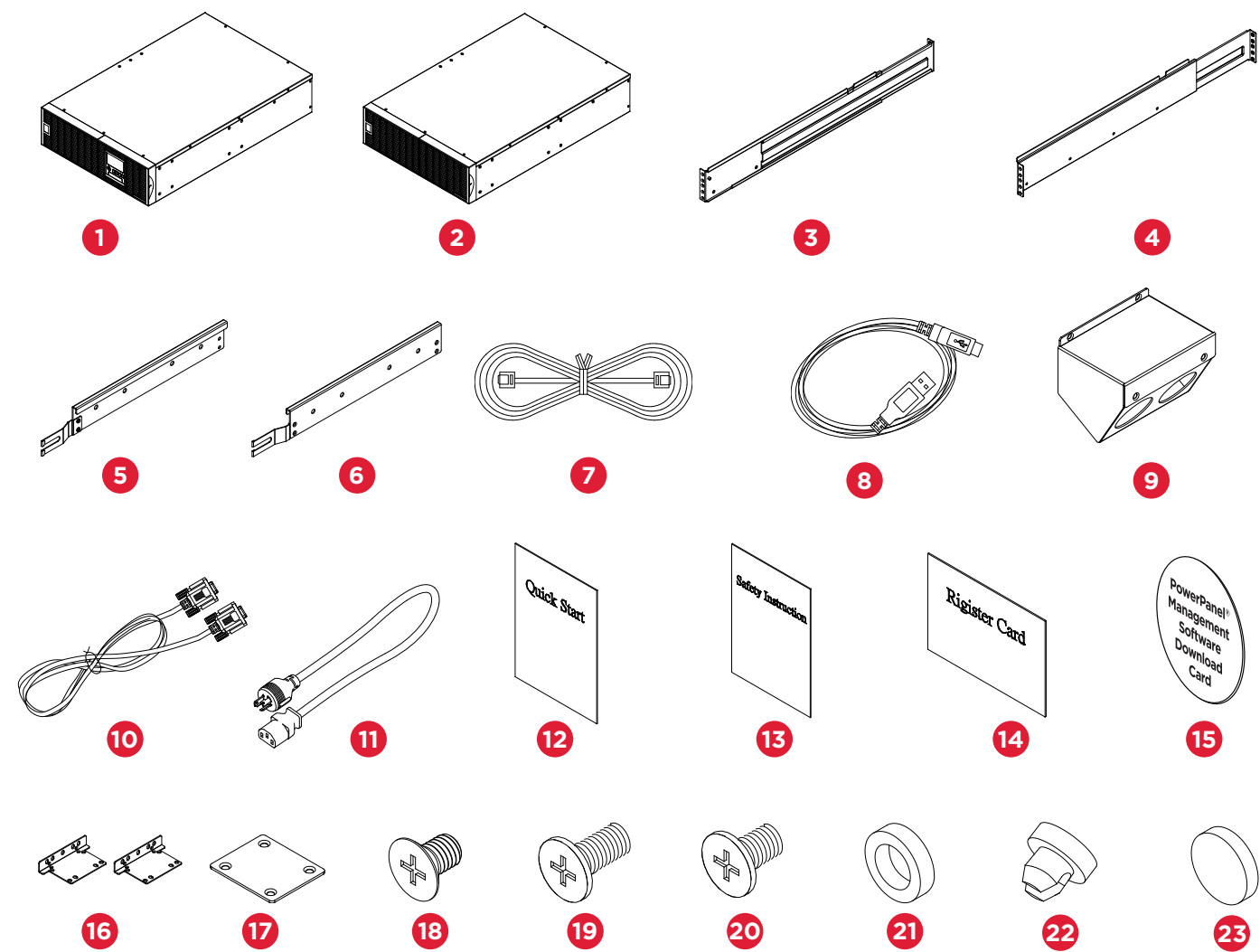


OL6KRT/OL8KRT/OL10KRT/ QUICK START GUIDE

UNPACKING



Note: Follow the Extended Battery Module (EBM) unpacking instructions label found on top of the EBM box.

ITEM	CONTENT	QTY	ITEM	CONTENT	QTY
1	Power module	1	12	Quick Start Guide	1
2	Extended Battery Module (EBM)	1	13	Safety instruction	1
3	Rackmount left rail	2	14	Registration warranty card	1
4	Rackmount right rail	2	15	PowerPanel Management Software Download Card	1
5	Left hanging bracket	2	16	Rackmount ears	4
6	Right hanging bracket	2	17	Tie plate	1
7	Phone line	1	18	Flat head screws M5X7L	16
8	USB communication cable	1	19	Pan head screws M5X12L	24
9	Input / Output terminal block cover (Only for OL8KRT and OL10KRT models)	1	20	Pan head screws M5X6L	12
10	Serial Interface Cable (RS-232)	1	21	Plastic washers	16
11	NEMA L6-30P to IEC-320-C13 power cord	1	22	Screw hole dust covers	28
			23	Rubber pads	24

Need Additional Help? Feel free to contact our Tech Support department with installation, troubleshooting, or general product questions.

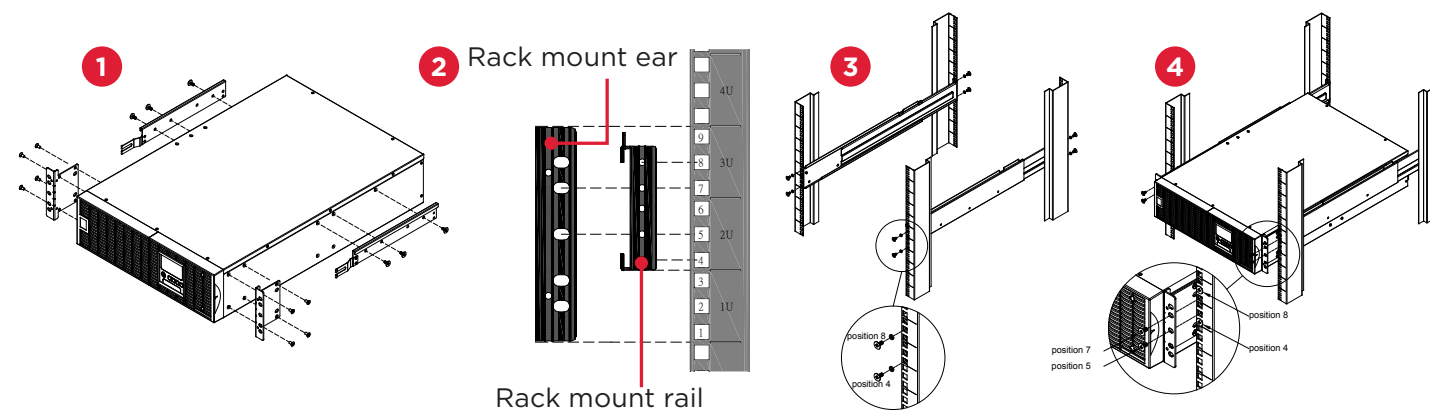
CyberPower Technical Support | 1-877-297-6937 | tech@cpsww.com | cyberpowersystems.com
4241 12th Avenue E, Suite 400, Shakopee, MN 55379, USA
Hours of Operation: Monday - Friday, 7:00am - 6:00pm (CST)

This document is believed to be accurate, but CyberPower reserves the right to change or correct the contents and does not assume any responsibility for omissions or errors. Entire contents copyright © 2017 CyberPower Systems, Inc. All rights reserved. Reproduction in whole or in part without permission is prohibited.

K01-0000648-00

RACKMOUNT INSTALLATION

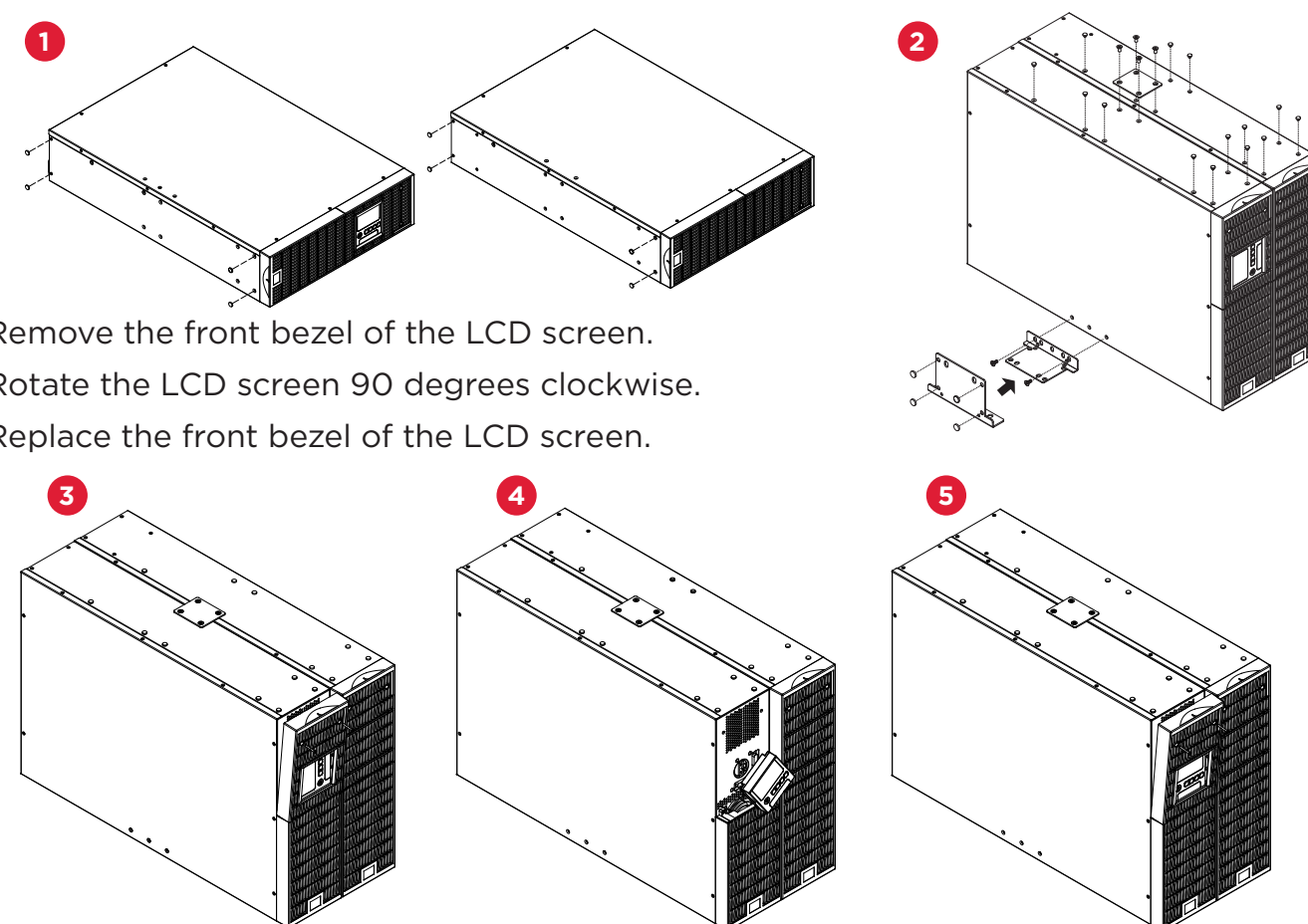
1. Install rack mount ears using eight M5X7L flat head screws and hanging brackets using six M5X6L pan head screws.
2. Locate space where the UPS will be installed in the rack.
3. Install rack mount rails using eight M5X6L pan head screws with plastic washers and adjust rails to necessary rack depth.
4. Place and secure the UPS on to the rack mount rails using four M5X12L pan head screws.



Note: Repeat these steps with the Extended Battery Module.

TOWER INSTALLATION

1. Adhere eight circular rubber pads to the left hand side of the UPS and Extended Battery Module. This will become the bottom of the UPS.
2. Rotate the UPS and Extended Battery Module 90 degrees to stand as a tower. Install dust covers on each module and secure the tie plate between the UPS and Extended Battery Module using four M5X7L flat head screws. Optionally adhere four circular rubber pads to each rack mount ear to use as tower stands and screw to the bottom of the UPS and EBM using four M5X6L pan head screws for added stability.



UPS INPUT/OUTPUT ELECTRICAL CONNECTION

IMPORTANT! Make sure the utility circuit breaker feeding the UPS input is in the OFF position
IMPORTANT! Verify the input branch circuit breaker and wiring meet the recommended sizing:

UPS CAPACITY	BRANCH CIRCUIT BREAKER	WIRING AWG	WIRING MM ²
6KVA	40A	10 AWG	5.5 MM ²
8KVA	50A	8 AWG	8.0 MM ²
10KVA	70A	6 AWG	14.0 MM ²

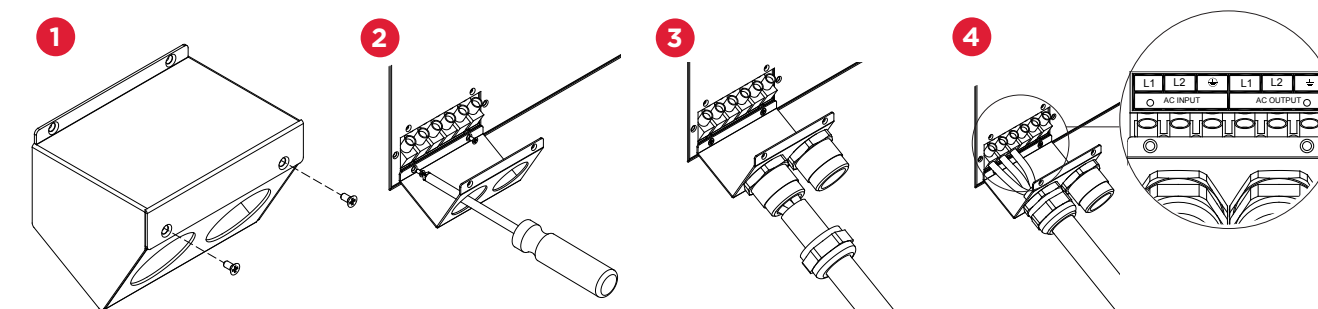
Note: For UPS installations requiring back feed protection please refer to the User Manual available to download on www.cyberpowersystems.com.

UPS INPUT/OUTPUT ELECTRICAL CONNECTION

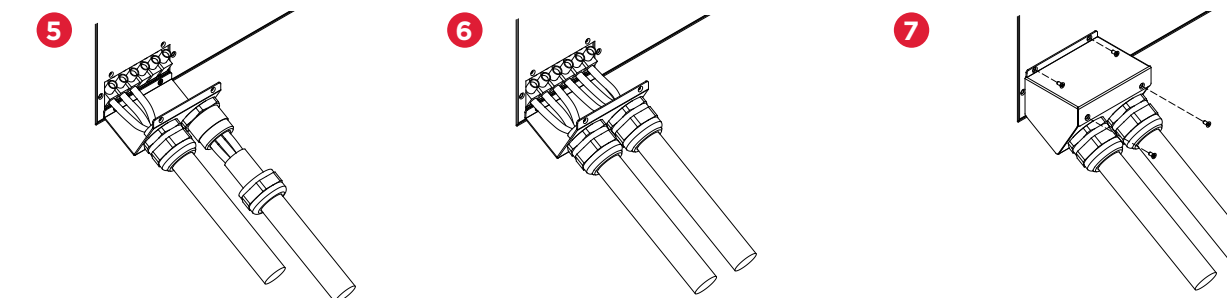
OL6KRT ELECTRICAL CONNECTION: Connect the L6-30P input power cord to a properly wired L6-30R outlet. Proceed to connect Extended Battery Module directions.

OL8KRT AND OL10KRT ELECTRICAL CONNECTION: Please see the instructions as shown below.

1. Separate the top and bottom covers by loosening the two screws to separate the top and bottom covers.
2. Fix the bottom cover on the terminal block by tightening the two screws to fix the bottom cover on the terminal block.
3. Insert the input cable through the appropriate cable gland (not included).
4. Connect the three wires to the input terminal block.

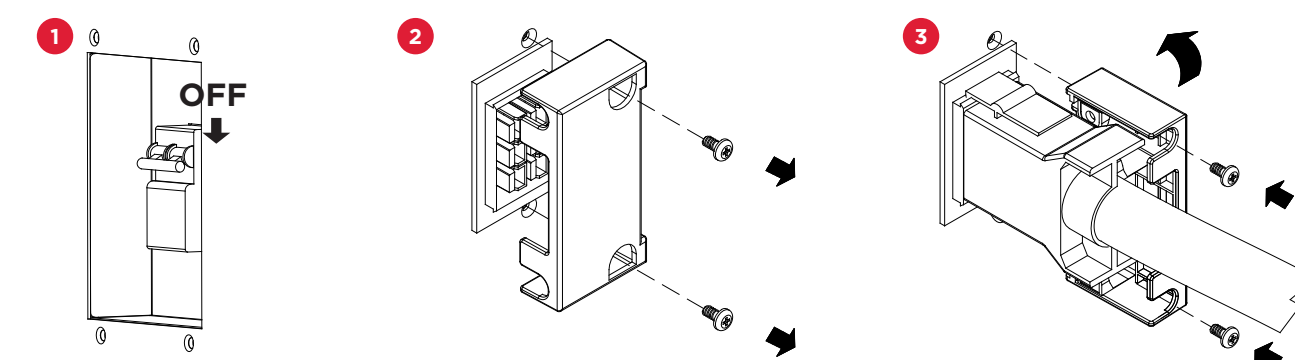


5. Insert the output cable through the appropriate cable gland (not included).
6. Connect the three wires to the output terminal block.
7. Fix the top cover on the bottom cover by tightening the four screws to fix the top cover on the bottom cover.



CONNECTING EXTENDED BATTERY MODULE TO UPS POWER MODULE

1. Make sure the Extended Battery Module (EBM) DC breaker is in the OFF position.
2. Remove the DC power input protective cover on the UPS.
3. Connect the Extended Battery Module connector to the UPS. Ensure it is seated properly (connector will click into place). Secure the connector to the UPS by rotating the protective cover over the EBM connector and screw it on to the UPS.



POWER ON THE UPS SYSTEM

1. Switch EBM DC breaker to the ON position.
2. Switch the utility circuit breaker feeding the UPS to the ON position.
3. Turn the UPS ON - push and hold the ON/OFF power button for 3 seconds; you will hear continuous beeps, the BATTERY ON yellow LED will first turn on for a couple of seconds followed by the ON-LINE green LED.
4. Customize UPS system configuration settings as needed. See User's Manual for complete details. User Manual is available to download on www.cyberpowersystems.com.
5. Connect equipment load to the UPS system.

