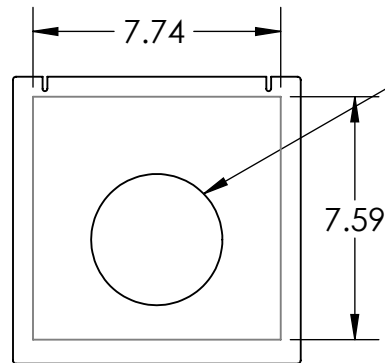
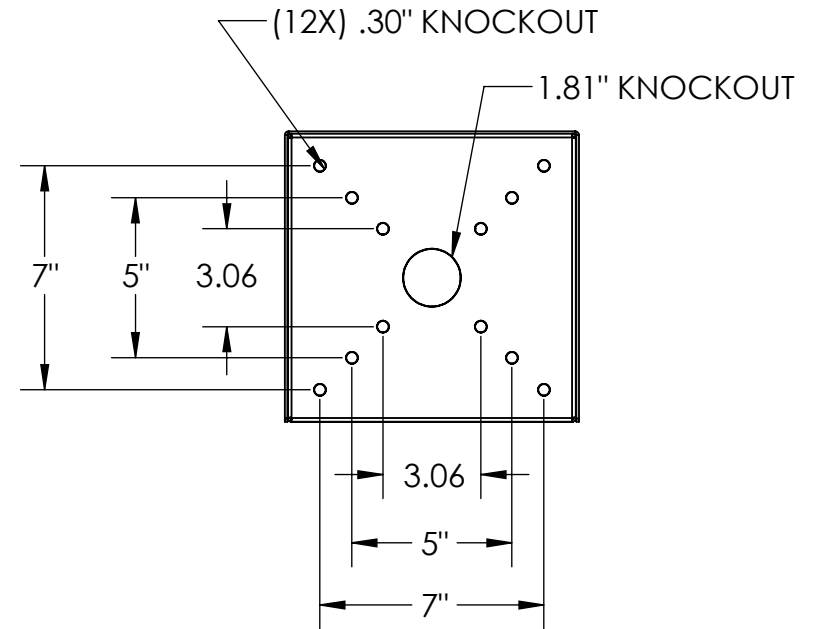
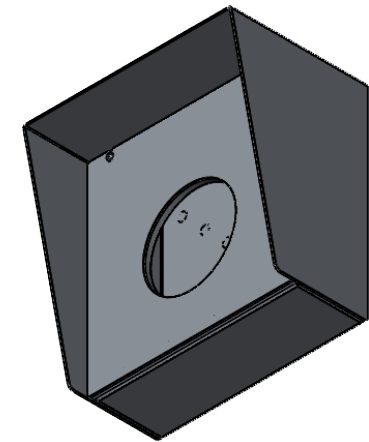


SECTION A-A



2N INDOOR TALK, VIEW, COMPACT  
 \*REQUIRES 2N BACK BOX P/N: 01700-001



AVAILABLE CUTOUT AREA

- NOTES:  
 1. MATERIAL OF CONSTRUCTION IS 304 SS, BRUSHED #4.



PEDESTALPRO.COM  
 1-800-660-3072

UNLESS OTHERWISE SPECIFIED:

DIMENSIONS ARE IN INCHES  
 TOLERANCES:  
 FRACTIONAL:  $\pm 1/32$   
 ANGULAR:  $\pm 2^\circ$   
 TWO PLACE DECIMAL:  $\pm 0.010$   
 THREE PLACE DECIMAL:  $\pm 0.005$

INTERPRET GEOMETRIC  
 TOLERANCING PER:  
 ASME Y14.5 -2009

NAME	DATE
DRAWN	
CHECKED	

**PROPRIETARY AND CONFIDENTIAL**  
 THE INFORMATION CONTAINED IN THIS  
 DRAWING IS THE SOLE PROPERTY OF  
 PEDESTALPRO LLC. ANY REPRODUCTION  
 IN PART OR AS A WHOLE WITHOUT THE  
 WRITTEN PERMISSION OF PEDESTALPRO LLC  
 IS PROHIBITED.

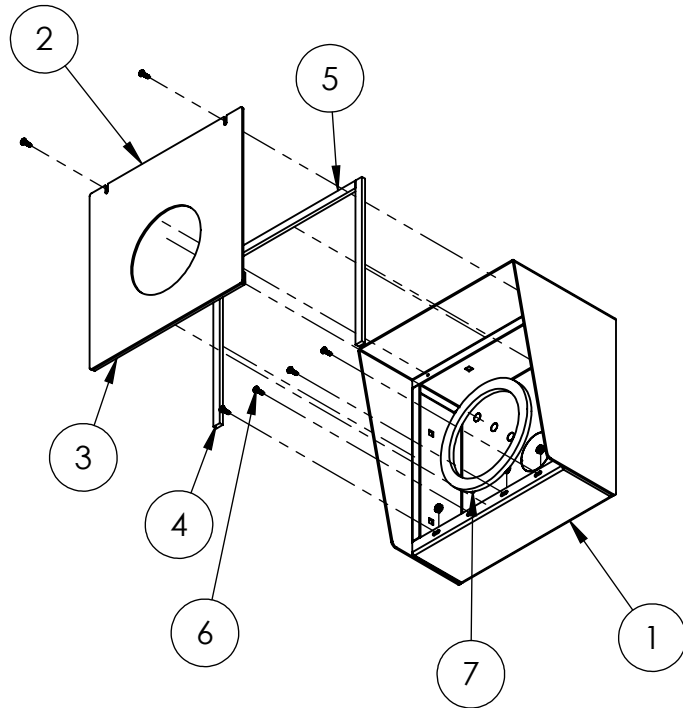
TITLE:  
**INSTALLATION**

Tuesday, September  
 11, 2018 9:34:19 AM

WEIGHT: 9.922

SIZE	PART NO.	REV
<b>A</b>	99HOU-2NIP-01-304	<b>A</b>
NO SCALE		SHEET 1 OF 7

ITEM NO.	PART NUMBER	DESCRIPTION	QTY.
1	99HOU-2NIP-01-304 ENCLOSURE	ENCLOSURE WELDMENT	1
2	99HOU-2NIP-01-304 DOOR	DOOR	1
3	HINGE	PIANO HINGE	1
4	GASKET SIDE	3/8" X .150 WEATHERSTRIPPING	2
5	GASKET TOP	3/8" X .150 WEATHERSTRIPPING	1
6	--	6-32 PAN HEAD SCREW	6
7	--	6-32 EXTERNAL TOOTH LOCK NUT	4
9	2N INDOOR TALK-VIEW-COMPACT STANDOFF	INDOOR SERIES MOUNTING STANDOFF	1



NOTES:

- SEE STANDARD PREPARATION AND COATING INSTRUCTIONS FOR COATING PROCEDURE AND COLOR.
- SEE STANDARD PACKAGING INSTRUCTIONS FOR PACKAGING PROCEDURE.

UNLESS OTHERWISE SPECIFIED:

DIMENSIONS ARE IN INCHES  
TOLERANCES:  
FRACTIONAL  $\pm 1/32$   
ANGULAR:  $\pm 2^\circ$   
TWO PLACE DECIMAL  $\pm 0.010$   
THREE PLACE DECIMAL  $\pm 0.005$

INTERPRET GEOMETRIC TOLERANCING PER: ASME Y14.5 -2009

NAME DATE

DRAWN

CHECKED

**PROPRIETARY AND CONFIDENTIAL**

THE INFORMATION CONTAINED IN THIS DRAWING IS THE SOLE PROPERTY OF PEDESTALPRO LLC. ANY REPRODUCTION IN PART OR AS A WHOLE WITHOUT THE WRITTEN PERMISSION OF PEDESTALPRO LLC IS PROHIBITED.

TITLE:

**ASSEMBLY**

Tuesday, September 11, 2018 9:34:19 AM

WEIGHT: 9.922

SIZE  
**A**

PART NO.

99HOU-2NIP-01-304

NO SCALE

REV  
**0**

SHEET 2 OF 7