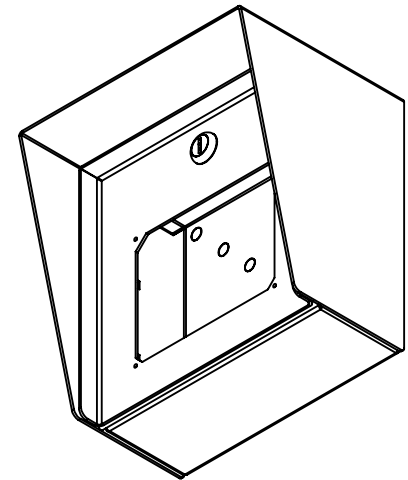


CUTOUT FITS VIKING:

- K-1700-3, K-1700-3-BN, K-1700-3-BN-EWP
- K-1700-3-EWP, K-1700-BN-IP, K-1700-BN-IPEWP
- K-1700-IP, K-1700-IP-EWP, K-1705-3
- K-1705-3-BN, K-1705-3-BN-EWP, K-1705-3-EWP
- K-1705-BN-IP, K-1705-BN-IPEWP, K-1705-IP
- K-1705-IP-EWP, K-1770-3, K-1770-3-BN, K-1770-3-BN-EWP
- K-1770-3-EWP, K-1770-BN-IP, K-1770-BN-IPEWP
- K-1770-IP, K-1770-IP-EWP, K-1775-3, K-1775-3-BN
- K-1775-3-BN-EWP, K-1775-3-EWP, K-1775-BN-IP
- K-1775-BN-IPEWP, K-1775-IP, K-1775-IP-EWP



NOTES:

1. MATERIAL OF CONSTRUCTION IS MILD STEEL.
2. 2-4 MILS BLACK WRINKLE POWDER COAT. (8017-91612)



PEDESTALPRO.COM
1-800-660-3072

UNLESS OTHERWISE SPECIFIED:

DIMENSIONS ARE IN INCHES
TOLERANCES:
FRACTIONAL $\pm 1/32$
ANGULAR: $\pm 2^\circ$
TWO PLACE DECIMAL ± 0.010
THREE PLACE DECIMAL ± 0.005

INTERPRET GEOMETRIC
TOLERANCING PER:
ASME Y14.5 -2009

NAME	DATE
DRAWN	
CHECKED	

PROPRIETARY AND CONFIDENTIAL
THE INFORMATION CONTAINED IN THIS DRAWING IS THE SOLE PROPERTY OF PEDESTALPRO LLC. ANY REPRODUCTION IN PART OR AS A WHOLE WITHOUT THE WRITTEN PERMISSION OF PEDESTALPRO LLC IS PROHIBITED.

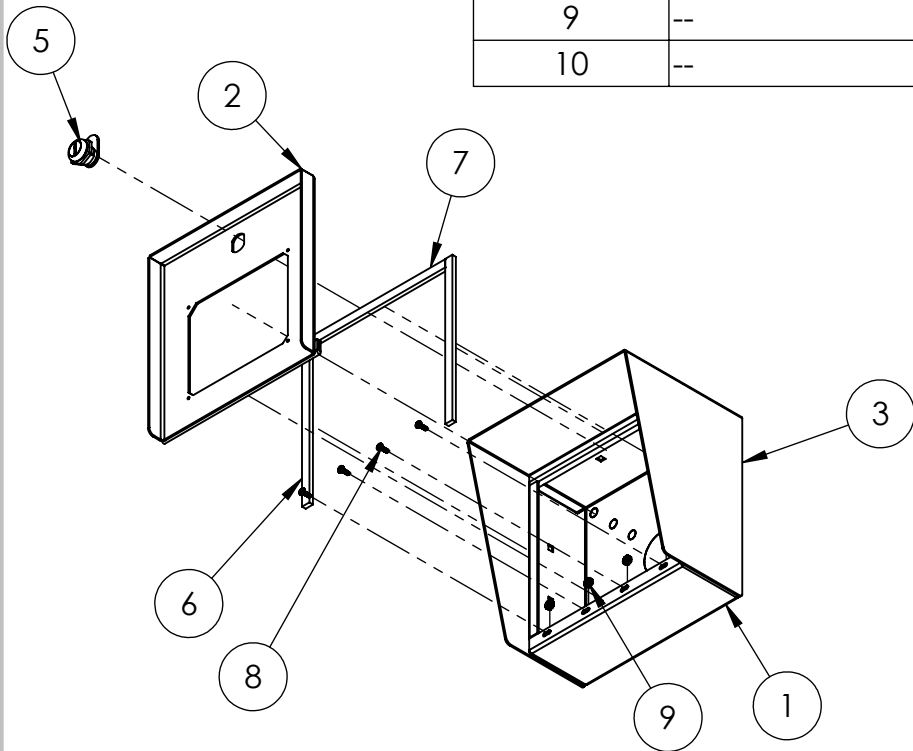
TITLE:
INSTALLATION

Friday, May 19, 2023
12:50:51 PM

WEIGHT: 7.680

SIZE	PART NO.	REV
A	88HOU-VIKI-03-CRS	C
NO SCALE		SHEET 1 OF 6

ITEM NO.	PART NUMBER	DESCRIPTION	QTY.
1	88HOU-VIKI-03-CRS ENCLOSURE	ENCLOSURE WELDMENT	1
2	88HOU-VIKI-03-CRS DOOR	DOOR WELDMENT	1
3	88HOU-VIKI-03-CRS HOOD	HOOD	1
4	HINGE	PIANO HINGE	1
5	CAM LOCK	STRAIGHT CAM	1
6	GASKET SIDE	3/8" X .150 WEATHERSTRIPPING	2
7	GASKET TOP	3/8" X .150 WEATHERSTRIPPING	1
8	--	6-32 PAN HEAD SCREW	4
9	--	6-32 EXTERNAL TOOTH LOCK NUT	4
10	--	8-32 HEX DRIVE FLAT HEAD SCREW	4



NOTES:

1. SEE STANDARD PREPARATION AND COATING INSTRUCTIONS FOR COATING PROCEDURE AND COLOR.
2. SEE STANDARD PACKAGING INSTRUCTIONS FOR PACKAGING PROCEDURE.



PEDESTALPRO.COM
1-800-660-3072

UNLESS OTHERWISE SPECIFIED:

DIMENSIONS ARE IN INCHES
TOLERANCES:
FRACTIONAL $\pm 1/32$
ANGULAR: $\pm 2^\circ$
TWO PLACE DECIMAL ± 0.010
THREE PLACE DECIMAL ± 0.005

INTERPRET GEOMETRIC
TOLERANCING PER:
ASME Y14.5 -2009

NAME	DATE
DRAWN	
CHECKED	

PROPRIETARY AND CONFIDENTIAL
THE INFORMATION CONTAINED IN THIS DRAWING IS THE SOLE PROPERTY OF PEDESTALPRO LLC. ANY REPRODUCTION IN PART OR AS A WHOLE WITHOUT THE WRITTEN PERMISSION OF PEDESTALPRO LLC IS PROHIBITED.

TITLE:
ASSEMBLY

Friday, May 19, 2023
12:50:51 PM

WEIGHT: 7.680

SIZE	PART NO.	REV
A	88HOU-VIKI-03-CRS	C
NO SCALE		SHEET 2 OF 6