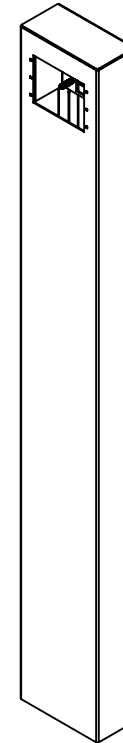
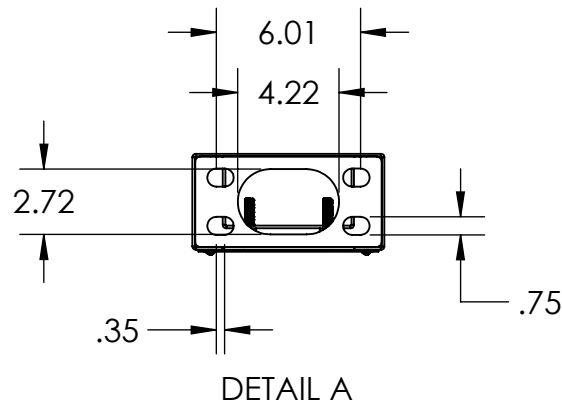


KNOX BOX 3200
FLUSH MOUNT



NOTES:
1. MATERIAL OF CONSTRUCTION IS 304 SS, BRUSHED #4.



PEDESTALPRO.COM
1-800-660-3072

UNLESS OTHERWISE SPECIFIED:

DIMENSIONS ARE IN INCHES
TOLERANCES:
FRACTIONAL $\pm 1/32$
ANGULAR: $\pm 2^\circ$
TWO PLACE DECIMAL ± 0.010
THREE PLACE DECIMAL ± 0.005

INTERPRET GEOMETRIC
TOLERANCING PER:
ASME Y14.5 -2009

NAME	DATE
DRAWN	
CHECKED	

PROPRIETARY AND CONFIDENTIAL
THE INFORMATION CONTAINED IN THIS DRAWING IS THE SOLE PROPERTY OF PEDESTALPRO LLC. ANY REPRODUCTION IN PART OR AS A WHOLE WITHOUT THE WRITTEN PERMISSION OF PEDESTALPRO LLC IS PROHIBITED.

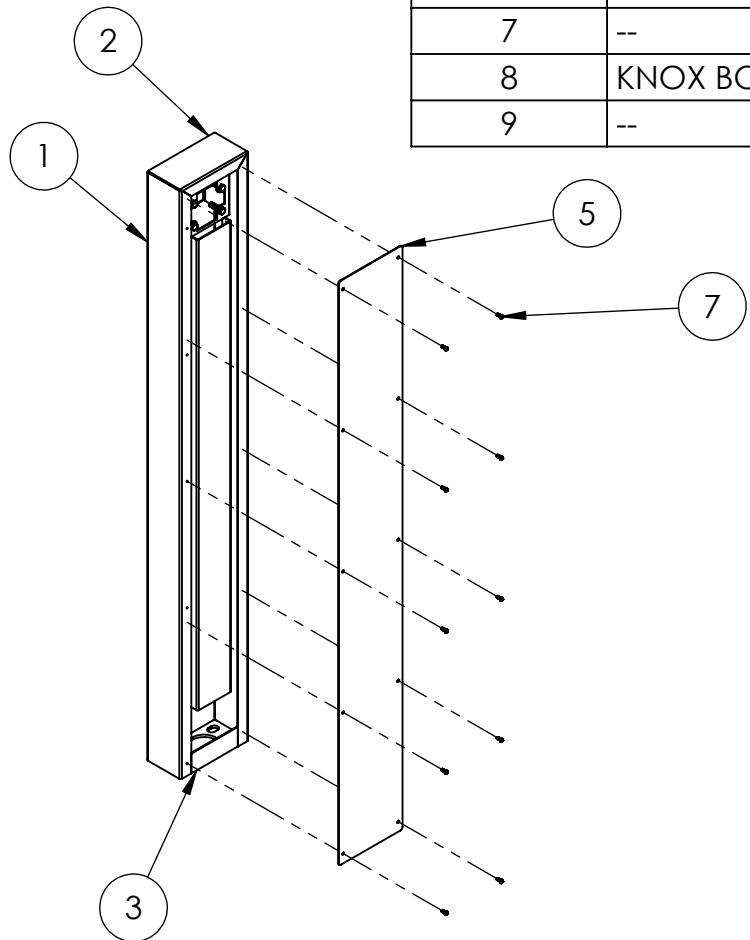
TITLE:
INSTALLATION

Tuesday, August 29,
2023 2:53:13 PM

WEIGHT: 54.648

SIZE	PART NO.	REV
A	84CAB-KNOX-01-304	A
NO SCALE		SHEET 1 OF 9

ITEM NO.	PART NUMBER	DESCRIPTION	QTY.
1	MAIN BODY	MAIN BODY	1
2	TOP	TOP	1
3	BOTTOM CLOSURE	BOTTOM CLOSURE	1
4	BASE PLATE	BASE PLATE	1
5	ACCESS PANEL	ACCESS PANEL	1
6	STIFFENER	STIFFENER	1
7	--	8-32 X 1/2" PAN HEAD SCREW	10
8	KNOX BOX 3200	KNOX BOX 3200 BRACKET	1
9	--	3/8"-16 X 1.25" HHCS	4



- NOTES:
- SEE STANDARD PREPARATION AND COATING INSTRUCTIONS FOR COATING PROCEDURE AND COLOR.
 - SEE STANDARD PACKAGING INSTRUCTIONS FOR PACKAGING PROCEDURE.



PEDESTALPRO.COM
1-800-660-3072

UNLESS OTHERWISE SPECIFIED:
 DIMENSIONS ARE IN INCHES
 TOLERANCES:
 FRACTIONAL ± 1/32
 ANGULAR: ± 2°
 TWO PLACE DECIMAL ± 0.010
 THREE PLACE DECIMAL ± 0.005
 INTERPRET GEOMETRIC TOLERANCING PER: ASME Y14.5 -2009

NAME	DATE
DRAWN	
CHECKED	
PROPRIETARY AND CONFIDENTIAL	
THE INFORMATION CONTAINED IN THIS DRAWING IS THE SOLE PROPERTY OF PEDESTALPRO LLC. ANY REPRODUCTION IN PART OR AS A WHOLE WITHOUT THE WRITTEN PERMISSION OF PEDESTALPRO LLC IS PROHIBITED.	

TITLE: ASSEMBLY		SIZE A	PART NO. 84CAB-KNOX-01-304	REV A
Tuesday, August 29, 2023 2:53:13 PM		NO SCALE		SHEET 2 OF 9
WEIGHT: 54.648				