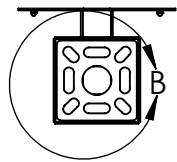


DETAIL B



NOTES:

1. MATERIAL OF CONSTRUCTION IS 304 SS, BRUSHED #4.



PEDESTALPRO.COM  
1-800-660-3072

UNLESS OTHERWISE SPECIFIED:

DIMENSIONS ARE IN INCHES  
TOLERANCES:  
FRACTIONAL  $\pm 1/32$   
ANGULAR:  $\pm 2^\circ$   
TWO PLACE DECIMAL  $\pm 0.010$   
THREE PLACE DECIMAL  $\pm 0.005$

INTERPRET GEOMETRIC  
TOLERANCING PER:  
ASME Y14.5 -2009

NAME	DATE
DRAWN	
CHECKED	

**PROPRIETARY AND CONFIDENTIAL**  
THE INFORMATION CONTAINED IN THIS DRAWING IS THE SOLE PROPERTY OF PEDESTALPRO LLC. ANY REPRODUCTION IN PART OR AS A WHOLE WITHOUT THE WRITTEN PERMISSION OF PEDESTALPRO LLC IS PROHIBITED.

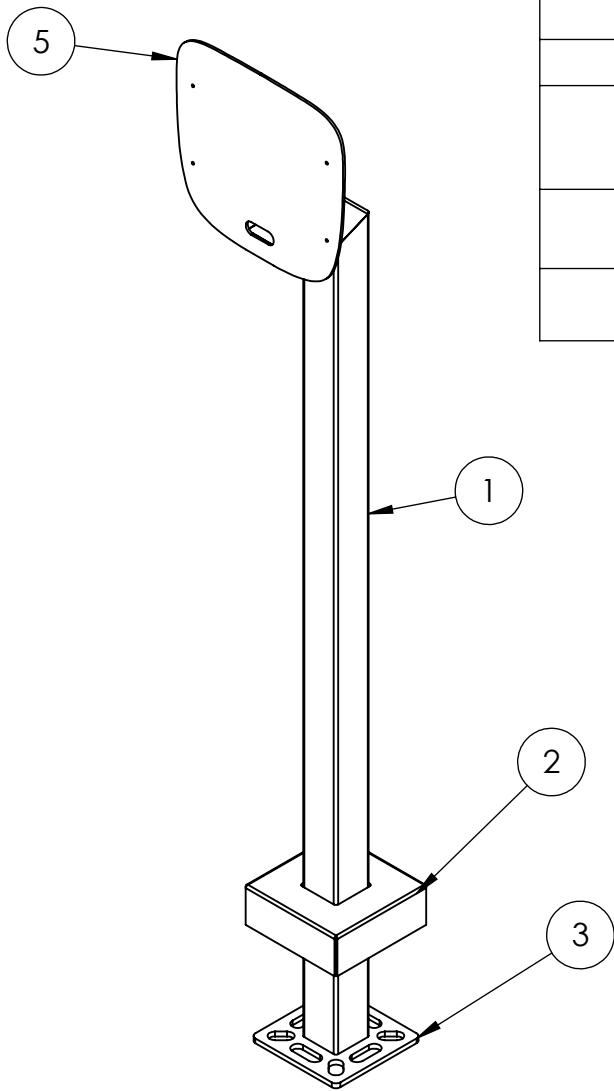
TITLE:

INSTALLATION

Wednesday, January 23, 2019 10:46:39 AM

WEIGHT: 17.99

SIZE	PART NO.	REV
<b>A</b>	22PE1-BUT-04-304	<b>B</b>
NO SCALE		SHEET 1 OF 5



ITEM NO.	PART NUMBER	DESCRIPTION	QTY.
1	22PE1-BUT-04-304 TUBE VERTICAL	2X2X.120 SQ 304 SS TUBE	1
2	PLTCOV-5-2	5" STANDARD COVER PLATE	1
3	PLTBAS-5-2	5" STANDARD BASE PLATE	1
4	--	316 STAINLESS STEEL ULTRA-LOW-PROFILE SOCKET HEAD SCREW 8-32 X 5/16"	4
5	12IN MONARCH FACE PLATE	BMX 12" MONARCH MOUNTING PLATE	1
6	--	18-8 STAINLESS STEEL CAP NUT 8-32	4

**NOTES:**

1. BUTT WELDED SECTIONS ARE NOT ALLOWED, EACH SECTION OF TUBE MUST BE FROM CONTINUOUS STOCK.
2. ALL WELDS ARE TO BE CONTINUOUS FILLET WELDS UNLESS NOTED OTHERWISE.
3. SEE STANDARD PREPARATION AND COATING INSTRUCTIONS FOR COATING PROCEDURE AND COLOR.
4. FASTENERS ARE TO BE BAGGED AND SHIPPED WITH PEDESTAL.
5. SEE STANDARD PACKAGING INSTRUCTIONS FOR PACKAGING PROCEDURE.



PEDESTALPRO.COM  
1-800-660-3072

UNLESS OTHERWISE SPECIFIED:

DIMENSIONS ARE IN INCHES  
TOLERANCES:  
FRACTIONAL  $\pm 1/32$   
ANGULAR:  $\pm 2^\circ$   
TWO PLACE DECIMAL  $\pm 0.010$   
THREE PLACE DECIMAL  $\pm 0.005$

INTERPRET GEOMETRIC TOLERANCING PER: ASME Y14.5 -2009

NAME	DATE
DRAWN	
CHECKED	

**PROPRIETARY AND CONFIDENTIAL**  
THE INFORMATION CONTAINED IN THIS DRAWING IS THE SOLE PROPERTY OF PEDESTALPRO LLC. ANY REPRODUCTION IN PART OR AS A WHOLE WITHOUT THE WRITTEN PERMISSION OF PEDESTALPRO LLC IS PROHIBITED.

TITLE:  
**ASSEMBLY**

Wednesday, January 23, 2019 10:46:39 AM

WEIGHT: 17.99

SIZE	PART NO.	REV
<b>A</b>	22PE1-BUT-04-304	<b>B</b>

NO SCALE

SHEET 2 OF 5