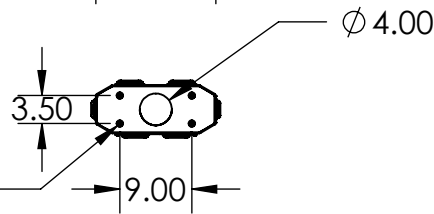
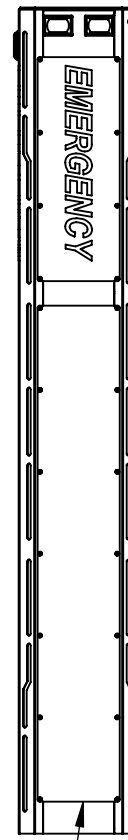
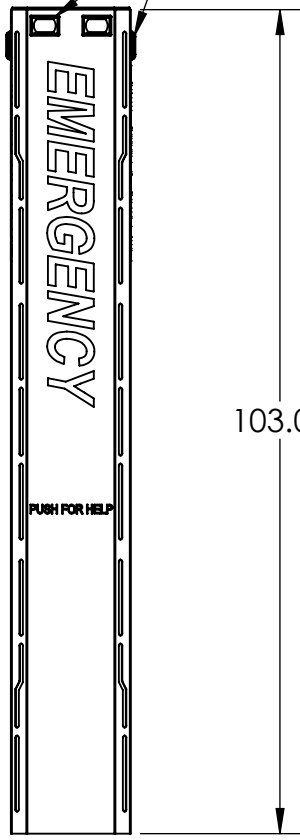
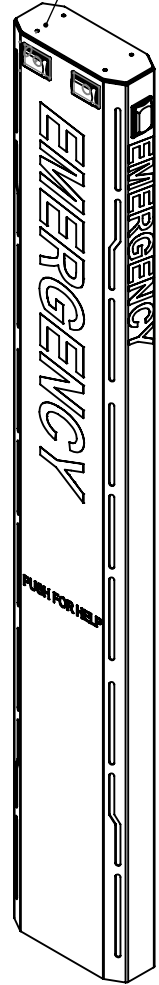


REMOVABLE TOP/ACCESSORY MOUNTING

(6X) BLUE STROBE

PHOTOCELL SENSOR

ACCESS PANEL



NOTES:

1. MATERIAL OF CONSTRUCTION IS ALUMINUM.
2. COATED IN 2-4 MILS GLOSS BLUE POWDER COATING.
3. INTERCOM, CAMERAS, ETC. TO BE PROVIDED BY CUSTOMER.
4. LIGHTING REQUIRES CONNECTION TO INTERCOM FOR ACTIVATION.



PEDESTALPRO.COM  
1-800-660-3072

UNLESS OTHERWISE SPECIFIED:

DIMENSIONS ARE IN INCHES  
TOLERANCES:  
FRACTIONAL  $\pm 1/32$   
ANGULAR:  $\pm 2^\circ$   
TWO PLACE DECIMAL  $\pm 0.010$   
THREE PLACE DECIMAL  $\pm 0.005$

INTERPRET GEOMETRIC TOLERANCING PER: ASME Y14.5 -2009

NAME	DATE
DRAWN	
CHECKED	

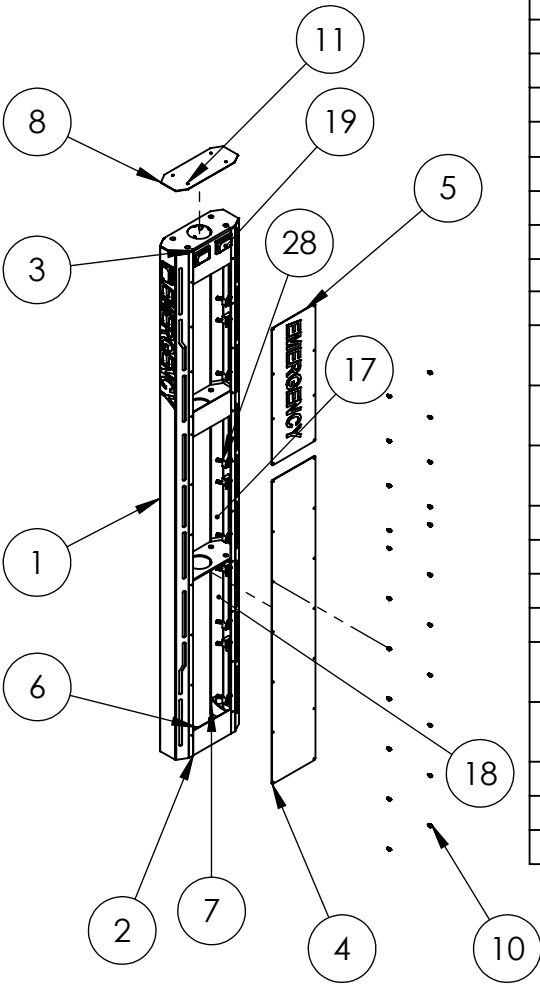
**PROPRIETARY AND CONFIDENTIAL**  
THE INFORMATION CONTAINED IN THIS DRAWING IS THE SOLE PROPERTY OF PEDESTALPRO LLC. ANY REPRODUCTION IN PART OR AS A WHOLE WITHOUT THE WRITTEN PERMISSION OF PEDESTALPRO LLC IS PROHIBITED.

TITLE:  
**INSTALLATION**

Monday, September 18, 2023 3:04:49 PM

WEIGHT: 926.454

SIZE	PART NO.	REV
<b>A</b>	156TOW-EMER-01-ALU	<b>B</b>
NO SCALE		SHEET 1 OF 20



ITEM NO.	PART NUMBER	DESCRIPTION	QTY.
1	156TOW-EMER-01-ALU BODY	ALUMINUM BODY	1
2	156TOW-EMER-01-ALU CLOSURE	CLOSURE PANEL	2
3	156TOW-EMER-01-ALU CAP	TOP CAP	1
4	156TOW-EMER-01-ALU ACCESS LOWER	ACCESS PANEL	1
5	156TOW-EMER-01-ALU ACCESS UPPER	ACCESS PANEL	1
6	156TOW-EMER-01-ALU BASE	BASE PLATE	1
7	156TOW-EMER-01-ALU STIFFENER	BASE STIFFENER	2
8	156TOW-EMER-01-ALU TOP CAP	BLANK CAP	1
9	156TOW-EMER-01-ALU RIB	INTERNAL BRACING PLATE	2
10	--	1/4-20 X 1/2 SS PAN HD SCREW	22
11	--	1/4"-20 X 1 SS PEM STUD	4
12	--	1/4-20 NYLON LOCK NUT	4
13	--	1/4-20 X 1" FLAT WASHER	4
14	--	4-40 X 1/2 SS PAN HD SCREW	24
15	--	DIN MOUNTING RAIL	3
16	156TOW-EMER-01-ALU POLYCARB TOP	FROSTED POLYCARBONATE WINDOW	2
17	156TOW-EMER-01-ALU POLYCARB MID	FROSTED POLYCARBONATE WINDOW	2
18	156TOW-EMER-01-ALU POLYCARB BOTTOM	FROSTED POLYCARBONATE WINDOW	2
19	BLUE BRICK LIGHT	BLUE STOBE LED LIGHT	6
20	LARGE EMERGENCY DECAL	WHITE REFLECTIVE VINYL	1
21	MEDIUM EMERGENCY DECAL	WHITE REFLECTIVE VINYL	3
22	PUSH FOR HELP DECAL	WHITE REFLECTIVE VINYL	1
24	--	10-24 X .75" ALU WELD STUD	30
25	--	10-24 STAINLESS STEEL KEPS NUT	30
26	--	6-32 SS NYLON LOCK NUT	48
27	--	6-32 X 1/2 SS PEM STUD	48
28	BRA133-EMER-01-304	LIGHT BRACKET	12



PEDESTALPRO.COM  
1-800-660-3072

UNLESS OTHERWISE SPECIFIED:

DIMENSIONS ARE IN INCHES  
TOLERANCES:  
FRACTIONAL ± 1/32  
ANGULAR: ± 2°  
TWO PLACE DECIMAL ± 0.010  
THREE PLACE DECIMAL ± 0.005

INTERPRET GEOMETRIC TOLERANCING PER: ASME Y14.5 -2009

NAME	DATE
DRAWN	
CHECKED	

**PROPRIETARY AND CONFIDENTIAL**  
THE INFORMATION CONTAINED IN THIS DRAWING IS THE SOLE PROPERTY OF PEDESTALPRO LLC. ANY REPRODUCTION IN PART OR AS A WHOLE WITHOUT THE WRITTEN PERMISSION OF PEDESTALPRO LLC IS PROHIBITED.

TITLE:  
**ASSEMBLY**

Monday, September 18, 2023 3:04:49 PM

WEIGHT: 926.454

SIZE	PART NO.	REV
<b>A</b>	156TOW-EMER-01-ALU	<b>B</b>

NO SCALE

SHEET 2 OF 20