

**⚠ WARNING!**

This product contains small parts that can be a choking hazard. Do not let children play with any of these small parts! Keep children away from the work area during installation.

**⚠ Caution**

This product is intended to be installed by professional installation contractors, or persons familiar with the tools and methods required for this installation. If you are not sure about your ability to perform this installation, you must contact a professional. MantelMount is not responsible for damage or injury caused by incorrect installation or improper use.

**⚠ Caution**

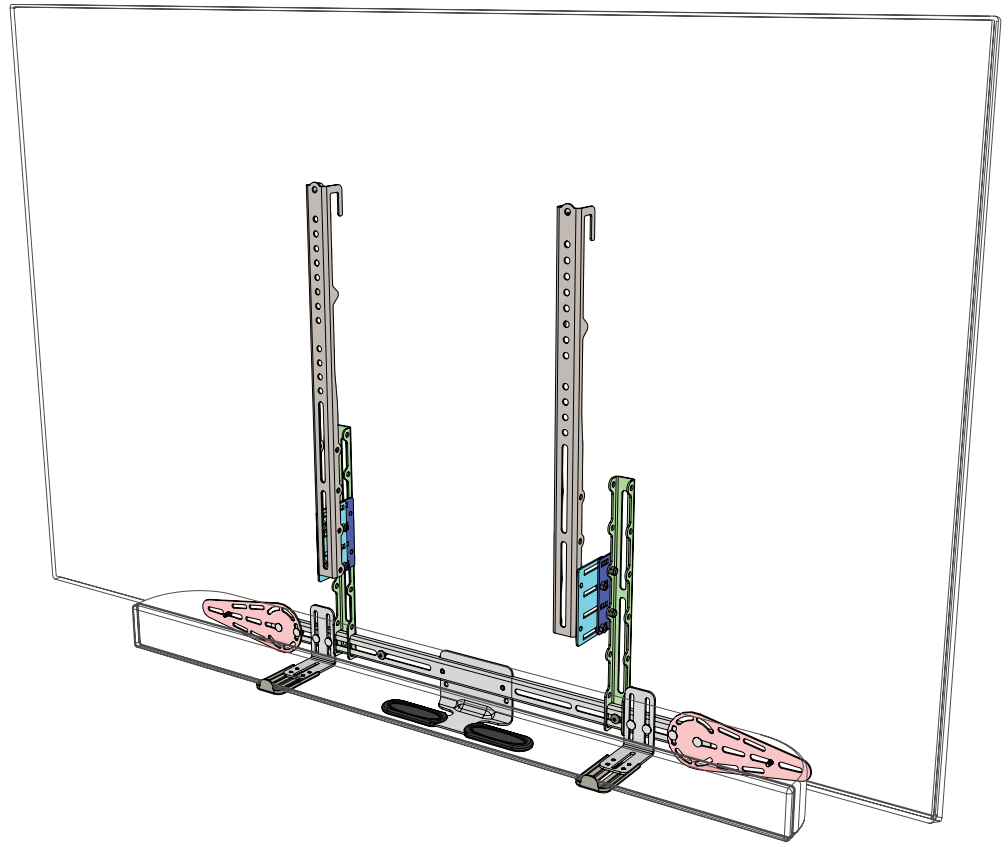
Do not let children operate, pull on, or hang from MantelMount. Do not let children push MantelMount upward to the top position - this will cause the mount to slam against the wall due to the upward force of the springs. Only a person tall enough to control the mount all the way to the top should operate MantelMount.

**⚠ Caution**

Do not use this product in any way, or for any purpose, that is not specifically described in these instructions. MantelMount is not responsible for damage or injury caused by incorrect installation or improper use.

**NOTES:**

- A.** This kit requires some parts and instruction steps from a MantelMount TV mount.
- B.** Any part numbers that are referenced in these instructions that are lower than {80} are parts that come from the MantelMount Mount.
- C.** Most installations will not use all of the parts in this kit.

**Installation Instructions****SBK00 Soundbar Adapter Kit**

**If you need help, call 1.800.897.9755 ext.1**

For missing/damaged parts or questions during installation, please contact our Customer Support team at **1.800.897.9755 ext.1** or **support@mantelmount.com**. Customer satisfaction is our highest priority!

Watch an installation video or access a PDF of this manual at **MantelMount.com/FAQs/Specs and Manuals**.

**Contains important safety information – please save! MantelMount.com**

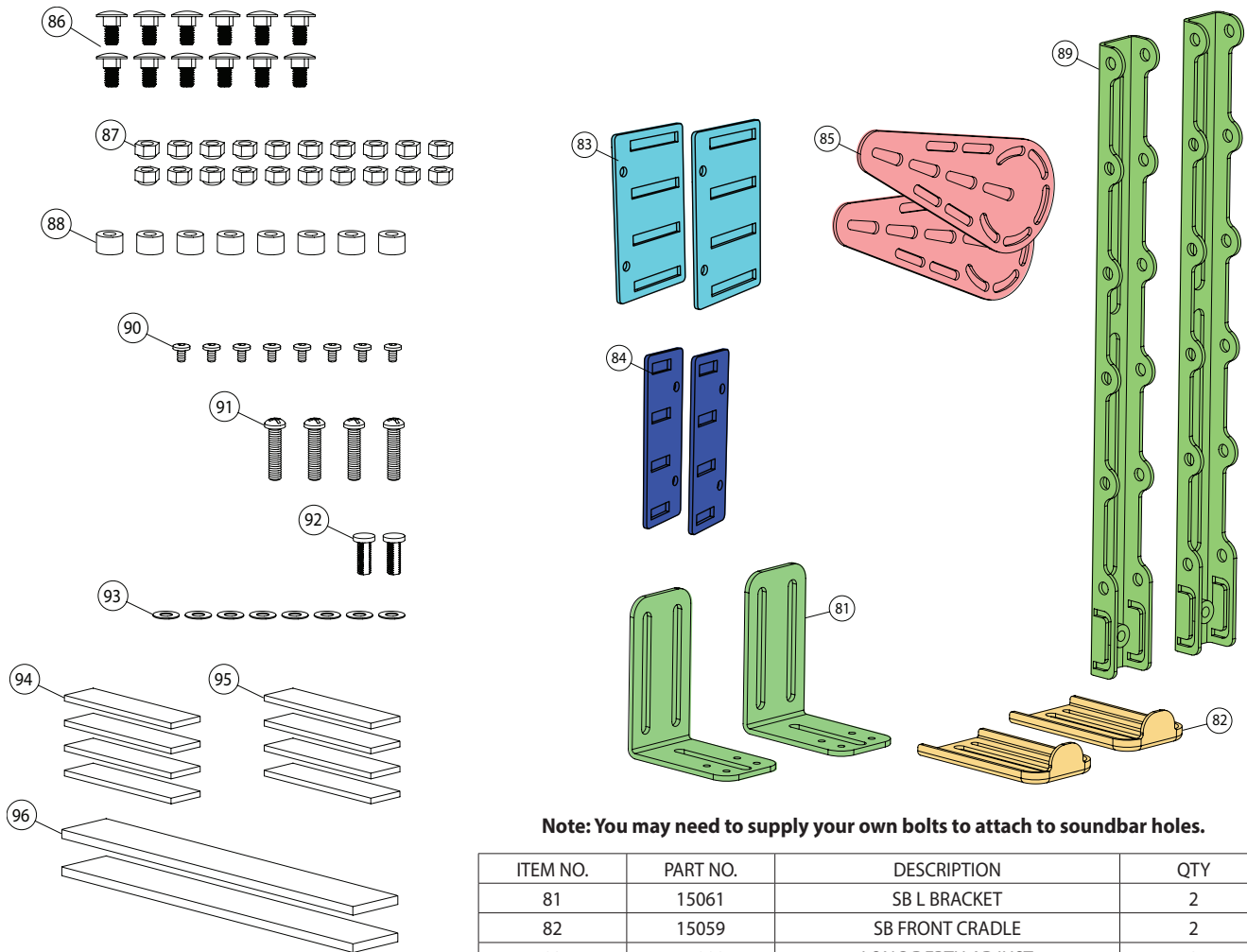
**NOTE:** If installing above a Mantel, add an additional 1.5 inches of clearance to the Minimum Height Chart measurement found in your MantelMount installation guide.

# BEFORE INSTALLATION

## 1 Verify all parts are included.

Before you begin, please verify that all components are included and undamaged. If any parts are missing or damaged, contact MantelMount. Never proceed with missing or damaged parts!

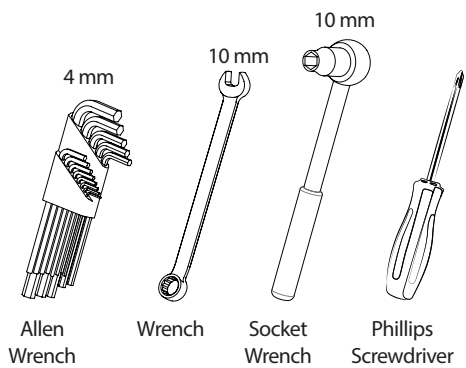
Lay out all components and make sure you identify that each one has a match in the diagram. Some of the parts included will not be used during installation. Do not proceed if you do not understand and identify all of the components.



**Note:** You may need to supply your own bolts to attach to soundbar holes.

ITEM NO.	PART NO.	DESCRIPTION	QTY
81	15061	SB L BRACKET	2
82	15059	SB FRONT CRADLE	2
83	15080	LONG DEPTH ADJUST	2
84	15081	SHORT DEPTH ADJUST	2
85	15010	SOUNDBAR WING	2
86	15083	CARRIAGE BOLT M6 X 12	12
87	12183	LOCKNUT M6	20
88	12122	PLASTIC SPACER	8
89	14056	TV BRACE EXTENDER	2
90	15082	ROUND SCREW M4 X 6	8
91	12194	ROUND SCREW M6 X 30, SILVER	4
92	15012	SOUNDBAR SCREW M6 X 16	2
93	12166	WASHER M6	8
94	12139	VELCRO STRIP HOOK	4
95	12141	VELCRO STRIP LOOP	4
96	15065	FOAM TAPE 5mm X 20 X 120, BLACK	2
97	SBKITM	INSTALLATION MANUAL	1

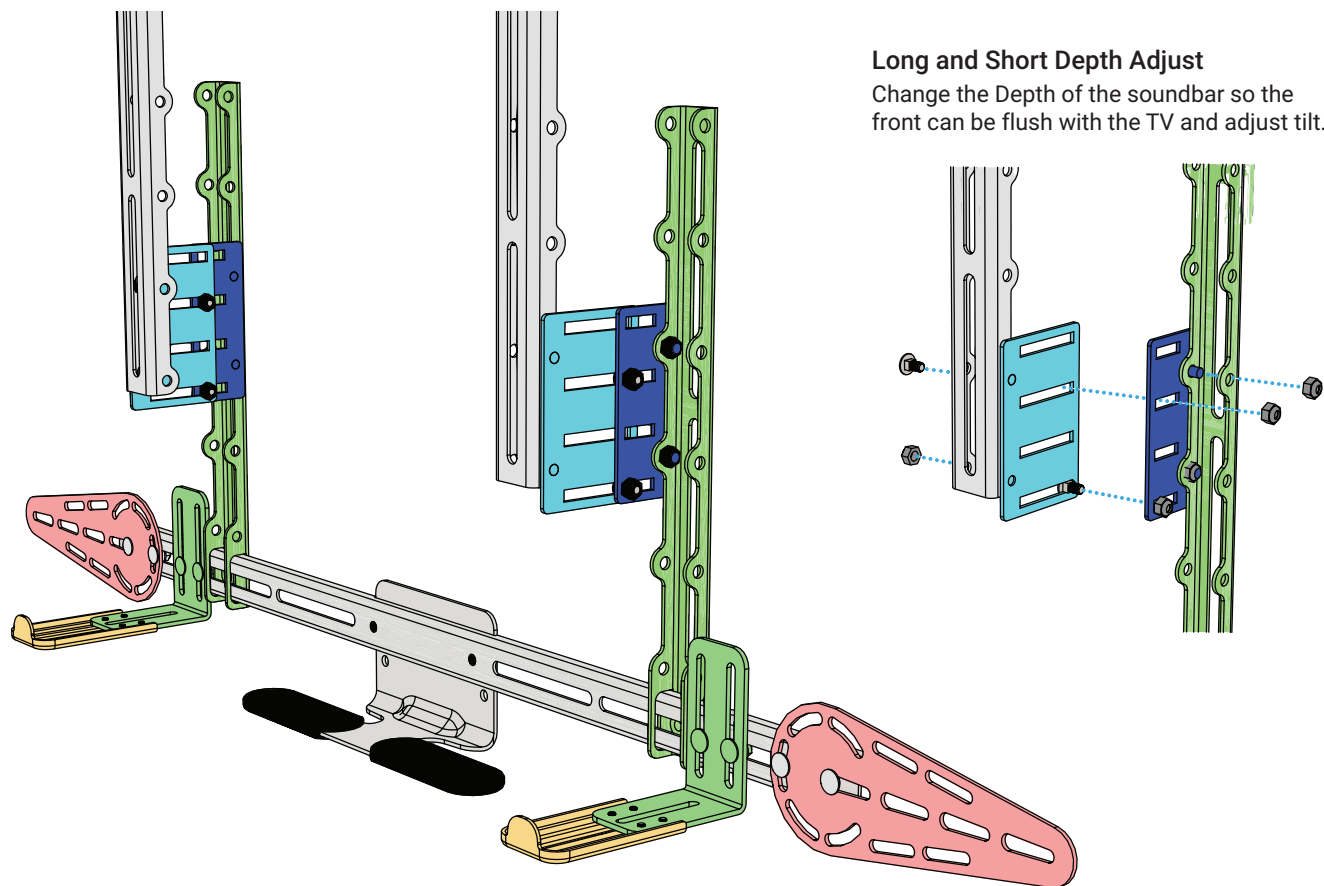
## 2 Verify you have the required tools:



# BEFORE INSTALLATION

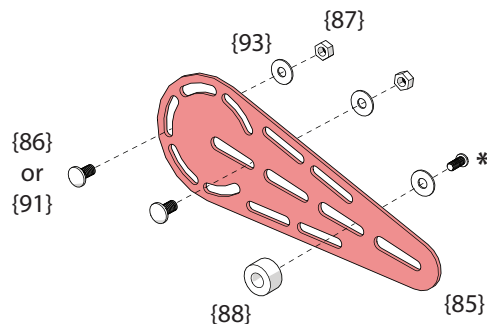
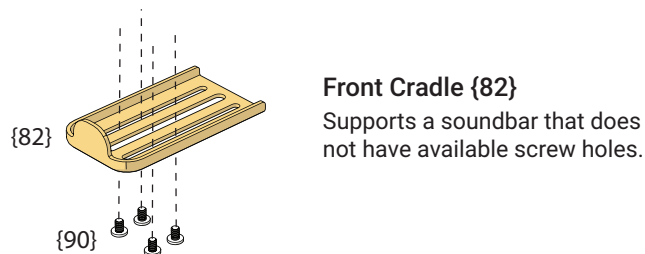
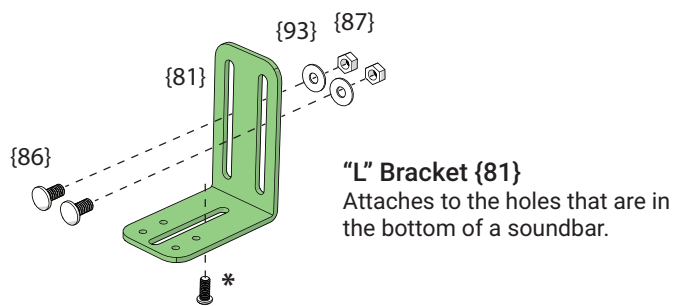
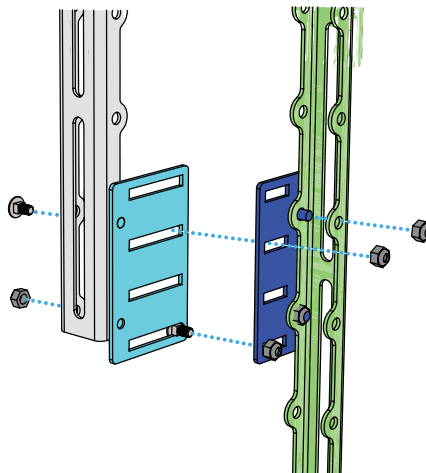
## 3 Review parts description:

These following images show all the parts included with this kit. Most installations will not use all these parts.



### Long and Short Depth Adjust

Change the Depth of the soundbar so the front can be flush with the TV and adjust tilt.



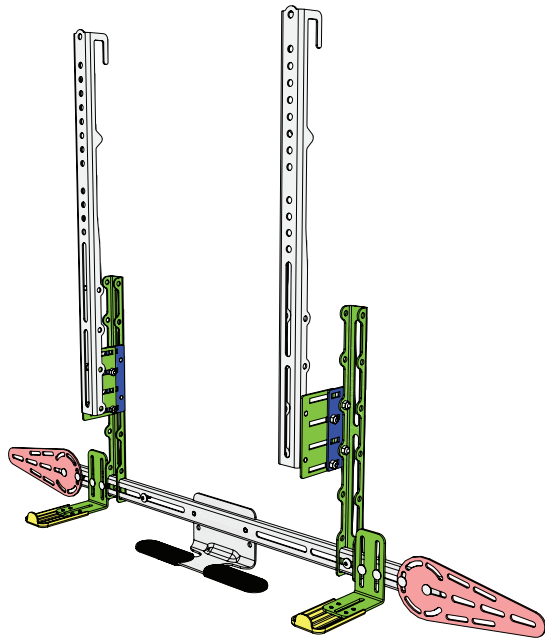
\* Use the hardware provided by your soundbar manufacturer to secure your soundbar to cradle or wings.

# BEFORE INSTALLATION

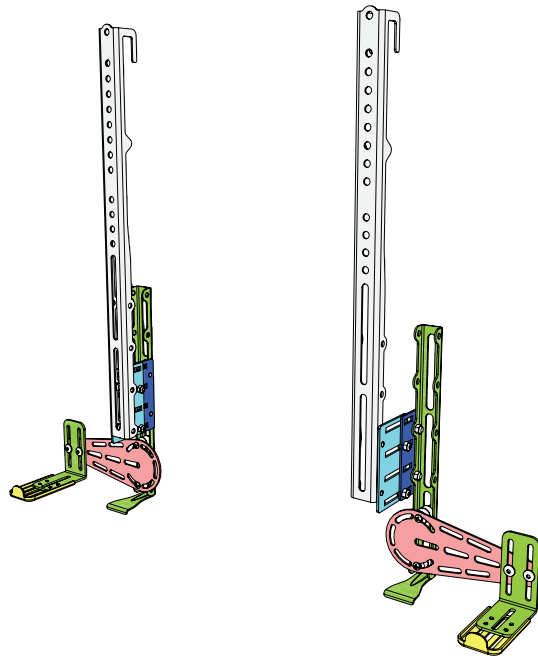
## 4 Confirm your MantelMount model.

If installing above a Mantel, add an additional 1.5 inches of clearance to the Minimum Height Chart measurement found in your MantelMount installation guide.

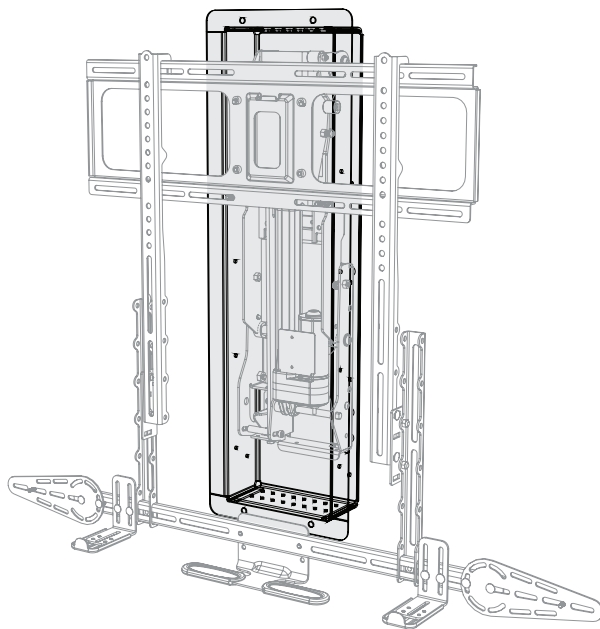
The SBK00 is designed to be used with all models of the MantelMount. Review the following images and choose your setup for the correct installation configuration diagram.



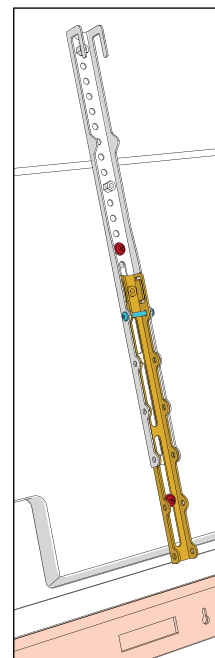
Configuration for most MantelMount Models



Configuration for MM340. See page 9



Configuration for Recess Box. See page 10-11

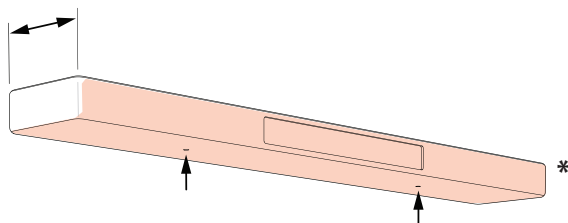


Does your TV need a TV Brace Extender? See page 6

# BEFORE INSTALLATION

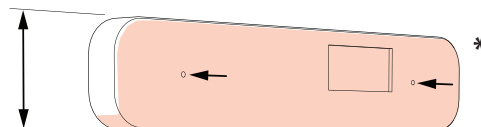
## 5 Determine your Soundbar requirements

The SBK00 was engineered to be used with various makes and models of soundbar. The following information will help you determine which configuration will work best for your soundbar mounting situation.



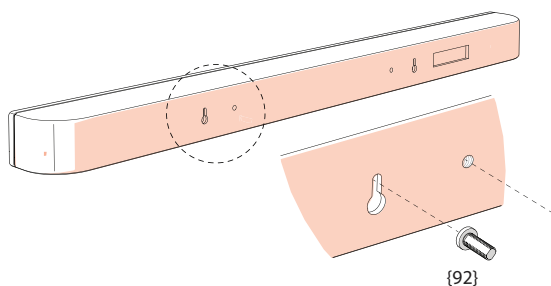
### Soundbar with Holes on the Bottom

For a soundbar that is flat and deep, with holes in the bottom. This soundbar will require the L-Brackets and possibly the Cradles.



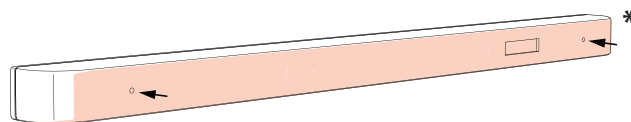
### Soundbar with Holes on the Back

For a soundbar that is tall and shallow, with holes in the back. This soundbar might require the Soundbar Wings to get the correct height.



### Soundbar with Hanging Slots

For soundbars that use hanging slots instead of threaded inserts. The SBK00 supplies special screws {92} as shown. The flat surfaces on the threads allow the screw to be held with a wrench while a nut {87} secures the soundbar to the SBK00.



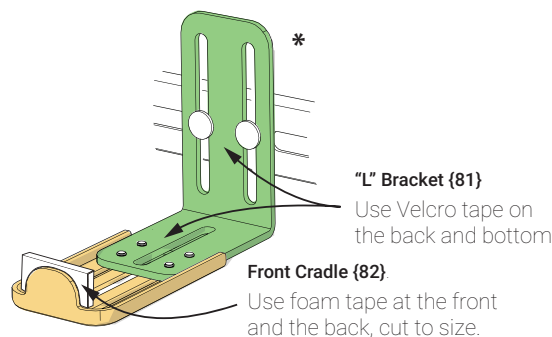
### For Wider Soundbars

For a soundbar with holes that are a very wide distance apart. This soundbar will require the Soundbar Wings.

**NOTE:** If the holes are wide and located in the bottom of the soundbar, the L-Brackets can be mounted to the Soundbar Wings.

### For Soundbars with no Mounting Holes

A Soundbar that does not have any accessible holes can be supported with the front Cradles. Use the supplied Velcro tape at the back or bottom to secure the soundbar, and use the supplied foam tape at the front of the Cradle to squeeze the soundbar while you tighten the screws {90} and secure the Cradles.



\* Use the hardware provided by your soundbar manufacturer to secure your soundbar to cradle or wings.

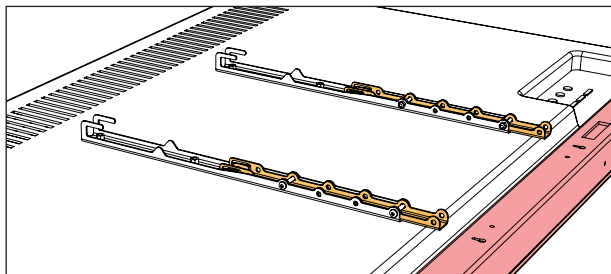
# SBK00 INSTALLATION

1

## Assembling with TV Brace Extenders

The Speaker Kit works with TVs that require the TV Brace Extender to reach the lower screws on the TV. If this is the case, then the Brace Extenders need to be inserted into the Vertical Braces the opposite as stated in the Manual for the MantelMount. A washer will have to be installed between the extender and TV to fill the gap.

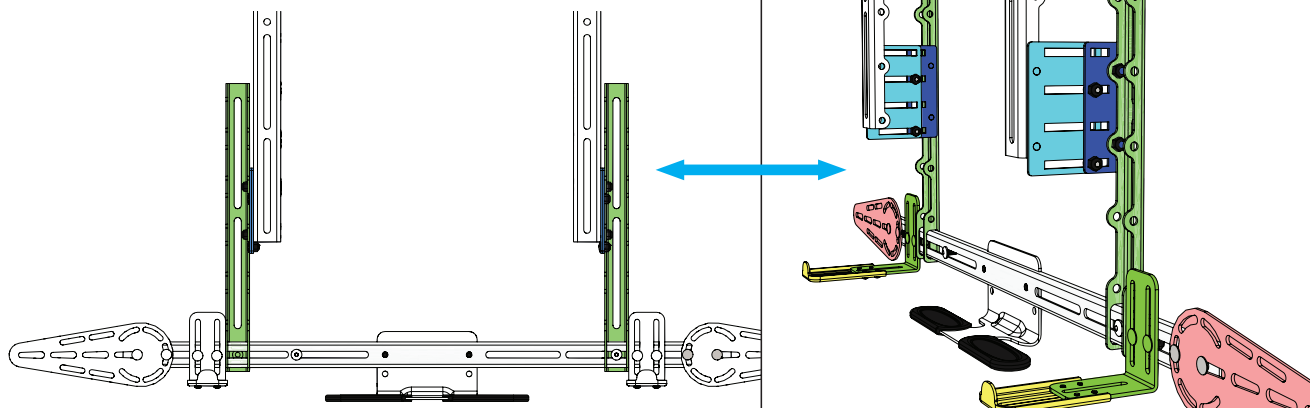
Long or Short Adjust Bracket can be attached to the Brace Extender or through both Vertical Brace and Brace Extender.



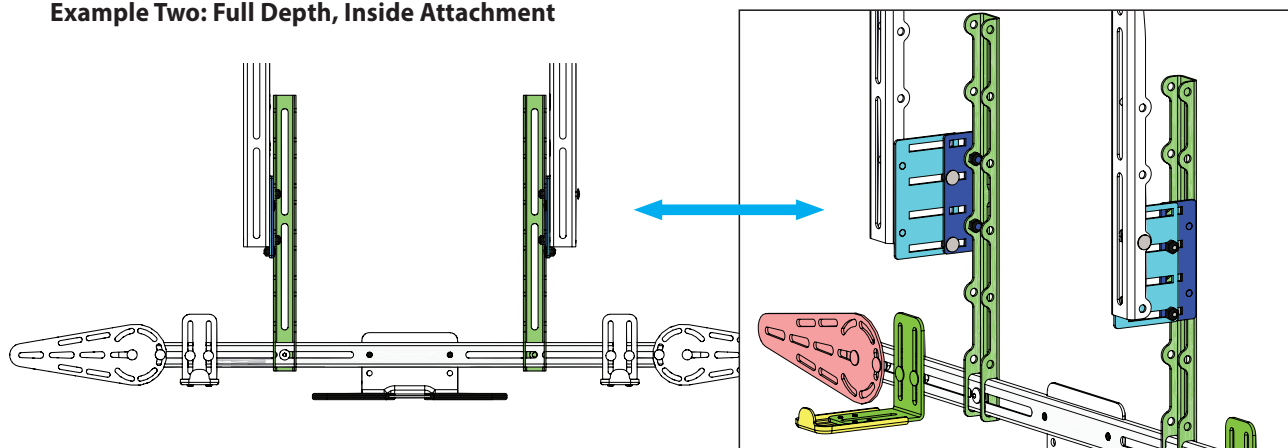
## Depth Adjust Placement

The Depth Adjust Parts Can be attached in various configurations to avoid speaker attachment points and to get the best speaker and handle height. Shown below are two examples:

### Example One: Full Depth, Outside Attachment



### Example Two: Full Depth, Inside Attachment



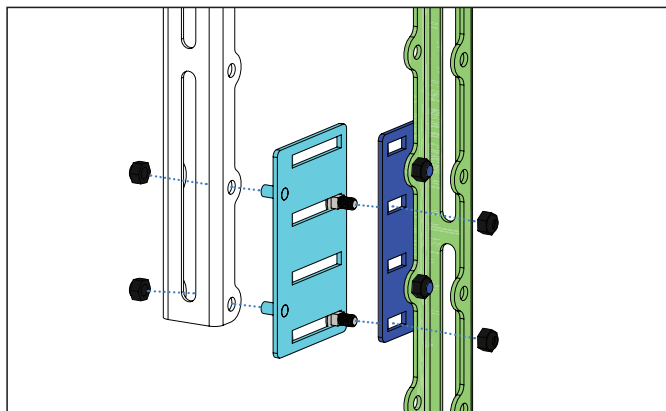
# SBK00 INSTALLATION

## 2

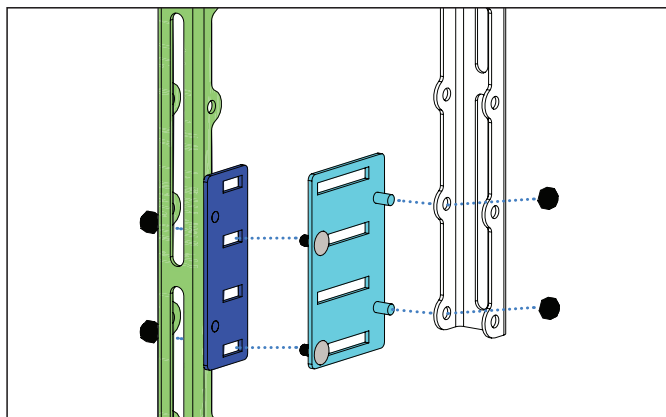
### Depth Adjust Assembly

The soundbar bracket can be installed on the back of the TV before hanging on the mount, or after the TV has been hung on the mount.

#### Front View

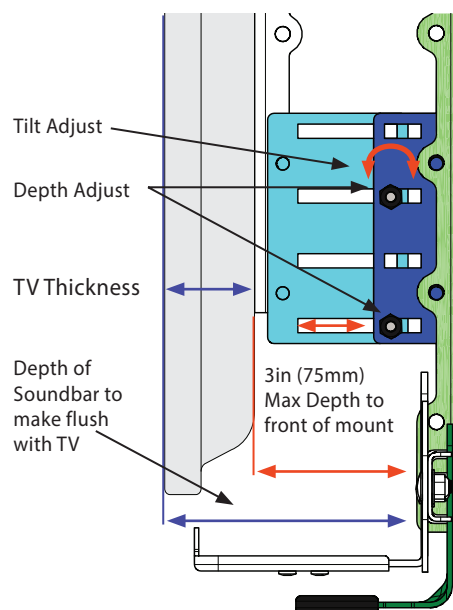
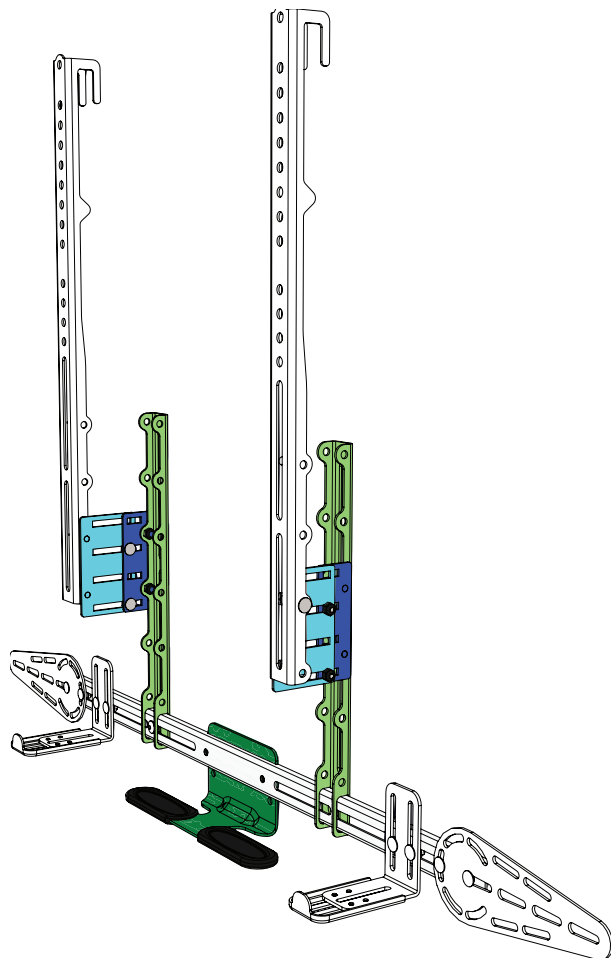


#### Back View



1. Attach Long Depth Adjust (light blue) to Vertical Brace
2. Attach Short Depth Adjust (blue) to TV Brace Extender
3. Connect the 2 with the M6 Carriage Bolt and Nut
4. The Tilt and depth can be adjusted by sliding the short depth adjust on the long depth adjust and tightening the carriage bolts.

The Maximum Depth to make the soundbar flush with the front of the TV depends on the Thickness of the TV.

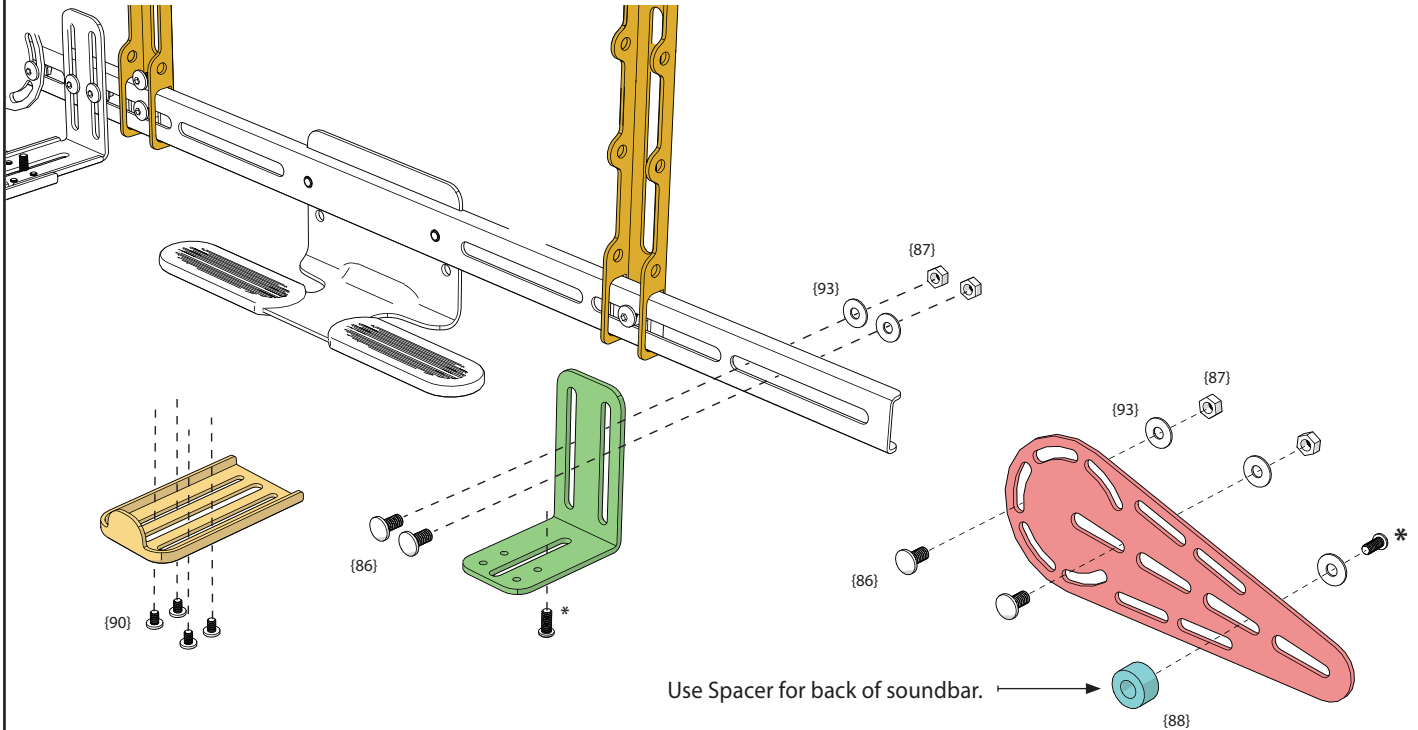


# SBK00 INSTALLATION

3

## Assembling Soundbar Attachments

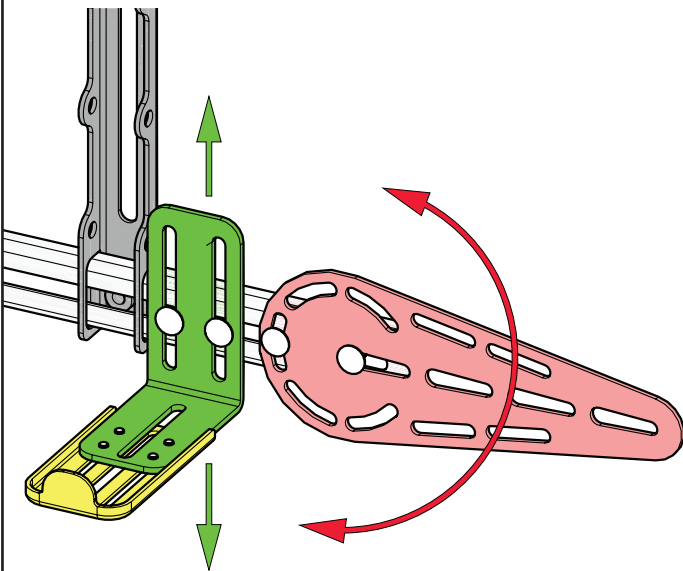
Reference Page 5 to determine which method works best for you to attach the Soundbar.



\* Use the hardware provided by your soundbar manufacturer to secure your soundbar to cradle or wings.

4

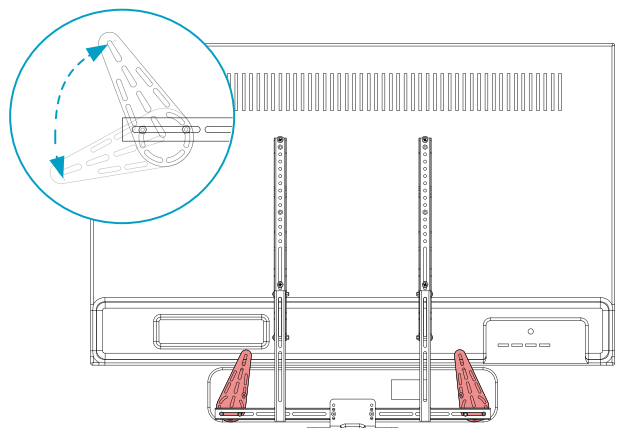
## Height Adjustment



5

## Soundbar Wings

**Optional Mounting: Tall Soundbar** Note in this image that the Soundbar Wings are rotated upward and attached to the holes in a tall soundbar in order to allow the MantelMount Handle to reach down below the soundbar.



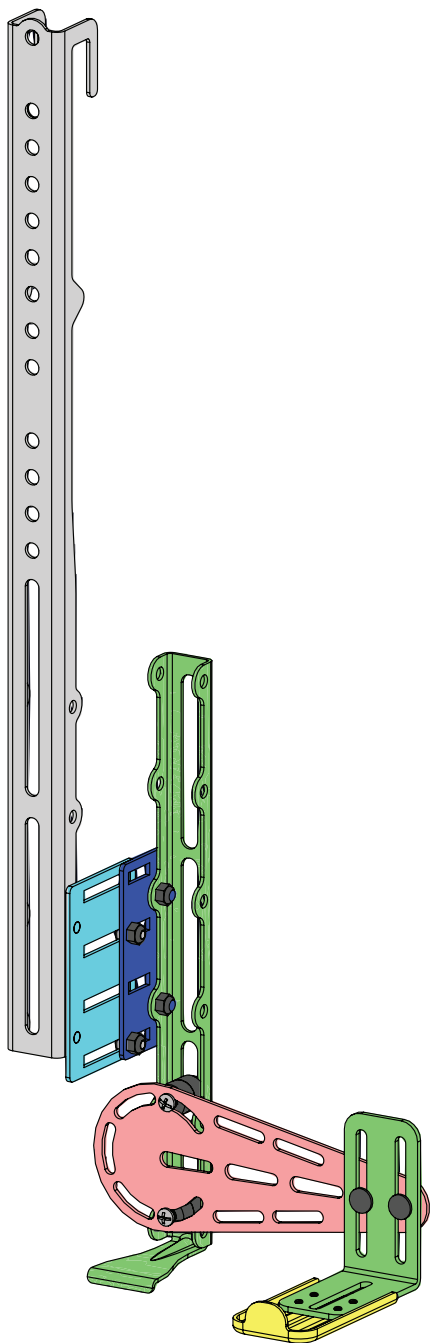


# SBK00 INSTALLATION

## 6 MM340 Only

Determine which method you wish to use to attach the soundbar: Soundbar Wings, the L-Brackets, or the Cradles. The cradles do not need to be attached at this time.

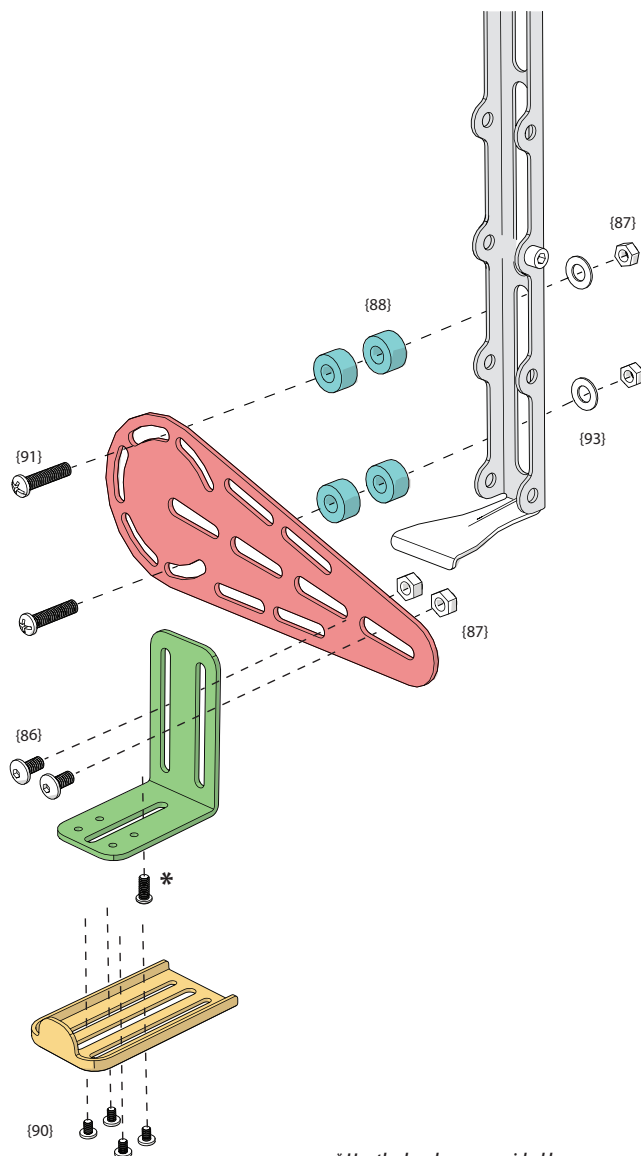
MM340 does not have a Horizontal Brace so the Soundbar Wings are used instead to provide some width and also a mounting platform for the L-Brackets. All other mounts have a Horizontal Brace for mounting.



## 7 MM340 Only

MM340 requires Spacers {88} and longer Screws {91} when mounting the Soundbar Wings to the Handles.

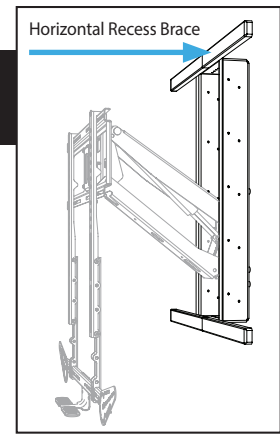
The L-Brackets are only used for holes in the bottom of the soundbar, or to install the Cradles for a soundbar without accessible holes. Otherwise, the soundbar can be attached directly to the Soundbar Wings.



*\* Use the hardware provided by your soundbar manufacturer to secure your soundbar to cradle or wings.*

# SBK00 RECESS BOX INSTALLATION

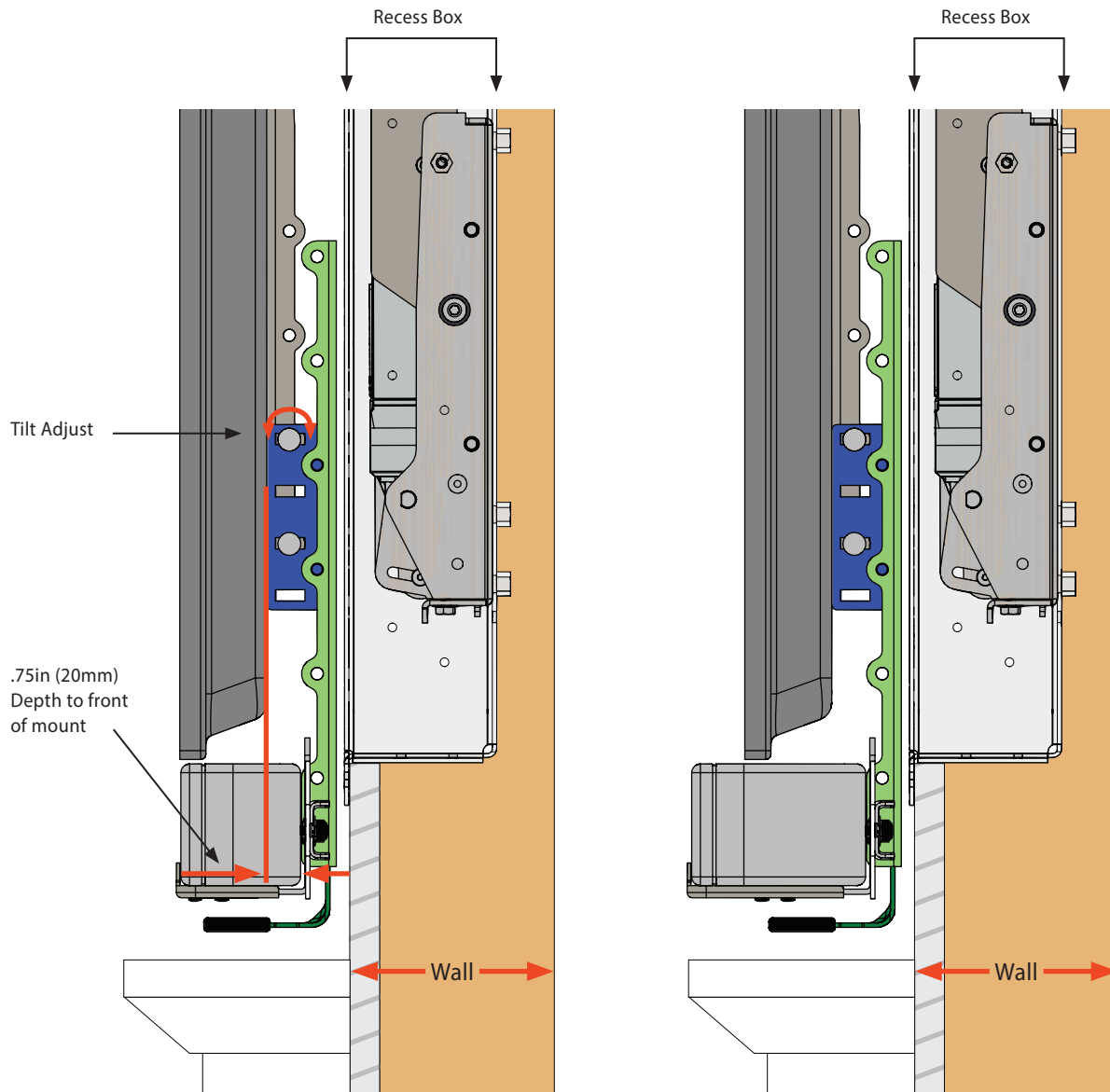
Since the recess box is closer to the wall, the Long Depth Support can NOT be used with a recess box. Only the Short Depth support is used. If using the Horizontal Recess Brace with the Recess Box, the SBK00 Soundbar Kit will not work.



## 8 Recess Box Adjustments

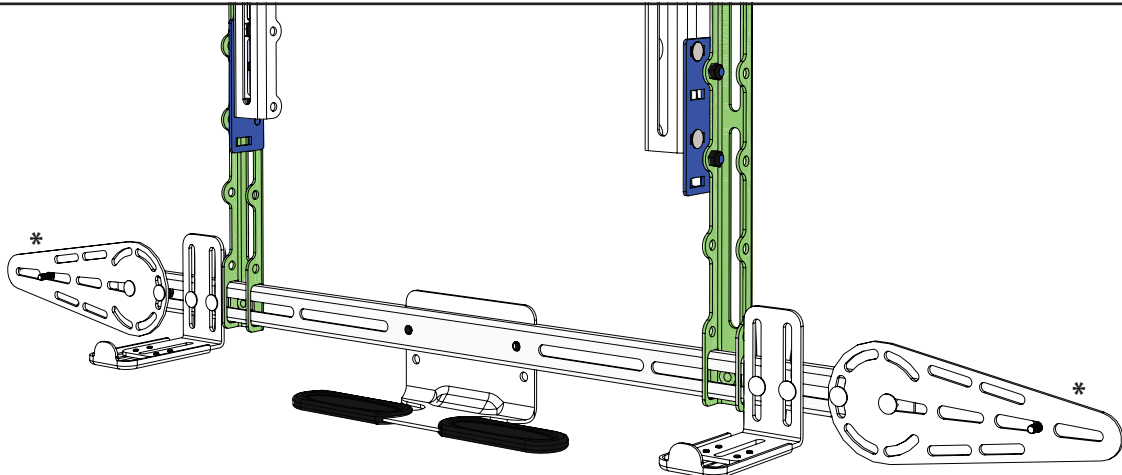
**Recess Box Assembly** Since the recess box is closer to the wall, the Long Depth Support can NOT be used with a recess box. Only the Short Depth support is used.

Depending on the thickness of the TV and depth of the soundbar, the 2 may not be flush. But you will still get an extra .75" (20mm) of soundbar depth and tilt adjust.



# SBK00 RECESS BOX INSTALLATION

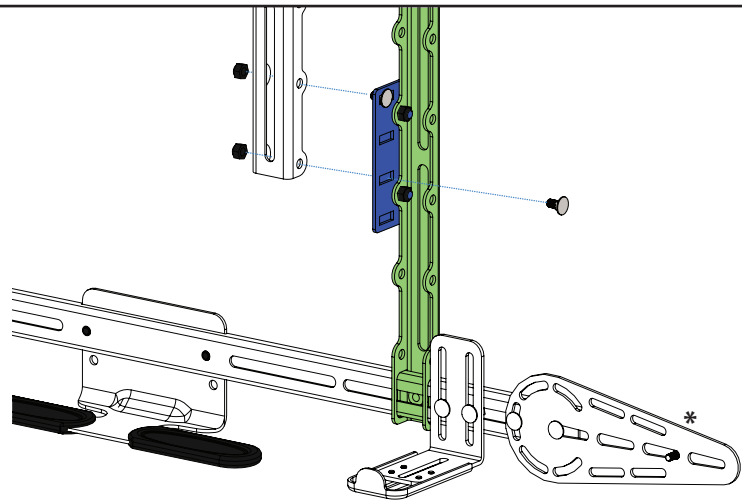
9



\* Use the hardware provided by your soundbar manufacturer to secure your soundbar to cradle or wings.

10

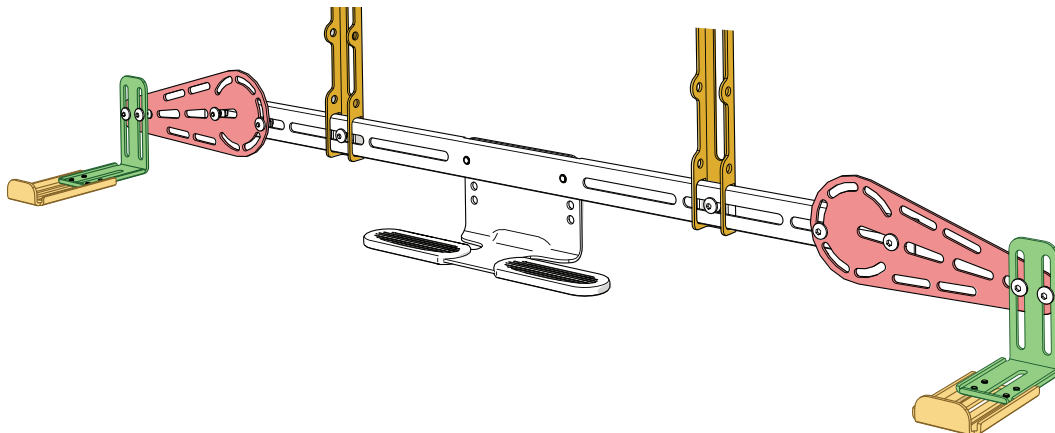
1. Attach Short Depth Adjust (blue) to TV Brace Extender
2. Connect to the Vertical Brace with the M6 Carriage Bolt and Nut The Tilt can be adjusted
3. Carriage Bolt and Nut The Tilt can be adjusted



## OPTIONAL SOUNDBAR MOUNTING

### For a Wider Soundbar

Note in this image that the L-Brackets are mounted to the Soundbar Wings to obtain the maximum width to reach holes on the bottom of a soundbar that are very far apart, or to use the Cradles instead of screw holes.





For missing/damaged parts or questions during installation,  
please contact our Customer Support team at **1.800.897.9755 ext.1**  
or **support@mantelmount.com**. Customer satisfaction is our highest priority!

Learn more about our patented MantelMount products at: [mantelmount.com/pages/patents](https://www.mantelmount.com/pages/patents)

MAILING ADDRESS: 2647 Gateway Road Ste. 105-435 Carlsbad, CA 92009  
**mantelmount.com**

© 2023 MANEHU PRODUCT ALLIANCE, LLC

SBK00 REV. 02-23