

# 4K / 8MP Power Supply

## 12VDC 20 Amp

0E-1220A4K16

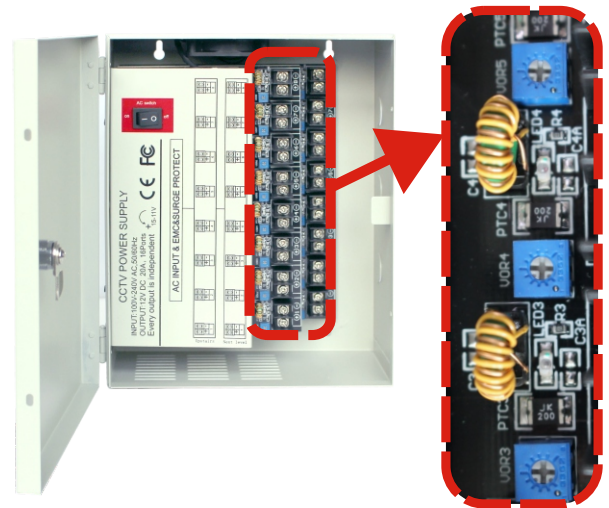
**UltraTech**  
POWER PRODUCTS

### PRODUCT DESCRIPTION

The 0E-1220A4K16 provides noise-free power for up to sixteen 4K/8MP video surveillance cameras. In addition to an advanced anti-interference design, this product features individually adjustable voltage knobs (11-14 VDC) for cameras positioned at different distances. Grounding isolation, individual Class 2 PTC fuses and 6kV surge protection help to safeguard essential equipment.

### FEATURES

- Connect up to 16 cameras
- Advanced noise-free design
- Individually adjustable voltage knobs (11-14 VDC)
- Class 2 PTC output protection
- 6kV surge protection for AC input
- Wall mountable
- LED indicators
- 24-Month Warranty



### SPECIFICATIONS

PART #	0E-1220A4K16
UPC	840049309944
INPUT VOLTAGE	100-240 VAC
INPUT CURRENT	4 Amp
OUTPUT VOLTAGE	12VDC
OUTPUT CURRENT	20 Amp
OUTPUT PER CHANNEL	1.25 Amp
MAX CURRENT FOR CLASS 2 PTC FUSE	2 Amp
DIMENSIONS (L x W x H)	9.8" x 8" x 3.9" (250 x 204 x 100mm)
WEIGHT	6.0 lbs. (2.72kg)



# Bloc d'alimentation 4K /8 MPx 12 VCC, 20 A

0E-1220A4K16

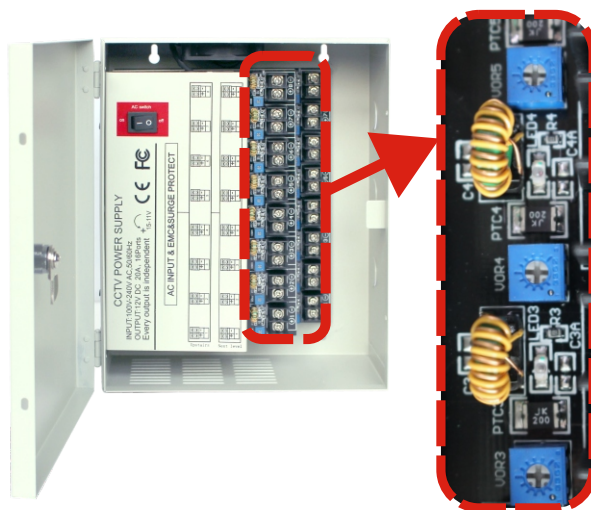
**UltraTech**  
POWER PRODUCTS

## DESCRIPTION DU PRODUIT

Le 0E-1220A4K16 offre une alimentation sans bruit pour seize caméras de surveillance 4K/8 Mpx au maximum. En plus de sa conception anti-interférence, ce produit compte des boutons sélecteurs de tension ajustables individuellement qui permettent aux installateurs de choisir la tension optimale (11 à 14 VCC) pour les caméras placées à des distances différentes. L'isolement mis à la terre, les fusibles individuels PTC classe 2 et la protection contre les surtensions de 6 kV contribuent à protéger l'équipement essentiel.

## CARACTÉRISTIQUES

- Raccordez jusqu'à 16 caméras
- Conception sans bruit perfectionnée
- Boutons sélecteurs de tension ajustables individuellement (11 à 14 VCC)
- Protection de sortie PTC classe 2
- Protection contre les surtensions de 6 kV pour entrée CA
- Montage mural possible
- Témoins DEL
- Garantie de 24 mois



## SPÉCIFICATIONS

No de PIÈCE	0E-1220A4K16
UPC	840049309944
TENSION D'ENTRÉE	100 à 240 VCA
COURANT D'ENTRÉE	4 A
TENSION DE SORTIE	12 VCC
COURANT DE SORTIE	20 A
COURANT DE SORTIE PAR CANAL	1,25 A
COURANT MAXIMAL POUR FUSIBLE PTC CLASSE 2	2 A
DIMENSIONS (L x l x H)	9,8 po x 8 po x 3,9 po (250 x 204 x 100 mm)
POIDS	6 lb (2,72 kg)

**UL** US LISTED  
E474459

**RoHS**  
COMPLIANT

# 4K / 8MP Power Supply

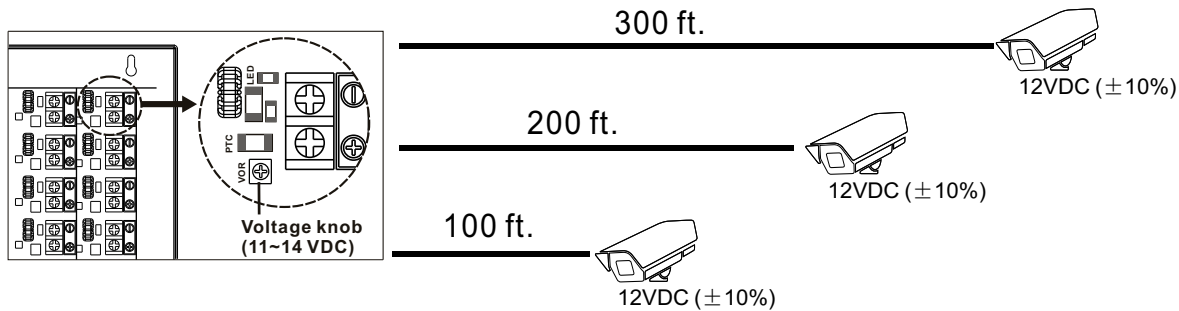
## 12VDC 20 Amp



0E-1220A4K16

### SPECIAL FEATURES

Optimal Power Supply for CCTV Cameras: Solving the DC Voltage Drop Problem



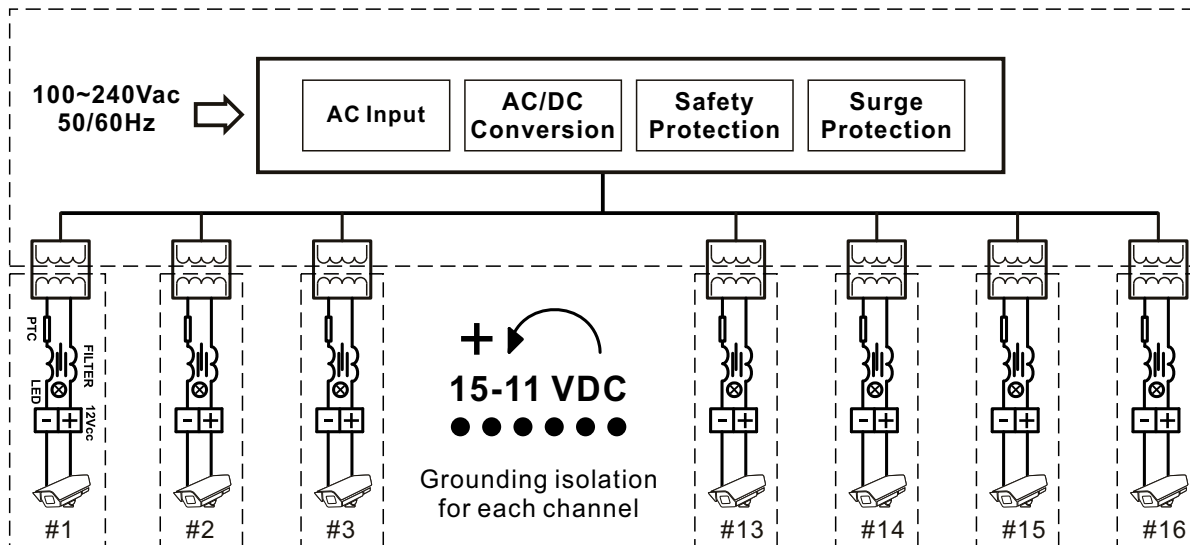
Achieving Noise-Free Design for Optimal 4K/8MP Resolution

Normal DC Power Box (poor image with noise)

4K/8M DC Power Box (noise-free image)



Designed with grounding isolation for each output, this power supply delivers enhanced safety, reduced electrical interference and improved overall system performance.



# 4K / 8MP Power Supply

## 12VDC 20 Amp

0E-1220A4K16



### ADDITIONAL SPECIFICATIONS

	Item	Description
Input	Input Voltage	100–240 VAC
	Input Voltage Frequency	50/60Hz
	Input Current	4A
Output	Output Voltage	12VDC±5%
	Output Current	20A, 16 channels for 16 sets load
	Output for Each Channel	1.25A
Fuse	Max Current for PTC Fuse	2A
Protection	Over Voltage Protection	When over voltage occurs, the power supply will switch to self-protection status to protect the load.
	Overcurrent Protection	When overcurrent occurs, the affected channel output will switch to self-protection status. The other outputs will continue to work normally. When the fault is cleared, the affected channel output switches back to normal.
	Surge Protection	6kV
Environment	Working Temperature	0°C~40°C (32°F~104°F)
	Storage Temperature	-40°C~70°C (-40°F~158°F)
	Humidity Non-Condensing	0~85%
Connection	Input	Three-pin socket
	Output	16 channels output
Mechanical	Dimensions L x W x H	9.8" x 8" x 3.9" 250 x 204 x 100mm
	Color	White
	Casing Material	Metal

### PHYSICAL INTERFACE

