

4K / 8MP Power Supply

12VDC 13 Amp

0E-1213A4K8

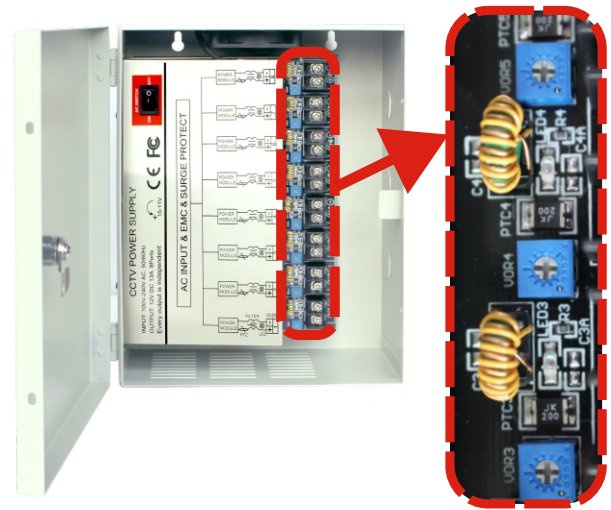
UltraTech
POWER PRODUCTS

PRODUCT DESCRIPTION

The 0E-1213A4K8 provides noise-free power for up to eight 4K/8MP video surveillance cameras. In addition to an advanced anti-interference design, this product features individually adjustable voltage knobs that allow installers to select the optimal voltage (11-14 VDC) for cameras positioned at different distances. Grounding isolation, individual Class 2 PTC fuses and 6kV surge protection help to safeguard essential equipment.

FEATURES

- Connect up to 8 cameras
- Advanced noise-free design
- Individually adjustable voltage knobs (11-14 VDC)
- Class 2 PTC output protection
- 6kV surge protection for AC input
- Wall mountable
- LED indicators
- 24-Month Warranty



SPECIFICATIONS

PART #	0E-1213A4K8
UPC	840049309937
INPUT VOLTAGE	100-240 VAC
INPUT CURRENT	3 Amp
OUTPUT VOLTAGE	12VDC
OUTPUT CURRENT	13 Amp
OUTPUT PER CHANNEL	1.625 Amp
MAX CURRENT FOR CLASS 2 PTC FUSE	2 Amp
DIMENSIONS (L x W x H)	9.8" x 8" x 2.4" (250 x 204 x 61mm)
WEIGHT	4.19 lbs. (1.9kg)

UL US LISTED
E474459

RoHS
COMPLIANT

FOR MORE INFORMATION, CONTACT YOUR ADI SALES PERSON.

TECH SUPPORT: 1.833.574.9124

Bloc d'alimentation 4K /8 MPx 12 VCC, 13 A

0E-1213A4K8

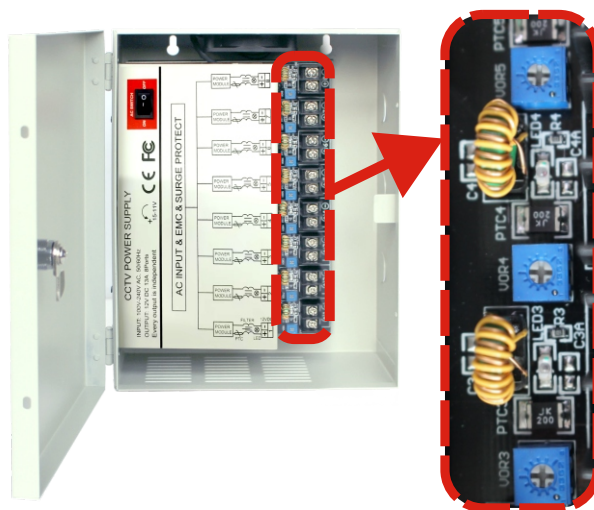
UltraTech
POWER PRODUCTS

DESCRIPTION DU PRODUIT

Le 0E-1213A4K8 offre une alimentation sans bruit pour huit caméras de surveillance 4K/8 Mpx au maximum. En plus de sa conception anti-interférence, ce produit compte des boutons sélecteurs de tension ajustables individuellement qui permettent aux installateurs de choisir la tension optimale (11 à 14 VCC) pour les caméras placées à des distances différentes. L'isolement mis à la terre, les fusibles individuels PTC classe 2 et la protection contre les surtensions de 6 kV contribuent à protéger l'équipement essentiel.

CARACTÉRISTIQUES

- Raccordez jusqu'à 8 caméras
- Conception sans bruit perfectionnée
- Boutons sélecteurs de tension ajustables individuellement (11 à 14 VCC)
- Protection de sortie PTC classe 2
- Protection contre les surtensions de 6 kV pour entrée CA
- Montage mural possible
- Témoins DEL
- Garantie de 24 mois



SPÉCIFICATIONS

No de PIÈCE	0E-1213A4K8
UPC	840049309937
TENSION D'ENTRÉE	100 à 240 VCA
COURANT D'ENTRÉE	3 A
TENSION DE SORTIE	12 VCC
COURANT DE SORTIE	13 A
COURANT DE SORTIE PAR CANAL	1,625 A
COURANT MAXIMAL POUR FUSIBLE PTC CLASSE 2	2 A
DIMENSIONS (L x l x H)	9,8 po x 8 po x 2,4 po (250 x 204 x 61 mm)
POIDS	4,19 lb (1,9 kg)

UL US LISTED
E474459

RoHS
COMPLIANT

4K / 8MP Power Supply

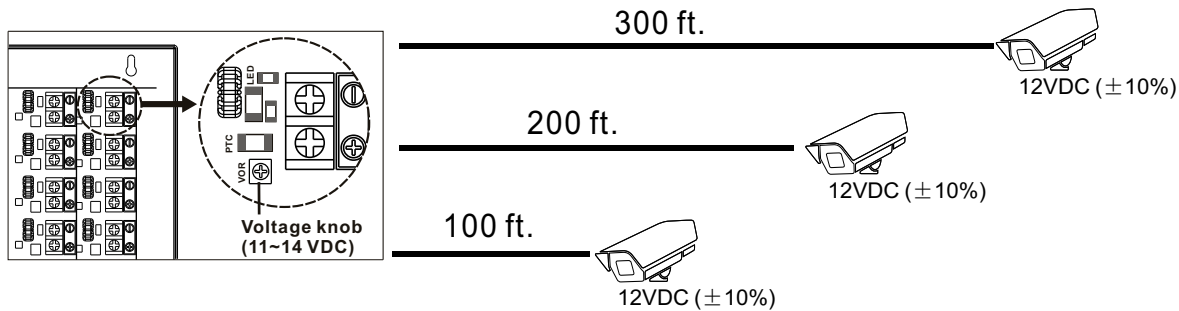
12VDC 13 Amp



0E-1213A4K8

SPECIAL FEATURES

Optimal Power Supply for CCTV Cameras: Solving the DC Voltage Drop Problem



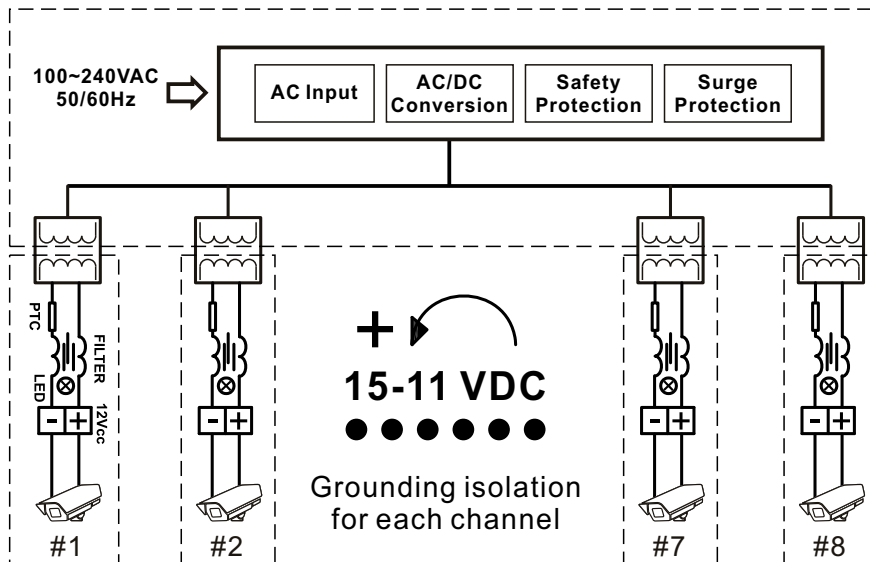
Achieving Noise-Free Design for Optimal 4K/8MP Resolution

Normal DC Power Box (poor image with noise)

4K/8M DC Power Box (noise-free image)



Designed with grounding isolation for each output, this power supply delivers enhanced safety, reduced electrical interference and improved overall system performance.



4K / 8MP Power Supply

12VDC 13 Amp

0E-1213A4K8



ADDITIONAL SPECIFICATIONS

	Item	Description
Input	Input Voltage	100–240 VAC
	Input Voltage Frequency	50/60Hz
	Input Current	3A
Output	Output Voltage	12VDC±5%
	Output Current	13A, 8 channels for 8 sets load
	Output for Each Channel	1.625A
Fuse	Max Current for PTC Fuse	2A
Protection	Over Voltage Protection	When over voltage occurs, the power supply will switch to self-protection status to protect the load.
	Overcurrent Protection	When overcurrent occurs, the affected channel output will switch to self-protection status. The other outputs will continue to work normally. When the fault is cleared, the affected channel output switches back to normal.
	Surge Protection	6kV
Environment	Working Temperature	0°C~40°C (32°F~104°F)
	Storage Temperature	-40°C~70°C (-40°F~158°F)
	Humidity Non-Condensing	0~85%
Connection	Input	Three-pin socket
	Output	8 channels output
Mechanical	Dimensions L x W x H	9.8" x 8" x 2.4" 250 x 204 x 61mm
	Color	White
	Casing Material	Metal

PHYSICAL INTERFACE

