



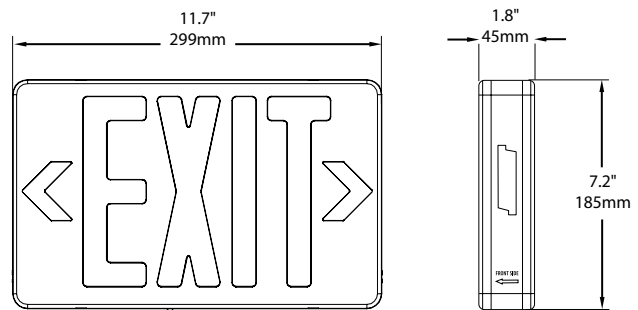
Features

Input Power on AC (when charging)	5.3/6W
Input Power on AC (when fully charged)	1W
Output Power on Battery	1W
Lamp Type	Straw LED
Input Voltage	120/277 VAC
Frequency	60 Hz
Battery Type	Ni-cd
Working Time	90 Minutes
Charging Time	24 Hours

Description

- Injection-molded thermoplastic ABS housing
- UL-94V-0 flame rating, fire-retardant
- 2-Sided sign
- Wall, side and ceiling mountable
- Input Voltage: 120/277VAC 60Hz
- Super bright SMD LED
- Nickel Cadmium Battery, 1.2V 800mAh
- Test switch and charge indicator light
- Overcharge & Over-discharge protection
- Backup time: ≥ 90 minutes
- Conversion time: < 0.2 second
- IP Class: IP20
- Operating Temperature: 5 °C ~ 35 °C / 41 °F ~ 86 °F
- Removable Chevrons
- Also available in Green (EL-7007GX)

Technical Drawing



Ordering Information

Model	Description
EL-7007RX	LED Emergency Exit Sign - Red
EL-7007GX	LED Emergency Exit Sign - Green

Canada
 25 Interchange Way Vaughan, ON L4K 5W3
 Telephone: (905) 660-4655 | Fax: (905) 660-4113

U.S.A.
 4575 Witmer Industrial Estates Niagara Falls, NY 14305
 Toll Free: (888) 660-4655 | Fax Toll Free: (888) 660-4113

www.mircom.com



THIS INFORMATION IS FOR MARKETING PURPOSES ONLY AND NOT INTENDED TO DESCRIBE THE PRODUCTS TECHNICALLY.

For complete and accurate technical information relating to performance, installation, testing and certification, refer to technical literature. This document contains intellectual property of Mircom. The information is subject to change by Mircom without notice. Mircom does not represent or warrant correctness or completeness. All rights reserved. All other trademarks and registered trademarks are properties of their respective owners.