



# LED EMERGENCY LIGHTING





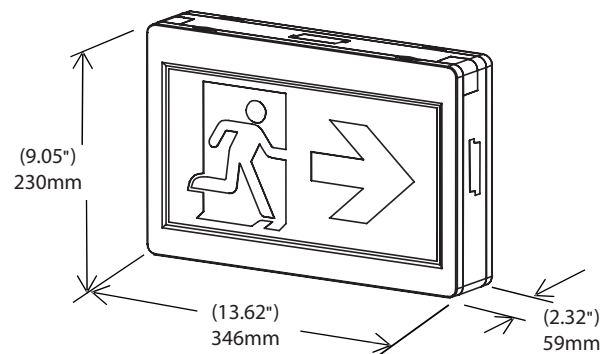
**Features**

Input Power on AC (when charging)	6W
Output Power on Battery	1.5W
Input Voltage	120/347 VAC
Frequency	60 Hz
LED Type	SMD LED
Battery Type	Ni-Cd
Working Time	120 Minutes
Charging Time	15-24 Hours

**Description**

- Injection-molded thermoplastic ABS housing
- UL-94V-0 flame rating, fire-retardant
- 2-sided sign
- Wall, side and ceiling mountable
- Input Power on AC is 1W when fully charged
- Input Voltage: 120/347 VAC, 60Hz
- Super bright SMD LED strip
- Nickel Cadmium Battery 3.6V 1000mAh
- Test switch and charge indicator light
- Overcharge & Over-discharge protection
- Backup time: ≥120 minutes
- Conversion time: <0.2 second
- IP Class: IP20
- Insulation: II
- Operating Temperature: 0 °C ~ 40 °C / 32 °F ~104 °F

**Technical Drawing**



**Included Pictograms**



With Arrow 2 pcs



Without Arrow 1 pc

**Ordering Information**

Model	Description
ELRM-100	LED Running Man Sign



**Canada**  
 25 Interchange Way Vaughan, ON L4K 5W3  
 Telephone: (905) 660-4655 | Fax: (905) 660-4113

**U.S.A.**  
 4575 Witmer Industrial Estates Niagara Falls, NY 14305  
 Toll Free: (888) 660-4655 | Fax Toll Free: (888) 660-4113



**THIS INFORMATION IS FOR MARKETING PURPOSES ONLY AND NOT INTENDED TO DESCRIBE THE PRODUCTS TECHNICALLY.**

For complete and accurate technical information relating to performance, installation, testing and certification, refer to technical literature. This document contains intellectual property of Mircom. The information is subject to change by Mircom without notice. Mircom does not represent or warrant correctness or completeness. All rights reserved. All other trademarks and registered trademarks are properties of their respective owners.



### Features

Input Power on AC	3-4W
Output Power on Battery	1W
Lamp Type	LED strip
Input Voltage	120-347 VAC
Frequency	50/60 Hz
Battery Type	NI-Cd
Working Time	180 Minutes
Charging Time	24 Hours

### Description

- Durable 20 gauge steel housing
- 2-sided sign
- Wall, side and ceiling mountable
- Input Voltage: 120 - 347VAC 50/60Hz
- LED technology
- 3.6V 1000mAh Nickel Cadmium battery
- Test switch and charge indicator light
- Overcharge & Over-discharge protection
- Backup time: 180 minutes
- Suitable for damp locations
- Operating Temperature: 5 °C ~ 30 °C / 41 °F ~ 86 °F

### Technical Drawing



### Included Pictograms



With Arrow 2 pcs



Without Arrow 1 pc

### Ordering Information

Model	Description
ELRM-100S	Steel LED Running Man Sign with Battery Backup



**Canada**  
25 Interchange Way Vaughan, ON L4K 5W3  
Telephone: (905) 660-4655 | Fax: (905) 660-4113

**U.S.A.**  
4575 Witmer Industrial Estates Niagara Falls, NY 14305  
Toll Free: (888) 660-4655 | Fax Toll Free: (888) 660-4113



**THIS INFORMATION IS FOR MARKETING PURPOSES ONLY AND NOT INTENDED TO DESCRIBE THE PRODUCTS TECHNICALLY.**

For complete and accurate technical information relating to performance, installation, testing and certification, refer to technical literature. This document contains intellectual property of Mircom. The information is subject to change by Mircom without notice. Mircom does not represent or warrant correctness or completeness. All rights reserved. All other trademarks and registered trademarks are properties of their respective owners.



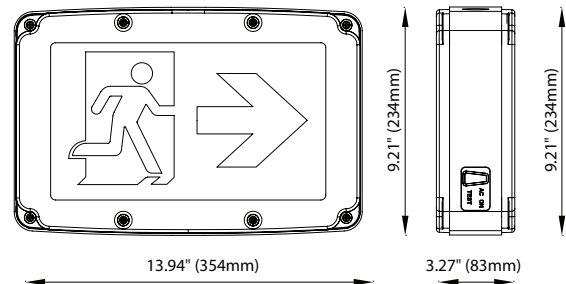
### Features

Input Power on AC	4.5W
Output Power on Battery	1W
Lamp Type	SMD LED strip
Input Voltage	120-347 VAC
Frequency	50/60 Hz
Battery Type	NI-MH
Working Time	120 Minutes
Charging Time	24 Hours

### Description

- Injection-molded thermoplastic ABS housing
- 2-sided sign
- Wall, side and ceiling mountable
- Input Voltage: 120 - 347VAC, 50/60Hz
- LED technology
- Nickel Metal Hydride Battery 3.6V 1500mAh
- Test switch and charge indicator light
- Overcharge & Over-discharge protection
- Backup time: 120 minutes
- Suitable for wet locations
- Operating Temperature: -20 °C ~ 40 °C / -4 °F ~ 104 °F

### Technical Drawing



### Included Pictograms



With Arrow 2 pcs



Without Arrow 1 pc

### Ordering Information

Model	Description
ELRM-100WP	Compact LED Wet Location Running Man Sign



#### Canada

25 Interchange Way Vaughan, ON L4K 5W3  
Telephone: (905) 660-4655 | Fax: (905) 660-4113

#### U.S.A.

4575 Witmer Industrial Estates Niagara Falls, NY 14305  
Toll Free: (888) 660-4655 | Fax Toll Free: (888) 660-4113



**THIS INFORMATION IS FOR MARKETING PURPOSES ONLY AND NOT INTENDED TO DESCRIBE THE PRODUCTS TECHNICALLY.**

For complete and accurate technical information relating to performance, installation, testing and certification, refer to technical literature. This document contains intellectual property of Mircom. The information is subject to change by Mircom without notice. Mircom does not represent or warrant correctness or completeness. All rights reserved. All other trademarks and registered trademarks are properties of their respective owners.



**Features**

Input Power on AC	3-4W
Output Power on Battery	1W
Lamp Type	LED
Input Voltage	120-347 VAC
Frequency	50/60 Hz
LED Type	LED Strip
Battery Type	Ni-cd
Working Time	180 Minutes
Charging Time	24 hours

**Description**

- Durable aluminum housing
- 2-sided sign
- Wall and ceiling mountable
- Input Voltage: 120 - 347VAC 50/60Hz
- LED technology
- 3.6 V 1000mAh Nickel Cadmium Battery
- Test switch and charge indicator light
- Overcharge & Over-discharge protection
- Backup time: 180 minutes
- Suitable for damp locations
- Operating Temperature: 5 °C ~ 30 °C / 41 °F ~ 86 °F

**Included Pictograms**

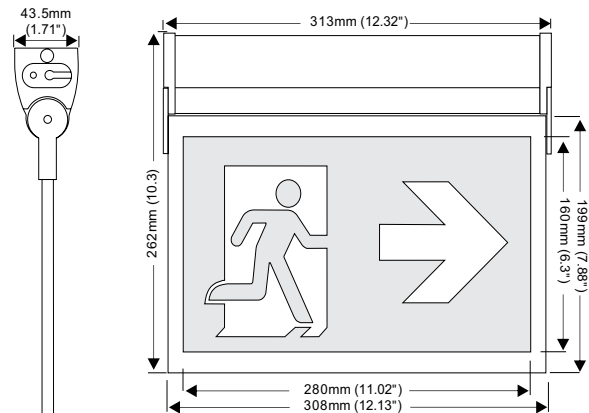


With Arrow 2pc



Without Arrow 1 pc

**Technical Drawing**



**Ordering Information**

Model	Description
EL-7008MA	Aluminum LED Edge-Lit Running Man Sign



**Canada**  
 25 Interchange Way Vaughan, ON L4K 5W3  
 Telephone: (905) 660-4655 | Fax: (905) 660-4113

**U.S.A.**  
 4575 Witmer Industrial Estates Niagara Falls, NY 14305  
 Toll Free: (888) 660-4655 | Fax Toll Free: (888) 660-4113



**THIS INFORMATION IS FOR MARKETING PURPOSES ONLY AND NOT INTENDED TO DESCRIBE THE PRODUCTS TECHNICALLY.**

For complete and accurate technical information relating to performance, installation, testing and certification, refer to technical literature. This document contains intellectual property of Mircom. The information is subject to change by Mircom without notice. Mircom does not represent or warrant correctness or completeness. All rights reserved. All other trademarks and registered trademarks are properties of their respective owners.



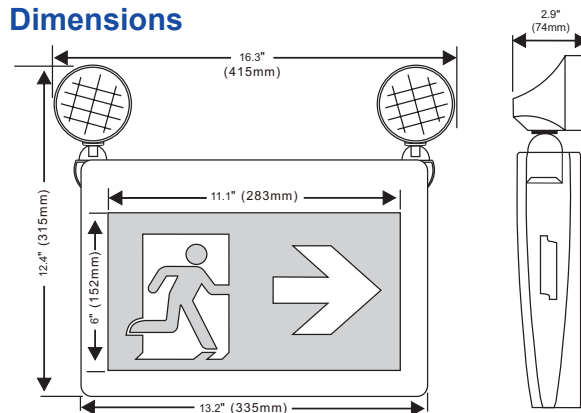
### Description

- Injection-molded thermoplastic ABS housing
- UL-94V-0 flame rating, fire-retardant
- Wall and side mounting
- Input power on AC is 1W when fully charged
- Input Voltage: 120-347 VAC 50/60Hz
- Super bright SMD LED 2x2W, 160 lumens each
- Nickel Cadmium 3.6Volt, 1800mAh Battery
- Test switch and charge indicator light
- Overcharge & Over-discharge protection
- Backup time: ≥120 minutes
- Conversion time: <0.2 second
- IP Class: IP20, suitable for damp locations
- Operating Temperature: 5 °C ~ 30 °C / 41 °F ~ 86 °F
- One-sided sign with 3 pictogram inserts

### Features

Input Power on AC (when charging)	3.5 - 4.5W
Output power on battery	5W
Lamp Type	2x2W SMD LED
Input Voltage	120-347 VAC
Frequency	50/60 Hz
LED Type	SMD strip
Battery Type	Ni-cd
Working Time	120 Minutes
Charging Time	24 Hours

### Dimensions



Dimensions are approximate and subject to change.



Unit comes standard with three pictogram legends for direction selection.

### Ordering Information

Model	Description
ELRM-180	LED Running Man Combo

#### Canada

25 Interchange Way Vaughan, ON L4K 5W3  
Telephone: (905) 660-4655 | Fax: (905) 660-4113

#### U.S.A.

4575 Witmer Industrial Estates Niagara Falls, NY 14305  
Toll Free: (888) 660-4655 | Fax Toll Free: (888) 660-4113

www.mircom.com



**THIS INFORMATION IS FOR MARKETING PURPOSES ONLY AND NOT INTENDED TO DESCRIBE THE PRODUCTS TECHNICALLY.**

For complete and accurate technical information relating to performance, installation, testing and certification, refer to technical literature. This document contains intellectual property of Mircom. The information is subject to change by Mircom without notice. Mircom does not represent or warrant correctness or completeness.

CATALOG NUMBER **4134**





### Features

Input Power on AC (when charging)	6.5W
Output Power on Battery	3.5 W
Lamp Type	2x1W SMD LED
Input Voltage	120/347 VAC
Frequency	60 Hz
Battery Type	NI-MH
Working Time	120 Minutes
Charging Time	15-24 Hours

### Description

- Injection-molded thermoplastic ABS housing
- UL-94V-0 flame rating, fire-retardant
- 2-Sided sign
- Wall, side and ceiling mountable
- Input Power on AC is 1.5W when fully charged
- Input Voltage: 120/347 VAC, 60Hz
- Super bright LED light heads. 142 lumens each
- 2 Nickel Metal Hydride Batteries 3.6V 1200mAh
- Test switch and charge indicator light
- Overcharge & Over-discharge protection
- Backup time: ≥120 minutes including 3W remote capability
- Conversion time: <0.2 second
- IP Class: IP20
- Insulation: II, Range: 80m2 / 860sq.ft
- Operating Temperature: 0 °C ~ 40 °C / 32 °F ~104 °F

### Remote Add-ons

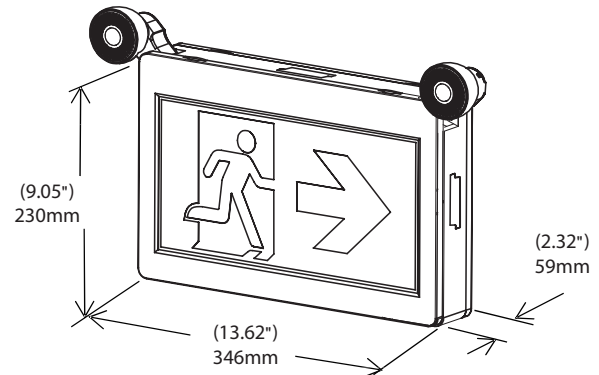


EL-7030A (1.5W)



EL-7030B (3W)

### Technical Drawing



### Included Pictograms



With Arrow 2 pcs



Without Arrow 1 pc



### Ordering Information

Model	Description
ELRM-180-2RC	LED Running Man Sign Combo Unit (3W, Remote Capable)

**Canada**  
 25 Interchange Way Vaughan, ON L4K 5W3  
 Telephone: (905) 660-4655 | Fax: (905) 660-4113

**U.S.A.**  
 4575 Witmer Industrial Estates Niagara Falls, NY 14305  
 Toll Free: (888) 660-4655 | Fax Toll Free: (888) 660-4113



**THIS INFORMATION IS FOR MARKETING PURPOSES ONLY AND NOT INTENDED TO DESCRIBE THE PRODUCTS TECHNICALLY.**

For complete and accurate technical information relating to performance, installation, testing and certification, refer to technical literature. This document contains intellectual property of Mircom. The information is subject to change by Mircom without notice. Mircom does not represent or warrant correctness or completeness. All rights reserved. All other trademarks and registered trademarks are properties of their respective owners.



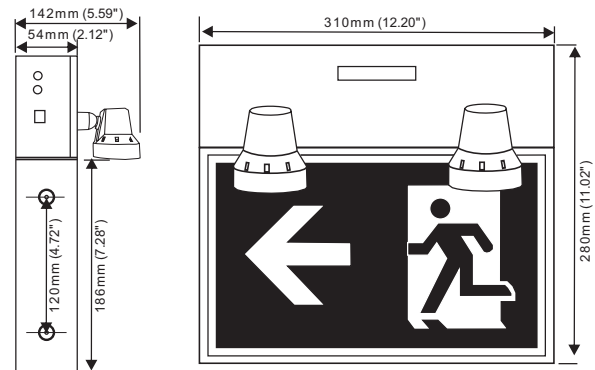
### Description

- Durable 20 gauge steel housing
- Wall, ceiling, and side mountable
- 1-sided sign (2-sided available)
- Input power on AC is 3.5W when fully charged
- Input Voltage: 120-347VAC, 50/60Hz
- Super bright LED heads, 160 lumens each
- 6V6Ah Sealed Lead Acid battery
- CSA Certified Backup time: 30 minutes at 36W
- 2W from sign, 4W from attached heads + up to additional 30W
- cULus Certified Backup time: 90 minutes at 12W
- 2W from sign, 4W from attached heads + up to additional 6W
- Test switch and charge indicator light
- Overcharge & Over-discharge protection
- Suitable for damp locations
- Operating Temperature: 5 °C ~ 30 °C / 41 °F ~ 86 °F

### Features

Input Power on AC (when charging)	3.5-7.5W
Output Power on battery	6W
Lamp Type	2x2W LED
Input Voltage	120-347 VAC
Frequency	50/60 Hz
LED Type (unit)	SMD LED Strip
Battery Type	Sealed Lead Acid
Working Time – CSA	30 Minutes at 36W
Working Time – cULus	90 Minutes at 12W
Charging Time	24 Hours

### Technical Drawing



### Remote Add-ons



EL-7030A (1.5W)



EL-7030B (3W)



### Ordering Information

Model	Description
ELRM-180-18RCS	Steel LED Running Man Sign Combo Unit (Remote Capable)

#### Canada

25 Interchange Way Vaughan, ON L4K 5W3  
Telephone: (905) 660-4655 | Fax: (905) 660-4113

#### U.S.A.

4575 Witmer Industrial Estates Niagara Falls, NY 14305  
Toll Free: (888) 660-4655 | Fax Toll Free: (888) 660-4113



**THIS INFORMATION IS FOR MARKETING PURPOSES ONLY AND NOT INTENDED TO DESCRIBE THE PRODUCTS TECHNICALLY.**

For complete and accurate technical information relating to performance, installation, testing and certification, refer to technical literature. This document contains intellectual property of Mircom. The information is subject to change by Mircom without notice. Mircom does not represent or warrant correctness or completeness. All rights reserved. All other trademarks and registered trademarks are properties of their respective owners.

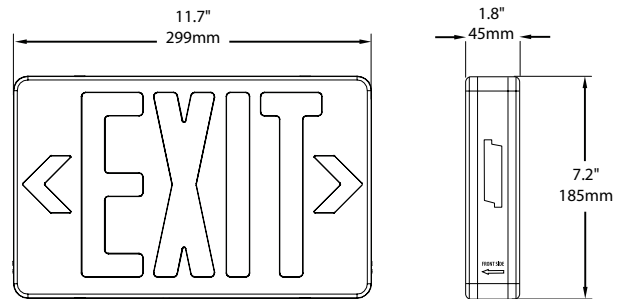



**Features**

Input Power on AC (when charging)	5.3/6W
Input Power on AC (when fully charged)	1W
Output Power on Battery	1W
Lamp Type	Straw LED
Input Voltage	120/277 VAC
Frequency	60 Hz
Battery Type	Ni-cd
Working Time	90 Minutes
Charging Time	24 Hours

**Description**

- Injection-molded thermoplastic ABS housing
- UL-94V-0 flame rating, fire-retardant
- 2-Sided sign
- Wall, side and ceiling mountable
- Input Voltage: 120/277VAC 60Hz
- Super bright SMD LED
- Nickel Cadmium Battery, 1.2V 800mAh
- Test switch and charge indicator light
- Overcharge & Over-discharge protection
- Backup time: ≥ 90 minutes
- Conversion time: < 0.2 second
- IP Class: IP20
- Operating Temperature: 5 °C ~ 35 °C / 41 °F ~ 86 °F
- Removable Chevrons
- Also available in Green (EL-7007GX)

**Technical Drawing**

**Ordering Information**

Model	Description
EL-7007RX	LED Emergency Exit Sign - Red
EL-7007GX	LED Emergency Exit Sign - Green

**Canada**  
25 Interchange Way Vaughan, ON L4K 5W3  
Telephone: (905) 660-4655 | Fax: (905) 660-4113

**U.S.A.**  
4575 Witmer Industrial Estates Niagara Falls, NY 14305  
Toll Free: (888) 660-4655 | Fax Toll Free: (888) 660-4113



**THIS INFORMATION IS FOR MARKETING PURPOSES ONLY AND NOT INTENDED TO DESCRIBE THE PRODUCTS TECHNICALLY.**

For complete and accurate technical information relating to performance, installation, testing and certification, refer to technical literature. This document contains intellectual property of Mircom. The information is subject to change by Mircom without notice. Mircom does not represent or warrant correctness or completeness. All rights reserved. All other trademarks and registered trademarks are properties of their respective owners.



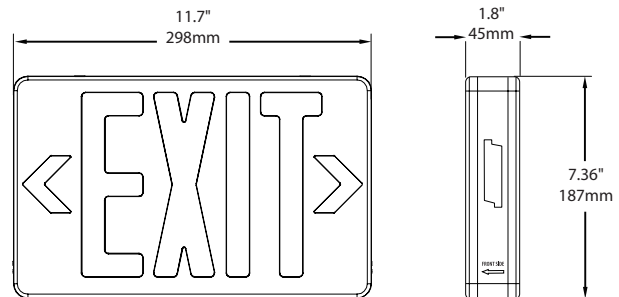
### Features

Input Power on AC	1W
Output Power on Battery	1W
Lamp Type	Straw LED
Input Voltage	220-240 VAC
Frequency	50 Hz
Battery Type	Ni-cd
Working Time	180 Minutes
Charging Time	24 Hours

### Description

- Injection-molded thermoplastic ABS housing
- UL-94V-0 flame rating, fire-retardant
- 1-Sided sign
- Wall, side and ceiling mountable
- Input Voltage: 220-240 VAC 50Hz
- Super bright SMD LED
- Nickel Cadmium Battery, 3.6V 600mAh
- Test switch and charge indicator light
- Overcharge & Over-discharge protection
- Backup time:  $\geq$  180 minutes
- Conversion time:  $<$  0.2 second
- IP Class: IP20
- Operating Temperature: 0 °C ~ 40 °C / 32 °F ~ 104 °F
- Removable Chevrons

### Technical Drawing



### Ordering Information

Model	Description
EL-7007GX-220	LED Emergency Exit Sign - Green, 220-240 VAC, packed 12/case

**Canada**  
25 Interchange Way Vaughan, ON L4K 5W3  
Telephone: (905) 660-4655 | Fax: (905) 660-4113

**U.S.A.**  
4575 Witmer Industrial Estates Niagara Falls, NY 14305  
Toll Free: (888) 660-4655 | Fax Toll Free: (888) 660-4113



**THIS INFORMATION IS FOR MARKETING PURPOSES ONLY AND NOT INTENDED TO DESCRIBE THE PRODUCTS TECHNICALLY.**

For complete and accurate technical information relating to performance, installation, testing and certification, refer to technical literature. This document contains intellectual property of Mircom. The information is subject to change by Mircom without notice. Mircom does not represent or warrant correctness or completeness. All rights reserved. All other trademarks and registered trademarks are properties of their respective owners.



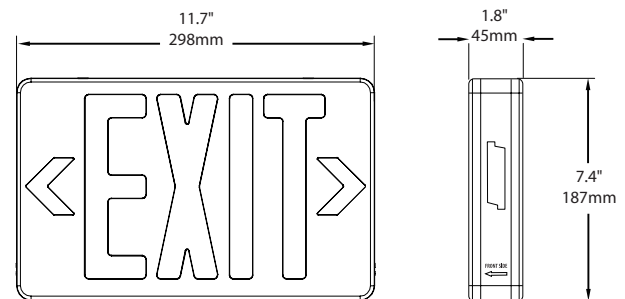
## Features

Input Power on AC (when charging)	5.1 - 5.7W
Input Power on AC (when fully charged)	1W
Output Power on Battery	1W
Lamp Type	Plug-in LED strip
Input Voltage	120/220-277 VAC
Frequency	50/60 Hz
Battery Type	Ni-cd
Working Time	180 Minutes
Charging Time	24 Hours

## Description

- Injection-molded thermoplastic ABS housing
- UL-94V-0 flame rating, fire-retardant
- 2-Sided sign
- Wall, side and ceiling mountable
- Input Voltage: 120/220-277VAC, 50/60Hz
- Super bright LED plug-in strip with color connector for RED or GREEN backlit lighting. Switch is pre-set on RED. See manual for connecting details.
- Nickel Cadmium Battery, 1.2V 600mAh
- Test switch and charge indicator light
- Overcharge & Over-discharge protection
- Backup time: 180 minutes
- Conversion time: < 0.2 second
- IP Class: IP20
- Operating Temperature: 5 °C ~ 35 °C / 41 °F ~ 95 °F
- Removable Chevrons
- EMC/FCC approved
- Comes with 2 faceplates with red plastic inserts and 1 backplate
- Green plastic inserts available on request (sold separately)

## Technical Drawing



## Ordering Information

Model	Description
EL-7007RX-180	Red LED Emergency Exit Sign (120/220-277 VAC) with 180 Minute Battery Backup, 10/case



**Canada**  
25 Interchange Way Vaughan, ON L4K 5W3  
Telephone: (905) 660-4655 | Fax: (905) 660-4113

**U.S.A.**  
4575 Witmer Industrial Estates Niagara Falls, NY 14305  
Toll Free: (888) 660-4655 | Fax Toll Free: (888) 660-4113



**THIS INFORMATION IS FOR MARKETING PURPOSES ONLY AND NOT INTENDED TO DESCRIBE THE PRODUCTS TECHNICALLY.**

For complete and accurate technical information relating to performance, installation, testing and certification, refer to technical literature. This document contains intellectual property of Mircom. The information is subject to change by Mircom without notice. Mircom does not represent or warrant correctness or completeness. All rights reserved. All other trademarks and registered trademarks are properties of their respective owners.



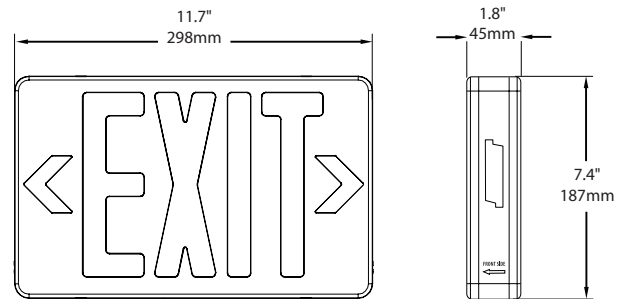
### Features

Input Power on AC (when charging)	5.1 - 5.7W
Input Power on AC (when fully charged)	1W
Output Power on Battery	1W
Lamp Type	Plug-in LED strip
Input Voltage	120/220-277 VAC
Frequency	50/60 Hz
Battery Type	Ni-cd
Working Time	180 Minutes
Charging Time	24 Hours

### Description

- Injection-molded thermoplastic ABS housing
- UL-94V-0 flame rating, fire-retardant
- 2-Sided sign
- Wall, side and ceiling mountable
- Input Voltage: 120/220-277VAC, 50/60Hz
- Super bright LED plug-in strip with color connector for GREEN or RED backlit lighting. Switch is pre-set on GREEN. See manual for connecting details.
- Nickel Cadmium Battery, 1.2V 600mAh
- Test switch and charge indicator light
- Overcharge & Over-discharge protection
- Backup time: 180 minutes
- Conversion time: < 0.2 second
- IP Class: IP20
- Operating Temperature: 5 °C ~ 35 °C / 41 °F ~ 95 °F
- Removable Chevrons
- EMC/FCC approved
- Comes with 2 faceplates with green plastic inserts and 1 backplate
- Red plastic inserts available on request (sold separately)

### Technical Drawing



### Ordering Information

Model	Description
EL-7007GX-180	Green LED Emergency Exit Sign (120/220-277 VAC) with 180 Minute Battery Backup, 10/case

**Canada**  
25 Interchange Way Vaughan, ON L4K 5W3  
Telephone: (905) 660-4655 | Fax: (905) 660-4113

**U.S.A.**  
4575 Witmer Industrial Estates Niagara Falls, NY 14305  
Toll Free: (888) 660-4655 | Fax Toll Free: (888) 660-4113



**THIS INFORMATION IS FOR MARKETING PURPOSES ONLY AND NOT INTENDED TO DESCRIBE THE PRODUCTS TECHNICALLY.**

For complete and accurate technical information relating to performance, installation, testing and certification, refer to technical literature. This document contains intellectual property of Mircom. The information is subject to change by Mircom without notice. Mircom does not represent or warrant correctness or completeness. All rights reserved. All other trademarks and registered trademarks are properties of their respective owners.



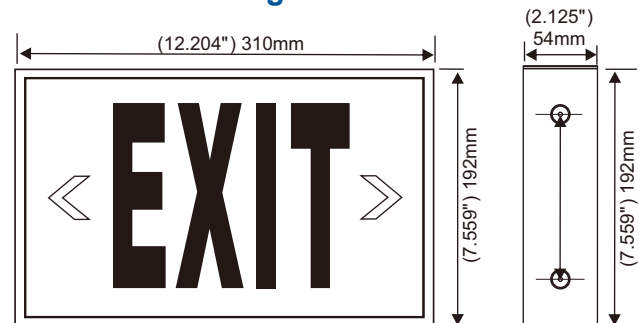
### Features

Input Power on AC	3-4W
Output Power on Battery	1W
Lamp Type	LED
Input Voltage	120-347 VAC
Frequency	50/60 Hz
LED Type	LED Strip
Battery Type	Ni-cd
Working Time	180 Minutes
Charging Time	24 Hours

### Description

- Durable 20 gauge steel housing
- 2-sided sign
- Wall, ceiling, and side mountable
- Input Voltage: 120 - 347VAC 50/60Hz
- LED technology
- 3.6V 1000mAh Nickel Cadmium battery
- Test switch and charge indicator light
- Overcharge & Over-discharge protection
- Backup time: 180 minutes
- Suitable for damp locations
- Operating Temperature: 5 °C ~ 30 °C / 41 °F ~ 86 °F

### Technical Drawing



### Included Inserts

- Second EXIT insert cover for 2-sided ceiling mounting
- Removable chevrons

### Ordering Information

Model	Description
EL-100SR	Steel LED Exit Sign



**Canada**  
25 Interchange Way Vaughan, ON L4K 5W3  
Telephone: (905) 660-4655 | Fax: (905) 660-4113

**U.S.A.**  
4575 Witmer Industrial Estates Niagara Falls, NY 14305  
Toll Free: (888) 660-4655 | Fax Toll Free: (888) 660-4113



**THIS INFORMATION IS FOR MARKETING PURPOSES ONLY AND NOT INTENDED TO DESCRIBE THE PRODUCTS TECHNICALLY.**

For complete and accurate technical information relating to performance, installation, testing and certification, refer to technical literature. This document contains intellectual property of Mircom. The information is subject to change by Mircom without notice. Mircom does not represent or warrant correctness or completeness. All rights reserved. All other trademarks and registered trademarks are properties of their respective owners.



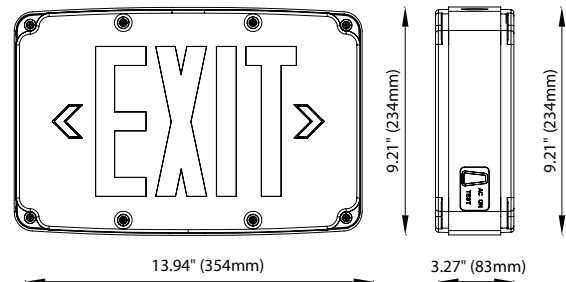
### Features

Input Power on AC	4.5W
Output Power on Battery	1W
Lamp Type	SMD LED strip
Input Voltage	120-347 VAC
Frequency	50/60 Hz
Battery Type	NI-MH
Working Time	120 Minutes
Charging Time	24 Hours

### Description

- Injection-molded thermoplastic ABS housing
- 2-sided sign
- Wall, side and ceiling mountable
- Input Voltage: 120 - 347VAC, 50/60Hz
- LED technology
- Nickel Metal Hydride Battery 3.6V 1500mAh
- Test switch and charge indicator light
- Overcharge & Over-discharge protection
- Backup time: 120 minutes
- Suitable for wet locations
- Operating Temperature: -20 °C ~ 40 °C / -4 °F ~ 104 °F

### Technical Drawing



### Ordering Information

Model	Description
EL-100WP	Compact LED Wet Location EXIT Sign



**Canada**  
25 Interchange Way Vaughan, ON L4K 5W3  
Telephone: (905) 660-4655 | Fax: (905) 660-4113

**U.S.A.**  
4575 Witmer Industrial Estates Niagara Falls, NY 14305  
Toll Free: (888) 660-4655 | Fax Toll Free: (888) 660-4113



**THIS INFORMATION IS FOR MARKETING PURPOSES ONLY AND NOT INTENDED TO DESCRIBE THE PRODUCTS TECHNICALLY.**

For complete and accurate technical information relating to performance, installation, testing and certification, refer to technical literature. This document contains intellectual property of Mircom. The information is subject to change by Mircom without notice. Mircom does not represent or warrant correctness or completeness. All rights reserved. All other trademarks and registered trademarks are properties of their respective owners.





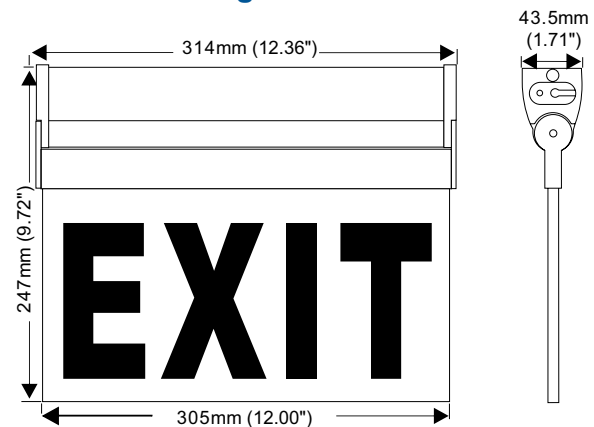
**Features**

Input Power on AC	3-4 W
Output Power on Battery	1W
Lamp Type	LED
Input Voltage	120-347 VAC
Frequency	50/60Hz
LED Type	LED Strip
Battery Type	Ni-cd
Working Time	180 Minutes
Charging Time	24 Hours

**Description**

- Durable aluminum housing
- 2-sided sign
- Wall and ceiling mounting
- Input Voltage: 120-347 VAC
- LED technology
- 3.6 V 1000mAh Nickel Cadmium Battery
- Test switch and charge indicator light
- Overcharge & Over-discharge protection
- Backup time: 180 minutes
- Suitable for damp locations
- Operating Temperature: 5 °C ~ 30 °C / 41 °F ~ 86 °F

**Technical Drawing**



**Ordering Information**

Model	Description
EL-7008RA	Aluminum LED Edge-Lit Exit Sign



**Canada**  
 25 Interchange Way Vaughan, ON L4K 5W3  
 Telephone: (905) 660-4655 | Fax: (905) 660-4113

**U.S.A.**  
 4575 Witmer Industrial Estates Niagara Falls, NY 14305  
 Toll Free: (888) 660-4655 | Fax Toll Free: (888) 660-4113



**THIS INFORMATION IS FOR MARKETING PURPOSES ONLY AND NOT INTENDED TO DESCRIBE THE PRODUCTS TECHNICALLY.**

For complete and accurate technical information relating to performance, installation, testing and certification, refer to technical literature. This document contains intellectual property of Mircom. The information is subject to change by Mircom without notice. Mircom does not represent or warrant correctness or completeness. All rights reserved. All other trademarks and registered trademarks are properties of their respective owners.



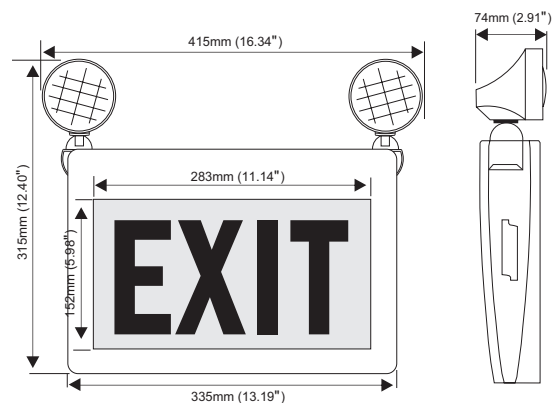
## Features

Input Power on AC (when charging)	3-4W
Input Power on AC (when fully charged)	1W
Output Power on battery	5W
Lamp Type	2x2W LED
Input Voltage	120-347 VAC
Frequency	50/60 Hz
LED Type	SMD LED
Battery Type	Ni-cd
Working Time	120 Minutes
Charging Time	15-24 Hours

## Description

- Injection-molded thermoplastic ABS housing
- UL-94V-0 flame rating, fire-retardant
- 1-sided sign
- Wall and ceiling mountable
- Input Voltage: 120-347VAC, 50/60Hz
- 2x2 W lamps for emergency mode, 160 lumens each
- Nickel Cadmium Battery, 3.6V 1800mAh
- Test switch and charge indicator light
- Overcharge & Over-discharge protection
- Backup time:  $\geq 120$  minutes
- Conversion time:  $< 0.2$  second
- IP Class: IP20
- Insulation: II, Range: 80m2/860 sq. ft.
- Operating Temperature: 0 °C ~ 40 °C / 32°F ~ 104°F
- Removable chevrons

## Technical Drawing



## Ordering Information

Model	Description
EL-7027BR	LED Emergency Exit Sign Combo With Adjustable Heads



**Canada**  
25 Interchange Way Vaughan, ON L4K 5W3  
Telephone: (905) 660-4655 | Fax: (905) 660-4113

**U.S.A.**  
4575 Witmer Industrial Estates Niagara Falls, NY 14305  
Toll Free: (888) 660-4655 | Fax Toll Free: (888) 660-4113



**THIS INFORMATION IS FOR MARKETING PURPOSES ONLY AND NOT INTENDED TO DESCRIBE THE PRODUCTS TECHNICALLY.**

For complete and accurate technical information relating to performance, installation, testing and certification, refer to technical literature. This document contains intellectual property of Mircom. The information is subject to change by Mircom without notice. Mircom does not represent or warrant correctness or completeness. All rights reserved. All other trademarks and registered trademarks are properties of their respective owners.



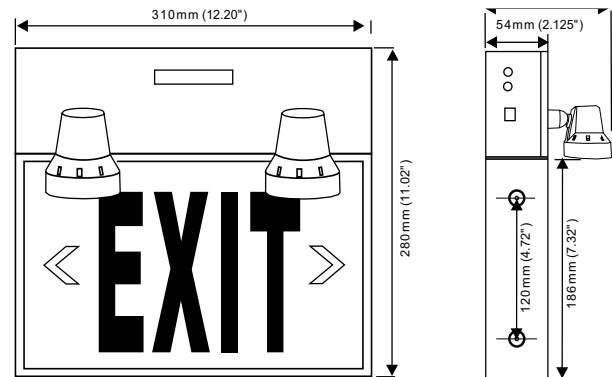
### Description

- Durable 20 gauge steel housing
- Wall, ceiling, and side mountable
- 1-sided sign (2-sided available)
- Input power on AC is 3.5W when fully charged
- Input Voltage: 120-347VAC, 50/60Hz
- Super bright LED heads, 160 lumens each
- 6V6Ah Sealed Lead Acid battery
- CSA Certified Backup time: 30 minutes at 36W
- 2W from sign, 4W from attached heads + up to additional 30W
- cULus Certified Backup time: 90 minutes at 12W
- 2W from sign, 4W from attached heads + up to additional 6W
- Test switch and charge indicator light
- Overcharge & Over-discharge protection
- Suitable for damp locations
- Operating Temperature: 5 °C ~ 30 °C / 41 °F ~ 86 °F

### Features

Input Power on AC (when charging)	3.5-7.5W
Output Power on battery	6W
Lamp Type	2x2W LED
Input Voltage	120-347 VAC
Frequency	50/60 Hz
LED Type (unit)	SMD LED Strip
Battery Type	Sealed Lead Acid
Working Time – CSA	30 Minutes at 36W
Working Time – cULus	90 Minutes at 12W
Charging Time	24 Hours

### Technical Drawing



### Remote Add-ons



EL-7030A (1.5W)



EL-7030B (3W)



### Ordering Information

Model	Description
EL-180-18RCS	Steel LED Emergency Exit Sign Combo (Remote Capable)

**Canada**  
25 Interchange Way Vaughan, ON L4K 5W3  
Telephone: (905) 660-4655 | Fax: (905) 660-4113

**U.S.A.**  
4575 Witmer Industrial Estates Niagara Falls, NY 14305  
Toll Free: (888) 660-4655 | Fax Toll Free: (888) 660-4113



**THIS INFORMATION IS FOR MARKETING PURPOSES ONLY AND NOT INTENDED TO DESCRIBE THE PRODUCTS TECHNICALLY.**

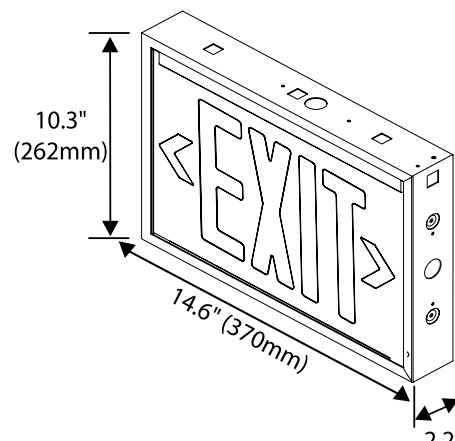
For complete and accurate technical information relating to performance, installation, testing and certification, refer to technical literature. This document contains intellectual property of Mircom. The information is subject to change by Mircom without notice. Mircom does not represent or warrant correctness or completeness. All rights reserved. All other trademarks and registered trademarks are properties of their respective owners.


**Features**

Power on AC	4/5.5W
Output Power on Battery	1W
Input Voltage	120/277 VAC
Frequency	50/60 Hz
LED Type	Plug-in LED Strip
Battery Type	Ni-cd
Working Time	90 Minutes
Charging Time	24 Hours

**Description**

- 20 gauge steel housing in white finish
- 2-sided sign
- Wall, side or ceiling mountable
- Input Voltage: 120/277 VAC, 50/60Hz
- Super bright LED Strip
- Nickel Cadmium Battery 3.6V 600mAh
- Test switch and charge indicator light
- Overcharge & Over-discharge protection
- Backup time: 90 minutes
- Conversion time: <0.2 second
- IP Class: IP20
- Operating Temperature: 41 °F ~ 95 °F (5 °C ~ 35 °C)
- UL and New York City Approved
- 8" high letters with 1" stroke
- 100ft viewing distance
- Meets UL924 standards
- Removable chevrons

**Technical Drawing**


**NEW YORK CITY  
APPROVED**


**Ordering Information**

Model	Description
EL-7007RX-NYC	LED Emergency Exit Sign – New York City Approved

**Canada**  
25 Interchange Way Vaughan, ON L4K 5W3  
Telephone: (905) 660-4655 | Fax: (905) 660-4113

**U.S.A.**  
4575 Witmer Industrial Estates Niagara Falls, NY 14305  
Toll Free: (888) 660-4655 | Fax Toll Free: (888) 660-4113



**THIS INFORMATION IS FOR MARKETING PURPOSES ONLY AND NOT INTENDED TO DESCRIBE THE PRODUCTS TECHNICALLY.**

For complete and accurate technical information relating to performance, installation, testing and certification, refer to technical literature. This document contains intellectual property of Mircom. The information is subject to change by Mircom without notice. Mircom does not represent or warrant correctness or completeness. All rights reserved. All other trademarks and registered trademarks are properties of their respective owners.



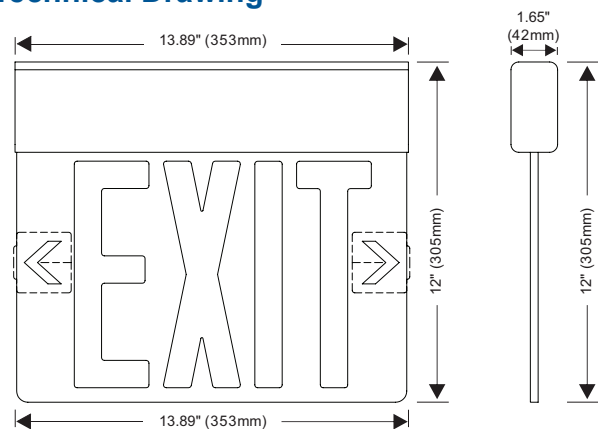
### Description

- Aluminum housing with high grade PMMA acrylic panel
- 1-sided sign, double face available (on request)
- Wall or ceiling mountable
- Input Voltage: 120-347 VAC, 50/60Hz
- Super bright LED Strip
- Nickel Cadmium Battery 3.6V 1000mAh
- Test switch and charge indicator light
- Overcharge & Over-discharge protection
- Backup time: 180 minutes
- Conversion time: <0.2 second
- IP Class: IP20
- Operating Temperature: 41 °F ~ 86 °F (5 °C ~ 30 °C)
- UL and New York City Approved
- 8" high letters with 1" stroke
- 100ft viewing distance
- Meets UL924 standards

### Features

Power on AC	3-4W
Output Power on Battery	1W
Input Voltage	120-347 VAC
Frequency	50/60Hz
LED Type	Plug-in LED Strip
Battery Type	Ni-cd
Working Time	180 Minutes
Charging Time	24 Hours

### Technical Drawing



### Ordering Information

Model	Description
EL-7008RA--NYC	Aluminum Edge-Lit LED Exit Sign – New York City Approved

**NEW YORK CITY  
APPROVED**



**Canada**  
25 Interchange Way Vaughan, ON L4K 5W3  
Telephone: (905) 660-4655 | Fax: (905) 660-4113

**U.S.A.**  
4575 Witmer Industrial Estates Niagara Falls, NY 14305  
Toll Free: (888) 660-4655 | Fax Toll Free: (888) 660-4113



**THIS INFORMATION IS FOR MARKETING PURPOSES ONLY AND NOT INTENDED TO DESCRIBE THE PRODUCTS TECHNICALLY.**

For complete and accurate technical information relating to performance, installation, testing and certification, refer to technical literature. This document contains intellectual property of Mircom. The information is subject to change by Mircom without notice. Mircom does not represent or warrant correctness or completeness. All rights reserved. All other trademarks and registered trademarks are properties of their respective owners.



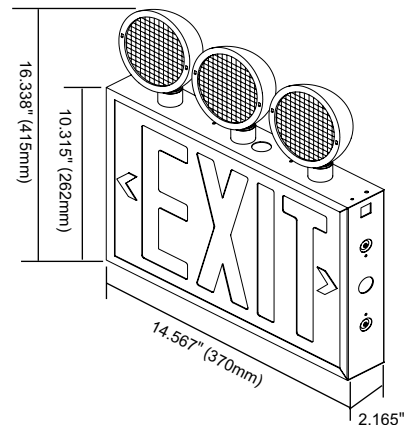
### Features

Input Power on AC	4.5/6W
Output Power on Battery	4W
Lamp Type	1W LED (X3)
Input Voltage	120/277 VAC
Frequency	50/60 Hz
LED Type	Plug-in LED Strip
Battery Type	Ni-cd
Working Time	90 Minutes
Charging Time	24 Hours

### Description

- 20 gauge steel housing in white finish
- Input Voltage: 120/277VAC, 50/60Hz
- 1-Sided sign
- Side or wall mountable
- Nickel Cadmium Battery 3.6V 2000mAh
- Super bright LED Strip
- Test switch and charge indicator light
- Overcharge & Over-discharge protection
- Backup time: 90 minutes
- Conversion time: <0.2 second
- IP Class: IP20
- Three LED heads (adjustable & removable), 70 lumens each
- Operating Temperature: 41 °F ~ 95 °F (5 °C ~ 35 °C)
- UL and New York City Approved
- 8" high letters with 1" stroke
- 100ft viewing distance
- Meets UL924 standards
- Removable chevrons

### Technical Drawing



### Ordering Information

Model	Description
EL-7008BR--NYC	LED Emergency Exit Sign Combo with Adjustable Heads - New York City Approved

**NEW YORK CITY  
APPROVED**



**Canada**  
25 Interchange Way Vaughan, ON L4K 5W3  
Telephone: (905) 660-4655 | Fax: (905) 660-4113

**U.S.A.**  
4575 Witmer Industrial Estates Niagara Falls, NY 14305  
Toll Free: (888) 660-4655 | Fax Toll Free: (888) 660-4113



**THIS INFORMATION IS FOR MARKETING PURPOSES ONLY AND NOT INTENDED TO DESCRIBE THE PRODUCTS TECHNICALLY.**

For complete and accurate technical information relating to performance, installation, testing and certification, refer to technical literature. This document contains intellectual property of Mircom. The information is subject to change by Mircom without notice. Mircom does not represent or warrant correctness or completeness. All rights reserved. All other trademarks and registered trademarks are properties of their respective owners.





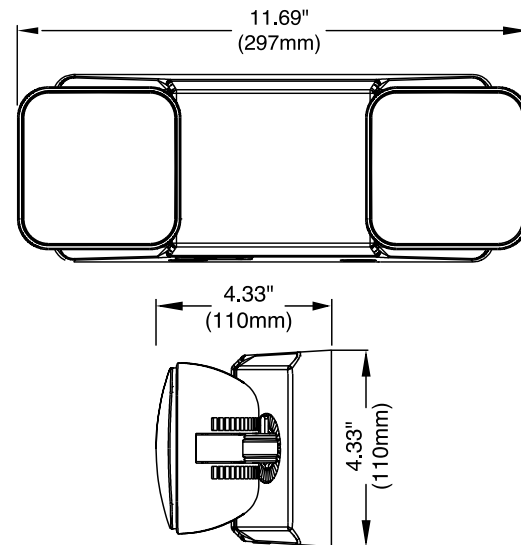
### Features

Power on AC	2.5W
Lamp Type	2x1.2W LED
Input Voltage	120-347 VAC
Frequency	50/60Hz
Battery Type	Ni-cd
LED Type	SMD LED
Working Time	180 Minutes
Charging Time	24 Hours

### Description

- Injection-molded thermoplastic ABS housing
- UL-94V-0 flame rating, fire-retardant
- Wall and ceiling mountable
- Input Voltage: 120-347 VAC 50/60Hz
- 2x1.2W Lamps for Emergency Mode
- Super bright SMD LED - 100 Lumens per lamp head
- Nickel Cadmium Battery 3.6V 1800mAh
- Test switch and charge indicator light
- Overcharge & Over-discharge protection
- Backup time: 180 minutes
- Conversion time: <0.2 second
- IP Class: IP20
- Insulation: II
- Operating Temperature: 0 °C ~ 40 °C / 32 °F ~ 104 °F

### Technical Drawing



### Ordering Information

Model	Description
EL-7006	Emergency Light (Twin Square)



**Canada**  
25 Interchange Way Vaughan, ON L4K 5W3  
Telephone: (905) 660-4655 | Fax: (905) 660-4113

**U.S.A.**  
4575 Witmer Industrial Estates Niagara Falls, NY 14305  
Toll Free: (888) 660-4655 | Fax Toll Free: (888) 660-4113



**THIS INFORMATION IS FOR MARKETING PURPOSES ONLY AND NOT INTENDED TO DESCRIBE THE PRODUCTS TECHNICALLY.**

For complete and accurate technical information relating to performance, installation, testing and certification, refer to technical literature. This document contains intellectual property of Mircom. The information is subject to change by Mircom without notice. Mircom does not represent or warrant correctness or completeness. All rights reserved. All other trademarks and registered trademarks are properties of their respective owners.



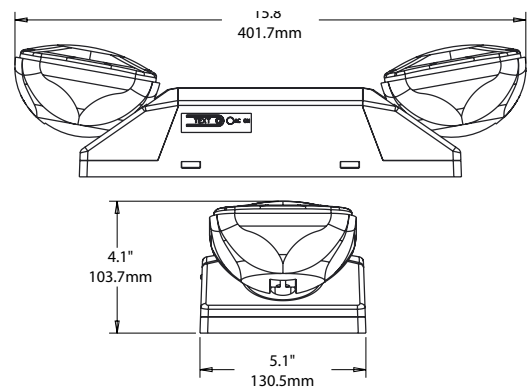
### Features

Input Power on AC (when charging)	5.3W
Input Power on AC (when fully charged)	1.5W
Lamp Type	2x2W LED
Input Voltage	120/347 VAC
Frequency	60 Hz
LED Type	SMD LED
Battery Type	Sealed Lead Acid
Working Time	30 Minutes at 28W
Charging Time	24 Hours

### Description

- Injection-molded thermoplastic ABS housing
- UL-94-V-0 flame rating, fire-retardant
- Wall Mountable
- Switchable input voltage 120/347 VAC
- Optional 120V line cord/AC plug included
- 2x2W lamps for emergency mode, 113.5 lumens each
- Sealed lead acid battery 6V5Ah
- Test switch and charge indicator light
- Overcharge & Over-Discharge protection
- Backup time: 30 Minutes at 28W
- Remote Capability: Up to 24W of additional remotes for 30 minutes, 7W for 90 minutes
- Conversion time: <0.2 second
- IP Class: IP20
- Insulation: II, 80m2/860sq ft
- Operating Temperature: 0 °C ~ 40 °C / 32 °F ~ 104 °F

### Technical Drawing



### Remote Add-ons



EL-7030A (1.5W)



EL-7030B (3W)



### Ordering Information

Model	Description
EL-7006-RC	Emergency Light (Remote Capable)

**Canada**  
 25 Interchange Way Vaughan, ON L4K 5W3  
 Telephone: (905) 660-4655 | Fax: (905) 660-4113

**U.S.A.**  
 4575 Witmer Industrial Estates Niagara Falls, NY 14305  
 Toll Free: (888) 660-4655 | Fax Toll Free: (888) 660-4113



**THIS INFORMATION IS FOR MARKETING PURPOSES ONLY AND NOT INTENDED TO DESCRIBE THE PRODUCTS TECHNICALLY.**

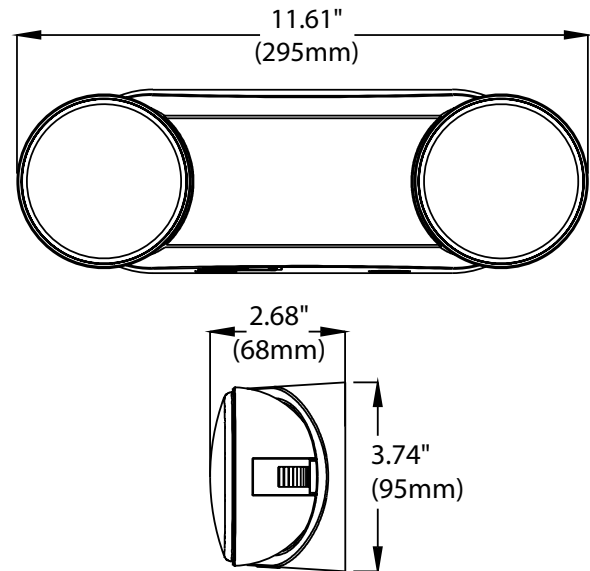
For complete and accurate technical information relating to performance, installation, testing and certification, refer to technical literature. This document contains intellectual property of Mircom. The information is subject to change by Mircom without notice. Mircom does not represent or warrant correctness or completeness. All rights reserved. All other trademarks and registered trademarks are properties of their respective owners.


**Features**

Power on AC	2.5W
Lamp Type	2x1.2W LED
Input Voltage	120-347 VAC
Frequency	50/60Hz
Battery Type	Ni-cd
LED Type	SMD LED
Working Time	180 Minutes
Charging Time	24 Hours

**Description**

- Injection-molded thermoplastic ABS housing
- UL-94V-0 flame rating, fire-retardant
- Wall and ceiling mountable
- Input Voltage: 120-347 VAC 50/60Hz
- 2x1.2W Lamps for Emergency Mode
- Super bright SMD LED - 100 Lumens per lamp head
- Nickel Cadmium Battery 3.6V 1800mAh
- Test switch and charge indicator light
- Overcharge & Over-discharge protection
- Backup time: 180 minutes
- Conversion time: <0.2 second
- IP Class: IP20
- Insulation: II
- Operating Temperature: 0 °C ~ 40 °C / 32 °F ~104 °F

**Technical Drawing**

**Ordering Information**

Model	Description
EL-7012	Emergency Light (Twin Spot)



**Canada**  
25 Interchange Way Vaughan, ON L4K 5W3  
Telephone: (905) 660-4655 | Fax: (905) 660-4113

**U.S.A.**  
4575 Witmer Industrial Estates Niagara Falls, NY 14305  
Toll Free: (888) 660-4655 | Fax Toll Free: (888) 660-4113



**THIS INFORMATION IS FOR MARKETING PURPOSES ONLY AND NOT INTENDED TO DESCRIBE THE PRODUCTS TECHNICALLY.**

For complete and accurate technical information relating to performance, installation, testing and certification, refer to technical literature. This document contains intellectual property of Mircom. The information is subject to change by Mircom without notice. Mircom does not represent or warrant correctness or completeness. All rights reserved. All other trademarks and registered trademarks are properties of their respective owners.



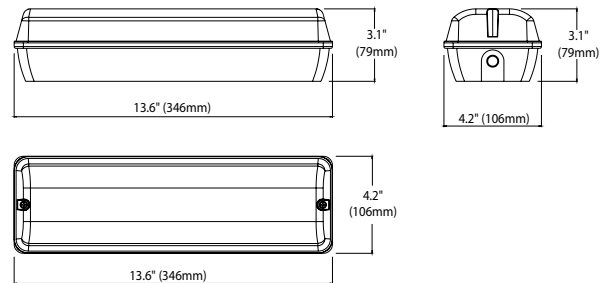
### Features

Input Power on AC	5W
Output Power on Battery	1W
Input Voltage	120-347 VAC
Frequency	50/60Hz
LED Type	SMD Strip
Battery Type	Ni-cd
Working Time	180 Minutes
Charging Time	24 hours

### Description

- Fire-retardant thermoplastic casing with transparent polycarbonate diffuser
- Wall or ceiling mountable
- Operates in Maintained or non-Maintained modes
- Input Voltage: 120-347 VAC, 50/60Hz
- Nickel Cadmium Battery: 3.6V SC1500mAh
- Ultra bright 150 Lumen SMD LED light source
- Test switch and charge indicator light
- Overcharge and over-discharge protection
- Backup time: 180 Minutes
- Conversion time: <0.2 second
- IP class: IP20
- Operating Temperature: 5 °C ~ 30 °C / 41 °F ~ 86 °F

### Technical Drawing



### Ordering Information

Model	Description
EL-UL236	Emergency Light with Battery Backup (maintained or non-maintained)



**Canada**  
25 Interchange Way Vaughan, ON L4K 5W3  
Telephone: (905) 660-4655 | Fax: (905) 660-4113

**U.S.A.**  
4575 Witmer Industrial Estates Niagara Falls, NY 14305  
Toll Free: (888) 660-4655 | Fax Toll Free: (888) 660-4113



**THIS INFORMATION IS FOR MARKETING PURPOSES ONLY AND NOT INTENDED TO DESCRIBE THE PRODUCTS TECHNICALLY.**

For complete and accurate technical information relating to performance, installation, testing and certification, refer to technical literature. This document contains intellectual property of Mircom. The information is subject to change by Mircom without notice. Mircom does not represent or warrant correctness or completeness. All rights reserved. All other trademarks and registered trademarks are properties of their respective owners.

[www.mircom.com](http://www.mircom.com)

CATALOG NUMBER **4161**

[mircom.com/emergency-lighting](http://mircom.com/emergency-lighting)



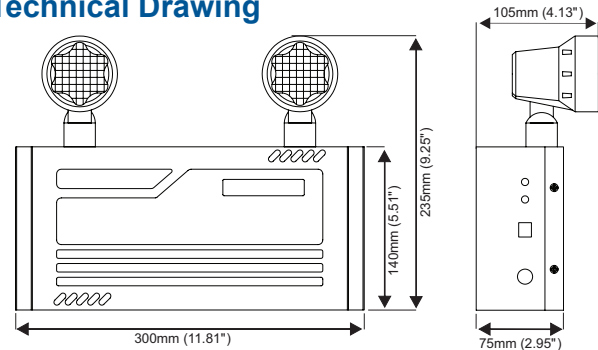
### Description

- Durable 20 gauge steel housing
- Wall mountable
- Input Voltage: 120-347 VAC 50/60Hz
- LED technology
- 6V6Ah Sealed Lead Acid Battery
- CSA Certified Backup time: 30 minutes at 36W  
4W from attached heads + up to additional 32W
- cULus Certified Backup time: 90 minutes at 12W  
4W from attached heads + up to additional 8W
- Test switch and charge indicator light
- Overcharge & Over-discharge protection
- Suitable for damp locations
- Optional line cord included
- Operating Temperature: 5 °C ~ 30 °C / 41 °F ~ 86 °F

### Features

Power on AC	3.2-3.6W
Lamp Type	2x2W LED
Input Voltage	120-347 VAC
Frequency	50/60Hz
Battery Type	Sealed Lead Acid
Working Time – CSA	30 Minutes at 36W
Working Time – cULus	90 Minutes at 12W
Charging Time	24 Hours

### Technical Drawing



### Remote Add-ons



EL-7030A (1.5W)



EL-7030B (3W)

### Ordering Information

Model	Description
EL-7061S	Emergency Battery Backup Unit (36W, Remote Capable)

**Canada**  
25 Interchange Way Vaughan, ON L4K 5W3  
Telephone: (905) 660-4655 | Fax: (905) 660-4113

**U.S.A.**  
4575 Witmer Industrial Estates Niagara Falls, NY 14305  
Toll Free: (888) 660-4655 | Fax Toll Free: (888) 660-4113



**THIS INFORMATION IS FOR MARKETING PURPOSES ONLY AND NOT INTENDED TO DESCRIBE THE PRODUCTS TECHNICALLY.**

For complete and accurate technical information relating to performance, installation, testing and certification, refer to technical literature. This document contains intellectual property of Mircom. The information is subject to change by Mircom without notice. Mircom does not represent or warrant correctness or completeness. All rights reserved. All other trademarks and registered trademarks are properties of their respective owners.





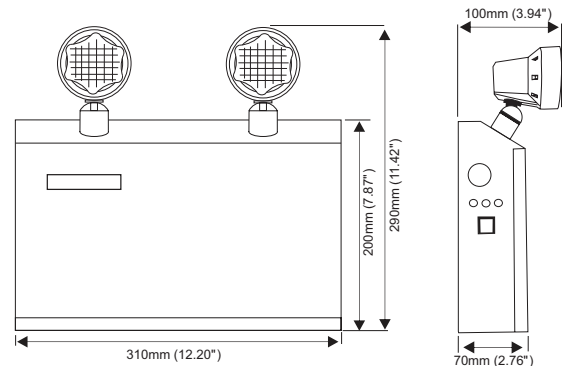
**Features**

Power on AC	14-16W
Lamp Type	2x2W LED
Input Voltage	120/347 VAC
Frequency	50/60Hz
Battery Type	Sealed Lead Acid
Working Time	30 Minutes at 95W
Charging Time	24 Hours

**Description**

- Durable 20 gauge steel housing
- Wall mountable
- Input Voltage: 120/347VAC 50/60Hz
- LED technology
- 12V10Ah Sealed Lead Acid Battery
- Backup time: 30 minutes at 95W
- 4W from attached heads + up to additional 91W
- Test switch and charge indicator light
- Overcharge & Over-discharge protection
- Suitable for damp locations
- Optional line cord included
- Operating Temperature: 5 °C ~ 30 °C / 41 °F ~ 86 °F

**Technical Drawing**



**Remote Add-ons**



EL-7030A (1.5W)



EL-7030B (3W)



**Ordering Information**

Model	Description
EL-7062S	Emergency Battery Backup Unit (95W, Remote Capable)

**Canada**  
 25 Interchange Way Vaughan, ON L4K 5W3  
 Telephone: (905) 660-4655 | Fax: (905) 660-4113

**U.S.A.**  
 4575 Witmer Industrial Estates Niagara Falls, NY 14305  
 Toll Free: (888) 660-4655 | Fax Toll Free: (888) 660-4113



**THIS INFORMATION IS FOR MARKETING PURPOSES ONLY AND NOT INTENDED TO DESCRIBE THE PRODUCTS TECHNICALLY.**

For complete and accurate technical information relating to performance, installation, testing and certification, refer to technical literature. This document contains intellectual property of Mircom. The information is subject to change by Mircom without notice. Mircom does not represent or warrant correctness or completeness. All rights reserved. All other trademarks and registered trademarks are properties of their respective owners.





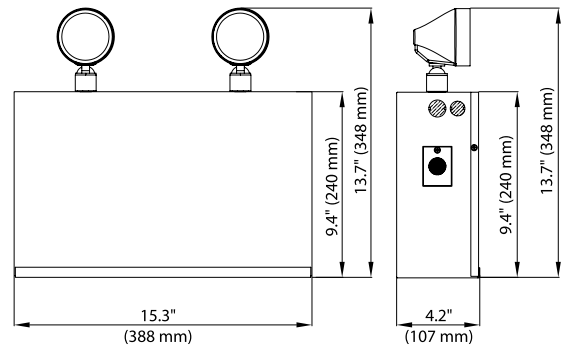
### Features

Power on AC	18W-21W
Lamp Type	2x 2W LED
Input Voltage	120/347 VAC
Frequency	50/60 Hz
Battery Type	Sealed Lead Acid
Working Time	30 Minutes at 275W
Charging Time	45 Hours

### Description

- Durable steel housing
- Wall mountable with optional line cord included
- Input voltage: 120/347VAC 50/60Hz
- LED technology
- Two 12V12Ah sealed lead acid batteries
- 271W additional remote capability
- Test switch and charge indicator light
- Overcharge & over-discharge protection
- Backup time on battery: 30 minutes at 275 W
- Suitable for damp locations
- Operating temperature: 15 °C ~ 35 °C / 59 °F ~ 95 °F

### Technical Drawing



### Remote Add-ons

Unit comes with two attached 2W remote heads. You can add on up to 271W of additional remotes comprised of one or a combination of the following;



### Ordering Information

Model	Description
EL-7064S	Emergency Battery Backup Unit (275W Remote Capable)

**Canada**  
25 Interchange Way Vaughan, ON L4K 5W3  
Telephone: (905) 660-4655 | Fax: (905) 660-4113

**U.S.A.**  
4575 Witmer Industrial Estates Niagara Falls, NY 14305  
Toll Free: (888) 660-4655 | Fax Toll Free: (888) 660-4113



**THIS INFORMATION IS FOR MARKETING PURPOSES ONLY AND NOT INTENDED TO DESCRIBE THE PRODUCTS TECHNICALLY.**

For complete and accurate technical information relating to performance, installation, testing and certification, refer to technical literature. This document contains intellectual property of Mircom. The information is subject to change by Mircom without notice. Mircom does not represent or warrant correctness or completeness. All rights reserved. All other trademarks and registered trademarks are properties of their respective owners.



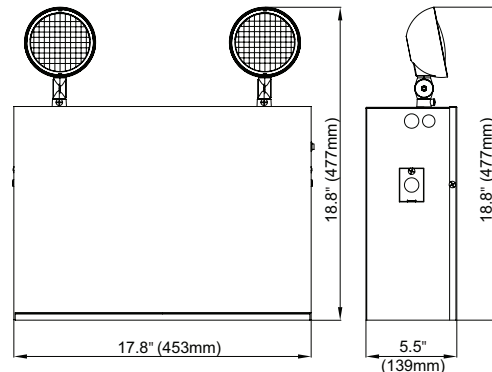
### Features

Power on AC	15W - 28W
Lamp Type	2x10W LED
Input Voltage	120/347VAC
Frequency	50/60Hz
Battery Type	Sealed Lead Acid
Working Time	30 Minutes at 720W
Charging Time	60 Hours

### Description

- Durable 18 gauge steel housing
- Wall mountable
- Input Voltage: 120/347VAC, 50/60Hz
- 2 x 10W Super bright LED light heads, 900 lumens each
- Two 12V35Ah sealed lead acid batteries
- Backup time on battery: 30 minutes at 720W  
Total calculated wattage at 90 minutes: 360W  
Total calculated wattage at 120 minutes: 220W
- Test switch and charge indicator light
- Overcharge & over-discharge protection
- Suitable for damp locations
- Optional 120V line cord included
- Operating temperature: 15 °C ~ 40 °C / 59 °F ~ 104 °F

### Technical Drawing



### Remote Add-ons

Unit comes with two attached 10W remote light heads. You can add on up to 700W of additional remotes comprised of any or a combination of the following:



EL-7030A (1.5W)



EL-7030B (3W)



EL-7030AWP (3W)



EL-7030BWP (6W)



### Ordering Information

Model	Description
EL-7066S	Emergency LED Battery Backup Unit - Steel (720W Remote Capable), packed 1/case



### Features

Power (W)	1.5W
Lamp Type	SMD LED
Input Voltage	3.6-24 VDC
Lumens	112.8

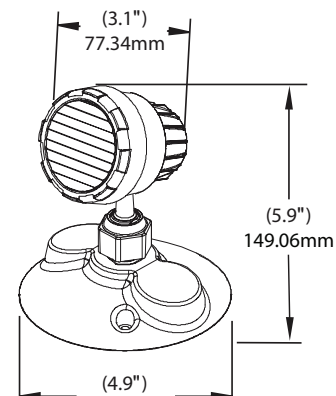
### Description

- Injection-molded thermoplastic ABS housing
- UL-94V-0 flame rating, fire-retardant
- Wall and ceiling mounting
- Universal voltage LED remote compatible with any emergency lighting system (3.6-24VDC)
- Reverse polarity protection
- Super bright SMD LED 1.5W
- IP Class: IP20
- Insulation: II, Range: 80m2 / 860sq.ft
- Operating Temperature: 0 °C ~ 40 °C / 32 °F ~104 °F

### Suitable for:

- ELRM-180-2RC
- ELRM-180-18RCS
- EL-180-18RCS
- EL-7006-RC
- EL-7061S
- EL-7062S
- EL-7064S

### Technical Drawing



### Ordering Information

Model	Description
EL-7030A	Single LED Remote Head (Universal Voltage)



**Canada**  
25 Interchange Way Vaughan, ON L4K 5W3  
Telephone: (905) 660-4655 | Fax: (905) 660-4113

**U.S.A.**  
4575 Witmer Industrial Estates Niagara Falls, NY 14305  
Toll Free: (888) 660-4655 | Fax Toll Free: (888) 660-4113



**THIS INFORMATION IS FOR MARKETING PURPOSES ONLY AND NOT INTENDED TO DESCRIBE THE PRODUCTS TECHNICALLY.**

For complete and accurate technical information relating to performance, installation, testing and certification, refer to technical literature. This document contains intellectual property of Mircom. The information is subject to change by Mircom without notice. Mircom does not represent or warrant correctness or completeness. All rights reserved. All other trademarks and registered trademarks are properties of their respective owners.



### Features

Power (W)	5W
Lamp Type	SMD LED
Input Voltage	3.6-24 VDC
Lumens	450

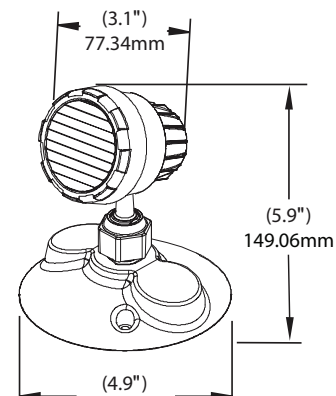
### Description

- Injection-molded thermoplastic ABS housing
- UL-94V-0 flame rating, fire-retardant
- Wall and ceiling mounting
- Universal voltage LED remote compatible with any emergency lighting system (3.6-24VDC)
- Reverse polarity protection
- Super bright SMD LED 5W, 450 Lumens
- IP Class: IP20
- Insulation: II, Range: 80m2 / 860sq.ft
- Operating Temperature: 0 °C ~ 40 °C / 32 °F ~104 °F

### Suitable for:

- ELRM-180-18RCS
- EL-180-18RCS
- EL-7006-RC
- EL-7061S
- EL-7062S
- EL-7064S
- EL-7066S

### Technical Drawing



### Ordering Information

Model	Description
EL-7030A5	Single 5W LED Remote Head (Universal Voltage), 40 per case



**Canada**  
25 Interchange Way Vaughan, ON L4K 5W3  
Telephone: (905) 660-4655 | Fax: (905) 660-4113

**U.S.A.**  
4575 Witmer Industrial Estates Niagara Falls, NY 14305  
Toll Free: (888) 660-4655 | Fax Toll Free: (888) 660-4113



This document is provided by Mircom Technologies Ltd., MGC Systems Corp., or their affiliates, subsidiaries and brands, for convenience or marketing only and does not describe products or services technically. For technical information refer to technical manuals. We do not make representations or warranties regarding this information, including as to completeness or accuracy. We may change these contents at any time and reserve all rights in the contents, including copyrights, trademarks and other intellectual property.



### Features

Power (W)	3W (2x1.5W)
Lamp Type	SMD LED
Input Voltage	3.6-24 VDC
Lumens	234.9

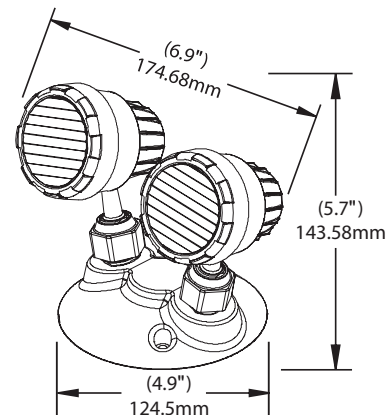
### Description

- Injection-molded thermoplastic ABS housing
- UL-94V-0 flame rating, fire-retardant
- Wall and ceiling mounting
- Universal voltage LED remote compatible with any emergency lighting system (3.6-24VDC)
- Reverse polarity protection
- Super bright SMD LED 2x1.5W
- IP Class: IP20
- Insulation: II, Range: 80m2 / 860sq.ft
- Operating Temperature: 0 °C ~ 40 °C / 32 °F ~104 °F

### Suitable for:

- ELRM-180-2RC
- ELRM-180-18RCS
- EL-180-18RCS
- EL-7006-RC
- EL-7061S
- EL-7062S
- EL-7064S

### Technical Drawing



### Ordering Information

Model	Description
EL-7030B	Double LED Remote Head (Universal Voltage)



**Canada**  
25 Interchange Way Vaughan, ON L4K 5W3  
Telephone: (905) 660-4655 | Fax: (905) 660-4113

**U.S.A.**  
4575 Witmer Industrial Estates Niagara Falls, NY 14305  
Toll Free: (888) 660-4655 | Fax Toll Free: (888) 660-4113



**THIS INFORMATION IS FOR MARKETING PURPOSES ONLY AND NOT INTENDED TO DESCRIBE THE PRODUCTS TECHNICALLY.**

For complete and accurate technical information relating to performance, installation, testing and certification, refer to technical literature. This document contains intellectual property of Mircom. The information is subject to change by Mircom without notice. Mircom does not represent or warrant correctness or completeness. All rights reserved. All other trademarks and registered trademarks are properties of their respective owners.



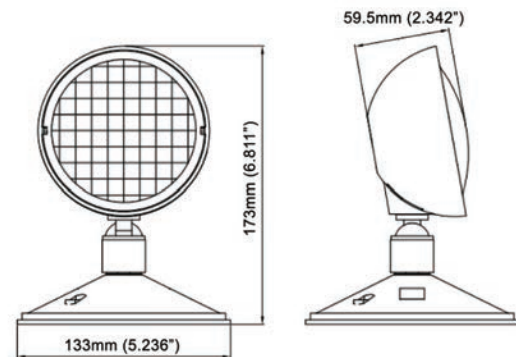
### Features

Power (W)	3W
Lamp Type	SMD LED
Input Voltage	3.6V - 24VDC
IP Class	IP65
Lumens	200

### Description

- Suitable for use in wet locations
- High impact thermoplastic housing
- Clear polycarbonate lens for bright illumination
- UL-94V-0 flame rating, fire-retardant
- Wall and ceiling mounting
- Universal voltage LED remote compatible with any emergency lighting system (3.6-24 VDC)
- Reverse polarity protection
- Super bright 3W SMD LED
- IP Class: IP65
- Operating temperature: 0° C ~ 40 °C / 32 °F ~ 104 °F

### Technical Drawing



### Ordering Information

Model	Description
EL-7030AWP	Weather Proof Single LED Remote Head (Universal Voltage)



**Canada**  
25 Interchange Way Vaughan, ON L4K 5W3  
Telephone: (905) 660-4655 | Fax: (905) 660-4113

**U.S.A.**  
4575 Witmer Industrial Estates Niagara Falls, NY 14305  
Toll Free: (888) 660-4655 | Fax Toll Free: (888) 660-4113



**THIS INFORMATION IS FOR MARKETING PURPOSES ONLY AND NOT INTENDED TO DESCRIBE THE PRODUCTS TECHNICALLY.**

For complete and accurate technical information relating to performance, installation, testing and certification, refer to technical literature. This document contains intellectual property of Mircom. The information is subject to change by Mircom without notice. Mircom does not represent or warrant correctness or completeness. All rights reserved. All other trademarks and registered trademarks are properties of their respective owners.

[www.mircom.com](http://www.mircom.com)

CATALOG NUMBER **4151**

[mircom.com/emergency-lighting](http://mircom.com/emergency-lighting)





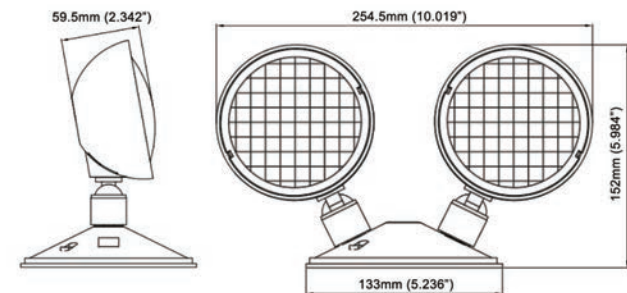
### Features

Power (W)	2 x 3W
Lamp Type	SMD LED
Input Voltage	3.6V - 24VDC
IP Class	IP65
Lumens	2x 200

### Description

- Suitable for use in wet locations
- High impact thermoplastic housing
- Clear polycarbonate lens for bright illumination
- UL-94V-0 flame rating, fire-retardant
- Wall and ceiling mounting
- Universal voltage LED remote compatible with any emergency lighting system (3.6-24 VDC)
- Reverse polarity protection
- Super bright 2x3W SMD LED
- IP Class: IP65
- Operating temperature: 0 °C ~ 40 °C / 32 °F ~ 104 °F

### Technical Drawing



### Ordering Information

Model	Description
EL-7030BWP	Weather Proof Double LED Remote Head (Universal Voltage)



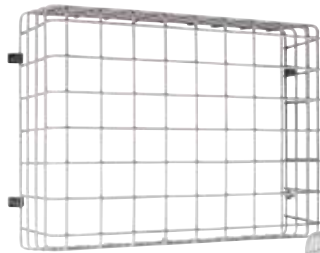
**Canada**  
 25 Interchange Way Vaughan, ON L4K 5W3  
 Telephone: (905) 660-4655 | Fax: (905) 660-4113

**U.S.A.**  
 4575 Witmer Industrial Estates Niagara Falls, NY 14305  
 Toll Free: (888) 660-4655 | Fax Toll Free: (888) 660-4113

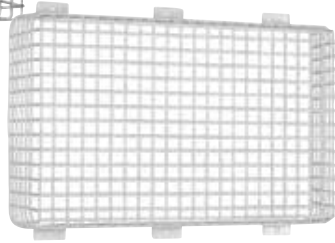


**THIS INFORMATION IS FOR MARKETING PURPOSES ONLY AND NOT INTENDED TO DESCRIBE THE PRODUCTS TECHNICALLY.**

For complete and accurate technical information relating to performance, installation, testing and certification, refer to technical literature. This document contains intellectual property of Mircom. The information is subject to change by Mircom without notice. Mircom does not represent or warrant correctness or completeness. All rights reserved. All other trademarks and registered trademarks are properties of their respective owners.



STI-9740



STI-9645

## Description

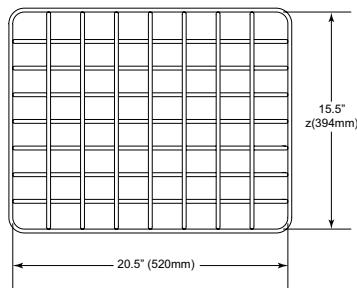
- Super tough construction
  - Protects against accidental damage
  - For indoor use
  - Fits most signs and emergency lights
  - Guards may reduce projected light values
- \*Verify correct emergency light requirements when using guard (NFPA 101 or local codes and ordinances).

## Features

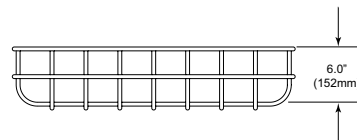
- 9 gauge coated white steel wire
- Fast and easy installation
- Flexible mounting options
- Hardware provided
- 3 year warranty
- Made in U.S.A.

## Dimensions

STI-9740

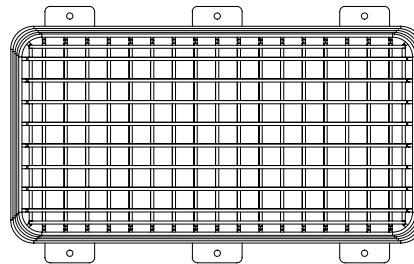


FRONT VIEW

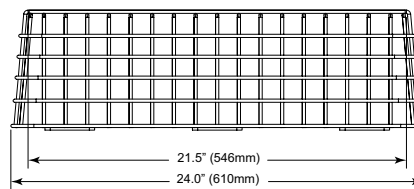


TOP VIEW

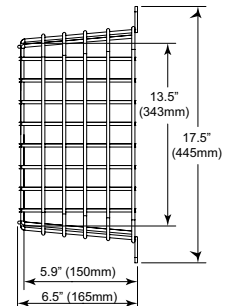
STI-9645



STI-9645 FRONT VIEW



STI-9645 SIDE VIEW



STI-9645 SIDE VIEW

## Ordering Information

Model	Description
STI-9740	Exit/Running Man Steel Cover Cage
STI-9645	Emergency Light Steel Cover Cage



**Canada**  
25 Interchange Way Vaughan, ON L4K 5W3  
Telephone: (905) 660-4655 | Fax: (905) 660-4113

**U.S.A.**  
4575 Witmer Industrial Estates Niagara Falls, NY 14305  
Toll Free: (888) 660-4655 | Fax Toll Free: (888) 660-4113



**THIS INFORMATION IS FOR MARKETING PURPOSES ONLY AND NOT INTENDED TO DESCRIBE THE PRODUCTS TECHNICALLY.**

For complete and accurate technical information relating to performance, installation, testing and certification, refer to technical literature. This document contains intellectual property of Mircom. The information is subject to change by Mircom without notice. Mircom does not represent or warrant correctness or completeness. All rights reserved. All other trademarks and registered trademarks are properties of their respective owners.

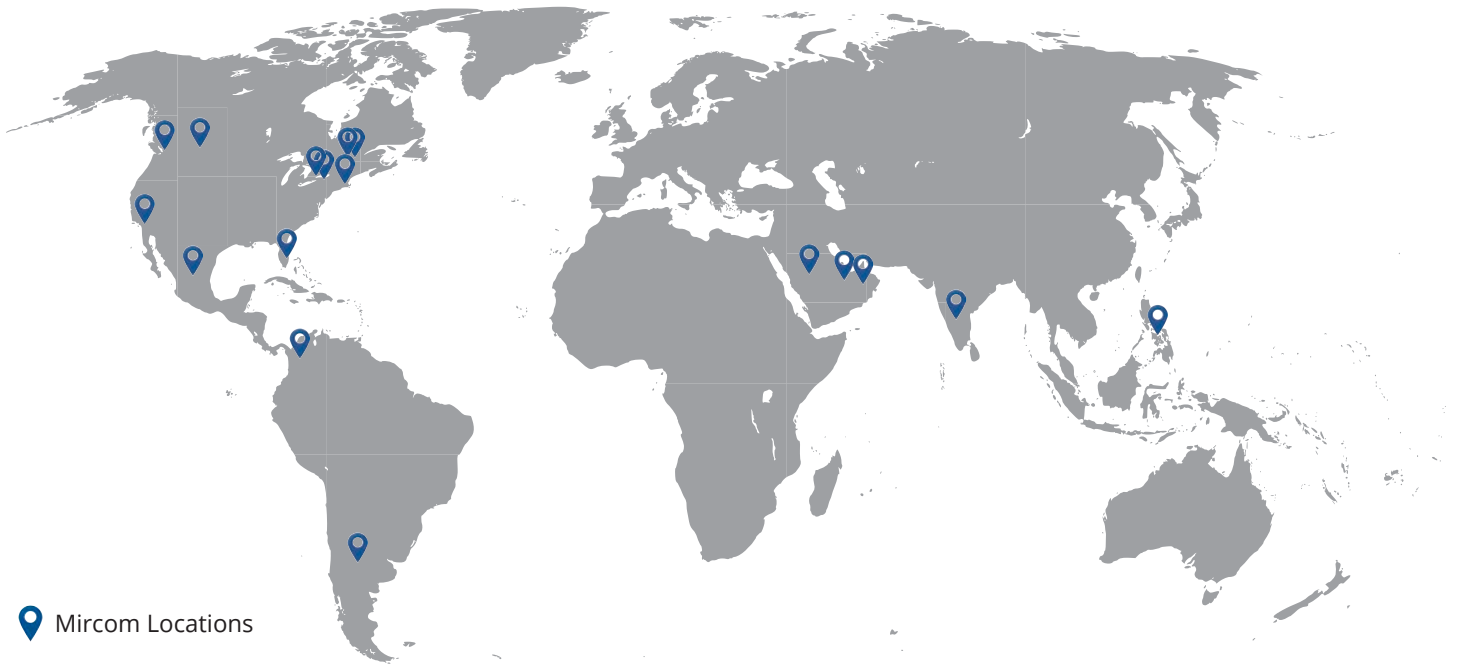
**CATALOG NUMBER 4165**


## WE SELL A WIDE RANGE OF LEAD-ACID BATTERIES INCLUDING DEEP CYCLE



### Ordering Information

Model	Description
BAT-6V5A	Sealed Lead Acid Battery, 6 Volt, 5.0 AH
BAT-6V7A	Sealed Lead Acid Battery, 6 Volt, 7.2 AH
BAT-6V12A	Sealed Lead Acid Battery, 6 Volt, 12.0 AH
BAT-12V1.2AH	Sealed Lead Acid Battery, 12 Volt, 1.2 AH
BAT-12V5A	Sealed Lead Acid Battery, 12 Volt, 5.0 AH
BAT-12V7A	Sealed Lead Acid Battery, 12 Volt, 7.2 AH
BAT-12V10A	Sealed Lead Acid Battery, 12 Volt, 10.0 AH
BAT-12V12A	Sealed Lead Acid Battery, 12 Volt, 12.0 AH
BAT-12V18A	Sealed Lead Acid Battery, 12 Volt, 18.0 AH
BAT-12V26A	Sealed Lead Acid Battery, 12 Volt, 26.0 AH
BAT-12V35A	Sealed Lead Acid Battery, 12 Volt, 35.0 AH
BAT-12V42A	Sealed Lead Acid Battery, 12 Volt, 42.0 AH
BAT-12V55A	Sealed Lead Acid Battery, 12 Volt, 55.0 AH
BAT-12V75A	Sealed Lead Acid Battery, 12 Volt, 75.0 AH
BAT-12V100A/DC	Sealed Lead Acid Battery, 12 Volt, 100 AH – Deep Cycle
BAT-12V200A/DC	Sealed Lead Acid Battery, 12 Volt, 200 AH – Deep Cycle



 Mircom Locations



### About the Mircom® Group of Companies

Founded in 1991, Mircom is a global designer, manufacturer and distributor of Intelligent Building Solutions. Reaching customers in over 100 countries worldwide, Mircom's portfolio includes: fire detection & alarm, communications & security, mass notification, nurse call, and building automation & smart technologies. Mircom's vision is to make buildings worldwide safer, smarter, and more livable.

Our global network of dedicated Sales and Service Offices, known as Mircom Engineered Systems, allows us to be a full solution provider. Through Mircom ES, we're able to provide and fully service our line-up of innovative and advanced solutions which are scalable to satisfy diverse user demands, from small & mid-size buildings to the world's most complex applications.

#### **CORPORATE/CANADA**

Tel: 888.660.4655

Fax: 888.660.4113

#### **USA**

Tel: 888.660.4655

Fax: 888.660.4113

#### **INTERNATIONAL**

Tel: 905.660.4655

Fax: 905.660.4113

[mircom.com/emergency-lighting](http://mircom.com/emergency-lighting)

This document is provided by Mircom Technologies Ltd., MGC Systems Corp., or their affiliates, subsidiaries and brands, for convenience or marketing only and does not describe products or services technically. For technical information refer to technical manuals. We do not make representations or warranties regarding this information, including as to completeness or accuracy. We may change these contents at any time and reserve all rights in the contents, including copyrights, trademarks and other intellectual property.

