

# AVN **W06-2P04W65G**

---

## **QUICK** START GUIDE

WEATHERPROOF PoE SWITCH

# TABLE OF CONTENTS

Products Introduction..... 1  
Hardware Installation ..... 2  
Connect Power Supply ..... 3  
Technical Specifications..... 4

# Product Introduction

AVN-W06-2P04W65G

Thank you for purchasing our networking products.

This product is an outdoor weatherproof full Gigabit PoE switch, equipped with 4 x 10/100/1000 Mbps RJ45 PoE ports and 2 x Gigabit SFP ports, ensuring full-speed forwarding for all ports. It features an ABS plastic outdoor weatherproof shell and is designed for pole installation. Its excellent performance makes it suitable for a wide range of applications, including wireless and surveillance systems.

## Front Panel



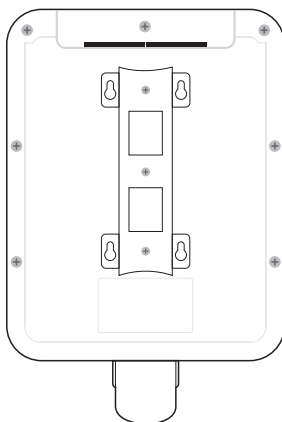
### LED Lamp

**Power LED:** The Power LED lights up when the switch is connected to a power source.

**Link/Act indicator:** the light indicates the network connection through the corresponding port. Flicker indicates that the switch is sending or receiving data

**PoE indicator:** constant brightness indicates that the PD device is connected to the corresponding port, and extinguished indicates that the port is not powered or no PD device is found.

## Rear Panel



The back is composed of mounting brackets, which can be used for wall-mounting and pole-mounting.

# Hardware Installation

AVN-W06-2P04W65G

This chapter provides unpacking and installation information for the Switch.

## Open a Seal

Open the shipping carton and carefully unpack its contents. Please consult the packing list located in the User Manual to make sure all items are present and undamaged. If any item is missing or damaged, please contact the local reseller for replacement.

● → Switch 1pcs

● → User's manual 1pcs

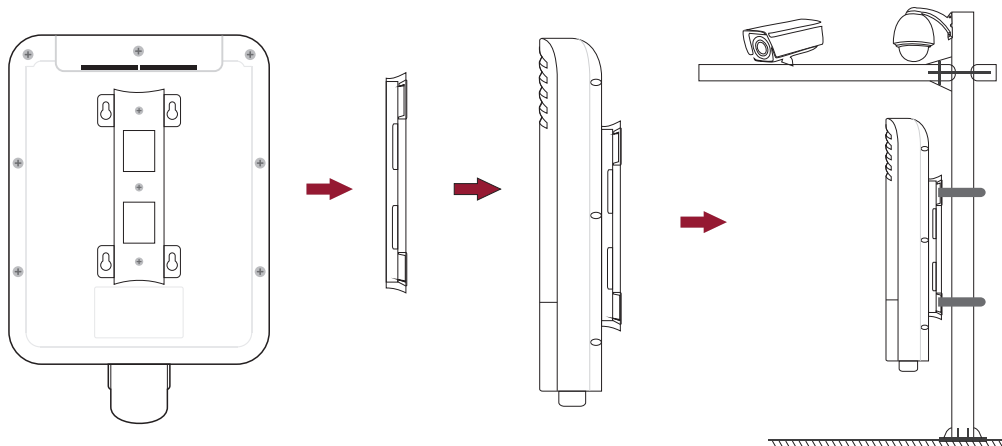
● → Power cord 1pcs

## Switch Installation

For safe switch installation and operation, it is recommended that you:

- → Visually inspect the power cord to see that it is secured fully to the AC power connector
- → Make sure that there is proper heat dissipation and adequate ventilation around the switch.
- → Do not place heavy objects on the switch

## Pole Mount Installation



# Connect Power Supply

AVN-W06-2P04W65G

The power connection uses a quick-plug terminal block connector. It is recommended that the user use a cable with a current capacity of more than 6A.

**Warning:** When connecting to the power supply system, please pay attention to the polarity marks of the interface avoid connection errors.

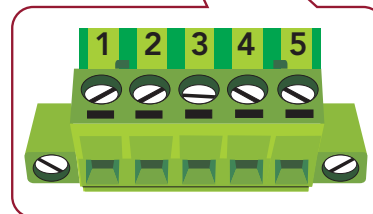
**The terminal block connector the of is used for power input. Please follow the steps below to insert the power wire:**

- 1: Insert two power lines into the hole at the end side of the connection.
- 2: Tighten the screw above the connection end clockwise with a screwdriver, for preventing the power line from losing
- 3: The other end of the power line is connected to the power supply system.




1	2	3	4	5
L	NC	N	NC	Ground

The wire gauge for the terminal block should be in the range between 12 ~ 24 AWG.



**Power Input:** Supports input voltages 100-240VAC, 50/60Hz.

**Grounding:** use specialized ground lead connect 

# Technical Specifications

AVN-W06-2P04W65G

Project	Describe
<b>Attributes</b>	
Networking Interfaces	4 x 10/100 Mbps RJ45 Ethernet Ports 2 x 1Gbps SFP Ports
LED Indicators	Power, Link/Act, PoE
<b>Performance</b>	
Switching Capacity	12 Gbps
Forwarding Capacity	8.93 Mbps
Forwarding Mode	Store and Forward
Packet Buffer Memory	2 Mbit
MAC Address Table	8K
<b>Physical</b>	
Dimensions	295mmx206mmx50mm
Operating Temperature	0 to 40°C
Storage Temperature	-10 to 75°C
Operating Humidity	5 to 95% Noncondensing
Power Method	100~240VAC, 50/60Hz
Power Consumption	5w
Power Method	ABS Plastic
Installation	Holding pole installation
<b>Power Over Ethernet</b>	
PoE Ports	4
PoE Standard	IEEE802.3af / IEEE802.3at
PoE Power Budget	65W
Max. PoE Wattage per Port	30W
PoE Voltage	52V
PoE Pin Assignment	V- (RJ45 Pin1,2), V+ (RJ45 Pin 3,6)

The AVYCON logo is centered on the page. It features the word "AVYCON" in a bold, sans-serif font. The "AVY" portion is rendered in a dark red color, while the "CON" portion is in black. A registered trademark symbol (®) is positioned to the upper right of the "N". The background consists of several overlapping, glowing white circular arcs on a light gray gradient, creating a sense of depth and motion.

**AVYCON**®



Copyright © AVYCON. All rights reserved. Specifications and pricing are subject to change without notice.

**phone:** 949-752-7606  
**email:** [info@avycon.com](mailto:info@avycon.com)  
**social:** [@avycon\\_ainvo](#)  
**website:** [avycon.com](http://avycon.com)