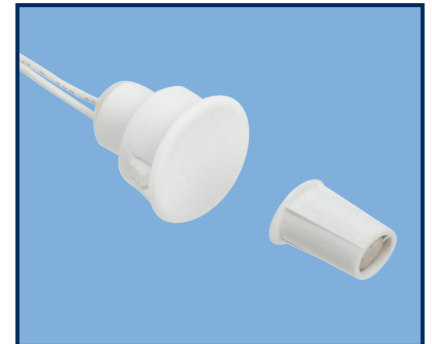


DESCRIPTION

Nascom's N1178C 1175 Series is a 3/4" recessed stubby door contact designed for residential, commercial and industrial steel and wood door applications. The 3/8" press fit mini magnet provides installation flexibility where gap is not an issue.

The N1178C 1175 is the installer's choice of contact configuration because the contact set is designed to cut installation times and helps to prevent false alarms caused by shifting or warping doors.

The N1178C 1175 Series is designed for installation in every type of hinged door including wood doors.



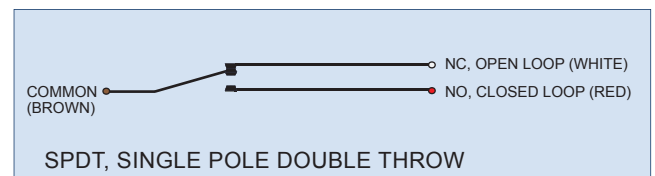
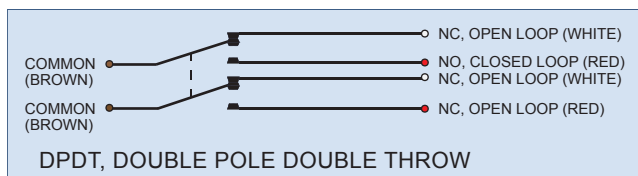
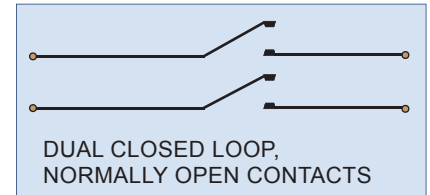
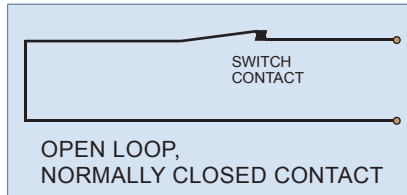
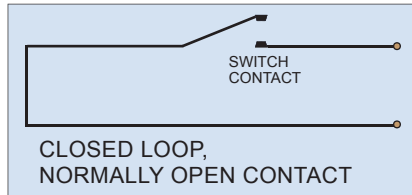
FEATURES

- SNAP FIT ON STEEL - NO GLUE REQUIRED
- 12" 22AWG WIRE LEADS
- N35 NdFeB RARE EARTH MAGNET
- ENCAPSULATED HERMETICALLY SEALED CONTACTS
- POLYPROPYLENE HOUSINGS
- LISTED TO UL634 STANDARD

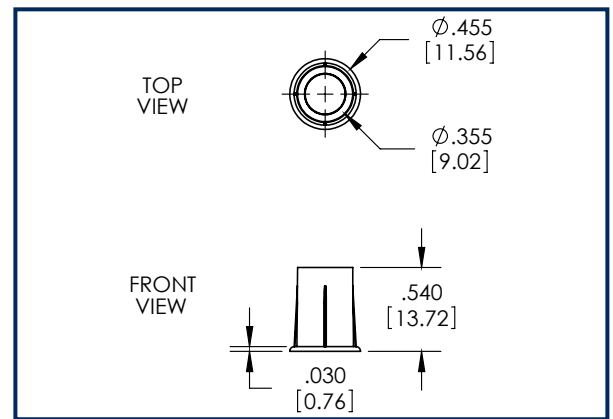
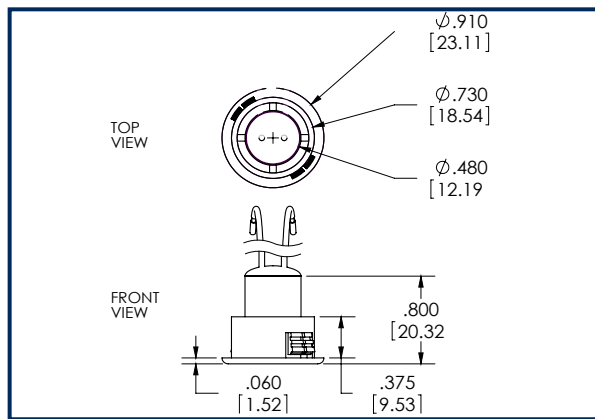
ORDERING INFORMATION

PART NUMBER	COLOR	OPERATE GAP (in inches)	CONTACT RATING (Max DC/Peak AC Resistive)				STATIC CONTACT RESISTANCE (50mV, 100mA)
			SWITCHING		CARRY		
			V	I	V	I	
CLOSED LOOP, NORMALLY OPEN, 1FA, SWITCH/MAGNET SET:							
N1178C1175B/ST N1178C1175G/ST N1178C1175T/ST N1178C1175W/ST	BROWN GREY TAN WHITE	0.50 to 0.875	200 VDC	0.5 Amps	10vA	1.5 Amps	150 mOhms
DUAL CLOSED LOOP, NORMALLY OPEN, 1FA, SWITCH/MAGNET SET:							
N1178C1175B/ST2CR N1178C1175G/ST2CR N1178C1175T/ST2CR N1178C1175W/ST2CR	BROWN GREY TAN WHITE	0.50 to 0.875	200 VDC	0.5 Amps	10vA	1.5 Amps	150 mOhms
OPEN LOOP, NORMALLY CLOSED, 1FB, SWITCH/MAGNET SET:							
N1178C1175B/STFB N1178C1175G/STFB N1178C1175T/STFB N1178C1175W/STFB	BROWN GREY TAN WHITE	0.375 to 0.875	30 VDC	0.2 Amps	3vA	0.5 Amps	150 mOhms
SINGLE POLE DOUBLE THROW, SWITCH/MAGNET SET:							
N1178C1175B/STSD N1178C1175G/STSD N1178C1175T/STSD N1178C1175W/STSD	BROWN GREY TAN WHITE	0.375 to 0.875	30 VDC	0.2 Amps	3vA	0.5 Amps	150 mOhms
DOUBLE POLE DOUBLE THROW, SWITCH/MAGNET SET:							
N1178C1175B/STDD N1178C1175G/STDD N1178C1175T/STDD N1178C1175W/STDD	BROWN GREY TAN WHITE	0.375 to 0.875	30 VDC	0.2 Amps	3vA	0.5 Amps	150 mOhms
HIGH SECURITY, NORMALLY OPEN, 1FA, SWITCH/MAGNET SET:							
N1178C1175B/STHS N1178C1175G/STHS N1178C1175T/STHS N1178C1175W/STHS	BROWN GREY TAN WHITE	0.1875 to 0.5000	300 VDC	0.25 Amps	10vA	0.25 Amps	150 mOhms initial

WIRING SCHEMATIC



DIMENSIONS - IN [mm]



INSTALLATION INSTRUCTIONS

- Mark the desired location for the switch and magnet on the top edge of the door and door frame making sure your marks are in alignment.
- Using a square, transfer the marks on to the top edge of the door and the opposing door frame.
- Using a tape measure or graduations on the square, locate the center of the door edge and place an intersecting line with the first mark. Drill a 3/8" hole at the location where the marks intersect.
- Repeat the above step to locate the hole position for the switch in the door frame. Drill a 3/4" hole in the door frame.
- Apply adhesive or RTV to the end of the magnet and press the magnet into the hole you drilled in the door until flush with top edge of door.
- Connect the switch leads to the alarm system. **Caution!** Hold wire leads, not the switch housing while cutting and stripping to prevent damage to switch.
- Insert wire leads into hole followed by the switch and press the switch into the hole until the head is flush with the door frame.
- Test system for correct operation.

PART NUMBER SYSTEM

