

NOTES:
 1. MATERIAL OF CONSTRUCTION IS 304 SS, BRUSHED #4.

PEDESTALPRO.COM
 1-800-660-3072

UNLESS OTHERWISE SPECIFIED:
 DIMENSIONS ARE IN INCHES
 TOLERANCES:
 FRACTIONAL $\pm 1/32$
 ANGULAR: $\pm 2^\circ$
 TWO PLACE DECIMAL ± 0.010
 THREE PLACE DECIMAL ± 0.005

INTERPRET GEOMETRIC
 TOLERANCING PER:
 ASME Y14.5 -2009

NAME	DATE
DRAWN	
CHECKED	

PROPRIETARY AND CONFIDENTIAL
 THE INFORMATION CONTAINED IN THIS
 DRAWING IS THE SOLE PROPERTY OF
 PEDESTALPRO LLC. ANY REPRODUCTION
 IN PART OR AS A WHOLE WITHOUT THE
 WRITTEN PERMISSION OF PEDESTALPRO LLC
 IS PROHIBITED.

TITLE:
INSTALLATION

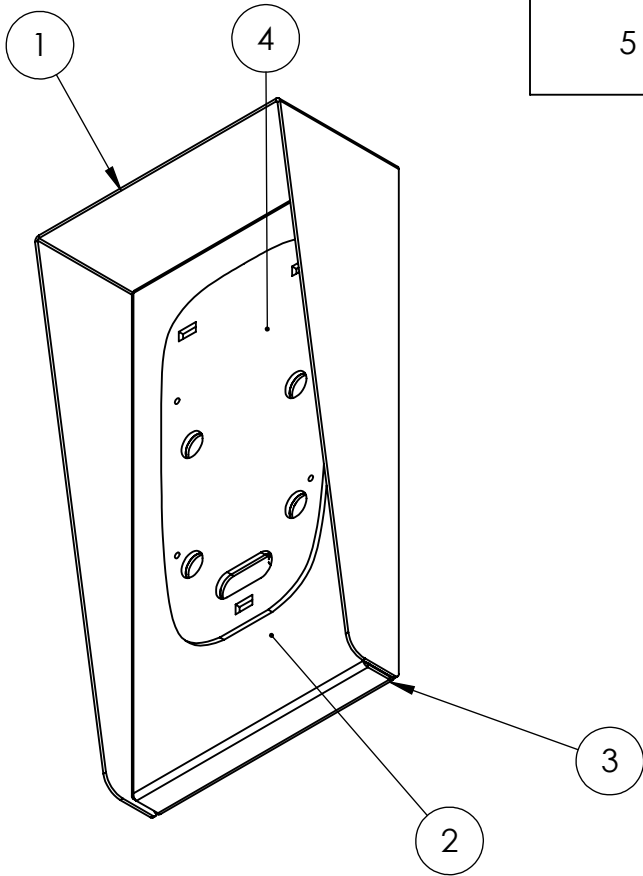
Thursday, September
 13, 2018 1:05:51 PM

WEIGHT: 7.977

SIZE	PART NO.	REV
A	713HOO-BUT-01-304	0

NO SCALE SHEET 1 OF 7

ITEM NO.	PART NUMBER	DESCRIPTION	QTY.
1	713HOO-BUT-01-304 HOOD	HOOD ASSEMBLY	1
2	713HOO-BUT-01-304 MID PLATE	MOUNTING PLATE	1
3	713HOO-BUT-01-304 BACK PLATE	BACK PLATE	1
4	8IN MONARCH FACE PLATE		1
5	--	316 STAINLESS STEEL ULTRA-LOW-PROFILE SOCKET HEAD SCREW 8-32 X 5/16"	4



NOTES:

1. SEE STANDARD PREPARATION AND COATING INSTRUCTIONS FOR COATING PROCEDURE AND COLOR.
2. SEE STANDARD PACKAGING INSTRUCTIONS FOR PACKAGING PROCEDURE.

UNLESS OTHERWISE SPECIFIED:	NAME	DATE
DIMENSIONS ARE IN INCHES	DRAWN	
TOLERANCES:	CHECKED	
FRACTIONAL $\pm 1/32$	PROPRIETARY AND CONFIDENTIAL	
ANGULAR: $\pm 2^\circ$	THE INFORMATION CONTAINED IN THIS DRAWING IS THE SOLE PROPERTY OF PEDESTALPRO LLC. ANY REPRODUCTION IN PART OR AS A WHOLE WITHOUT THE WRITTEN PERMISSION OF PEDESTALPRO LLC IS PROHIBITED.	
TWO PLACE DECIMAL ± 0.010		
THREE PLACE DECIMAL ± 0.005		
INTERPRET GEOMETRIC TOLERANCING PER: ASME Y14.5 -2009		

TITLE:			ASSEMBLY		
Thursday, September 13, 2018 1:05:51 PM		SIZE	PART NO.	REV	
		A	713HOO-BUT-01-304	0	
WEIGHT: 7.977		NO SCALE		SHEET 2 OF 7	

PEDESTALPRO.COM
1-800-660-3072