

NOTES:

1. MATERIAL OF CONSTRUCTION IS 304 SS BRUSHED TO A #4 FINISH.
2. MOUNTS MVI KEYCOM LITE FLUSH MOUNT.



PEDESTALPRO.COM
1-800-660-3072

UNLESS OTHERWISE SPECIFIED:

DIMENSIONS ARE IN INCHES
TOLERANCES:
FRACTIONAL $\pm 1/32$
ANGULAR: $\pm 2^\circ$
TWO PLACE DECIMAL ± 0.010
THREE PLACE DECIMAL ± 0.005

INTERPRET GEOMETRIC
TOLERANCING PER:
ASME Y14.5 -2009

NAME	DATE
DRAWN	
CHECKED	

PROPRIETARY AND CONFIDENTIAL

THE INFORMATION CONTAINED IN THIS
DRAWING IS THE SOLE PROPERTY OF
PEDESTALPRO LLC. ANY REPRODUCTION
IN PART OR AS A WHOLE WITHOUT THE
WRITTEN PERMISSION OF PEDESTALPRO LLC
IS PROHIBITED.

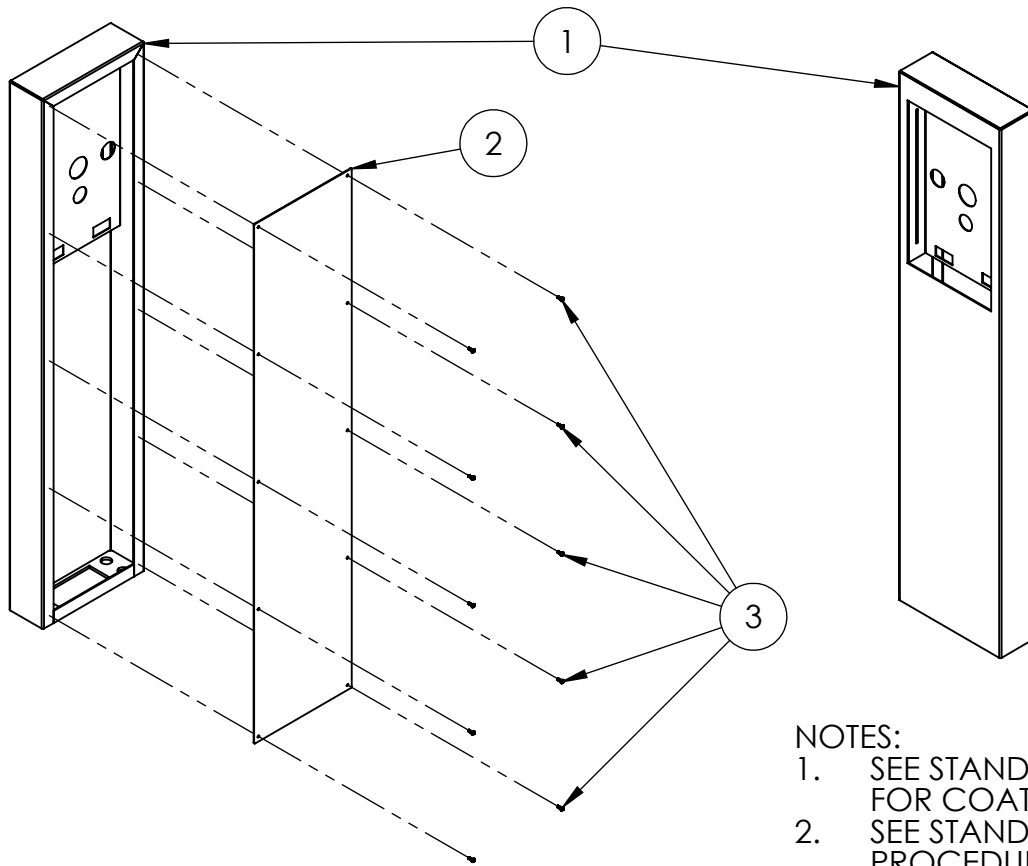
TITLE:
INSTALLATION

Wednesday, October
31, 2018 11:52:18 AM

WEIGHT:

SIZE	PART NO.	REV
A	124TOW-MVI-002-304	A
NO SCALE		SHEET 1 OF 9

ITEM NO.	PART NUMBER	DESCRIPTION	QTY.
1	124TOW-MVI-002-304 BODY	304SS TOWER WELDMENT	1
2	124TOW-MVI-002-304 DOOR	304SS ACCESS DOOR	1
3	--	8-32 SS BUTTON HEAD SCREW	10



NOTES:

1. SEE STANDARD PREPARATION AND COATING INSTRUCTIONS FOR COATING PROCEDURE AND COLOR.
2. SEE STANDARD PACKAGING INSTRUCTIONS FOR PACKAGING PROCEDURE.



PEDESTALPRO.COM
1-800-660-3072

UNLESS OTHERWISE SPECIFIED:

DIMENSIONS ARE IN INCHES
TOLERANCES:
FRACTIONAL $\pm 1/32$
ANGULAR: $\pm 2^\circ$
TWO PLACE DECIMAL ± 0.010
THREE PLACE DECIMAL ± 0.005

INTERPRET GEOMETRIC
TOLERANCING PER:
ASME Y14.5 -2009

NAME DATE

DRAWN

CHECKED

PROPRIETARY AND CONFIDENTIAL

THE INFORMATION CONTAINED IN THIS
DRAWING IS THE SOLE PROPERTY OF
PEDESTALPRO LLC. ANY REPRODUCTION
IN PART OR AS A WHOLE WITHOUT THE
WRITTEN PERMISSION OF PEDESTALPRO LLC
IS PROHIBITED.

TITLE:

ASSEMBLY

Wednesday, October
31, 2018 11:52:18 AM

WEIGHT:

SIZE
A

PART NO.

124TOW-MVI-002-304

NO SCALE

REV
A

SHEET 2 OF 9