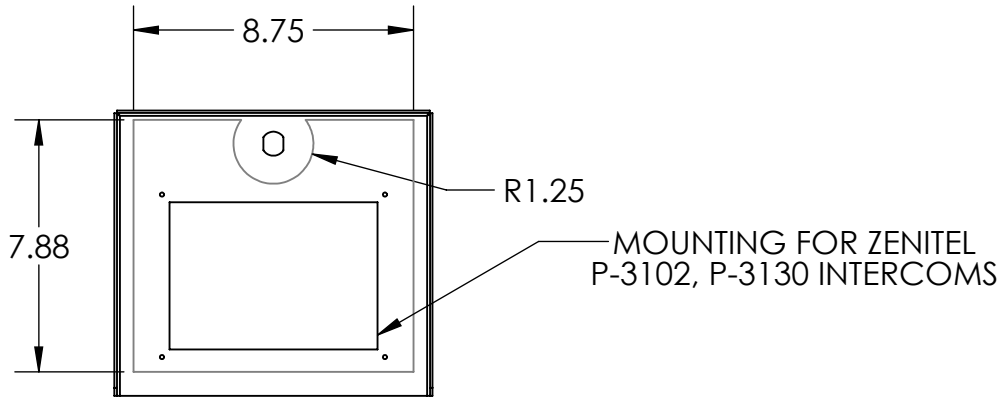
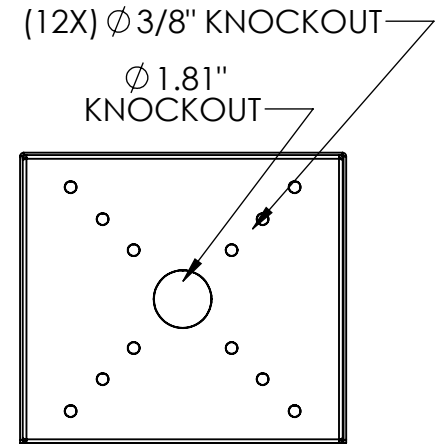
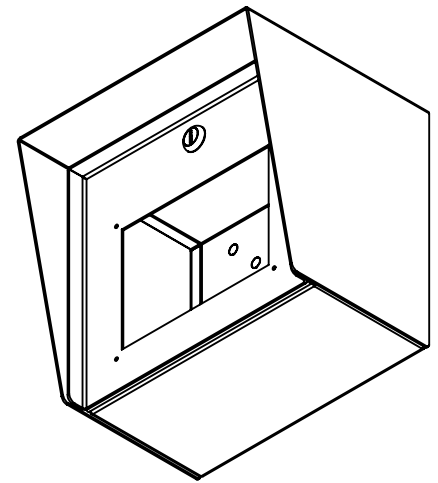


SECTION A-A



AVAILABLE CUTOUT AREA



NOTES:

1. MATERIAL OF CONSTRUCTION IS 304 SS, BRUSHED #4.



PEDESTALPRO.COM
1-800-660-3072

UNLESS OTHERWISE SPECIFIED:

DIMENSIONS ARE IN INCHES
TOLERANCES:
FRACTIONAL: $\pm 1/32$
ANGULAR: $\pm 2^\circ$
TWO PLACE DECIMAL: ± 0.010
THREE PLACE DECIMAL: ± 0.005

INTERPRET GEOMETRIC
TOLERANCING PER:
ASME Y14.5 -2009

NAME	DATE
DRAWN	
CHECKED	

PROPRIETARY AND CONFIDENTIAL
THE INFORMATION CONTAINED IN THIS DRAWING IS THE SOLE PROPERTY OF PEDESTALPRO LLC. ANY REPRODUCTION IN PART OR AS A WHOLE WITHOUT THE WRITTEN PERMISSION OF PEDESTALPRO LLC IS PROHIBITED.

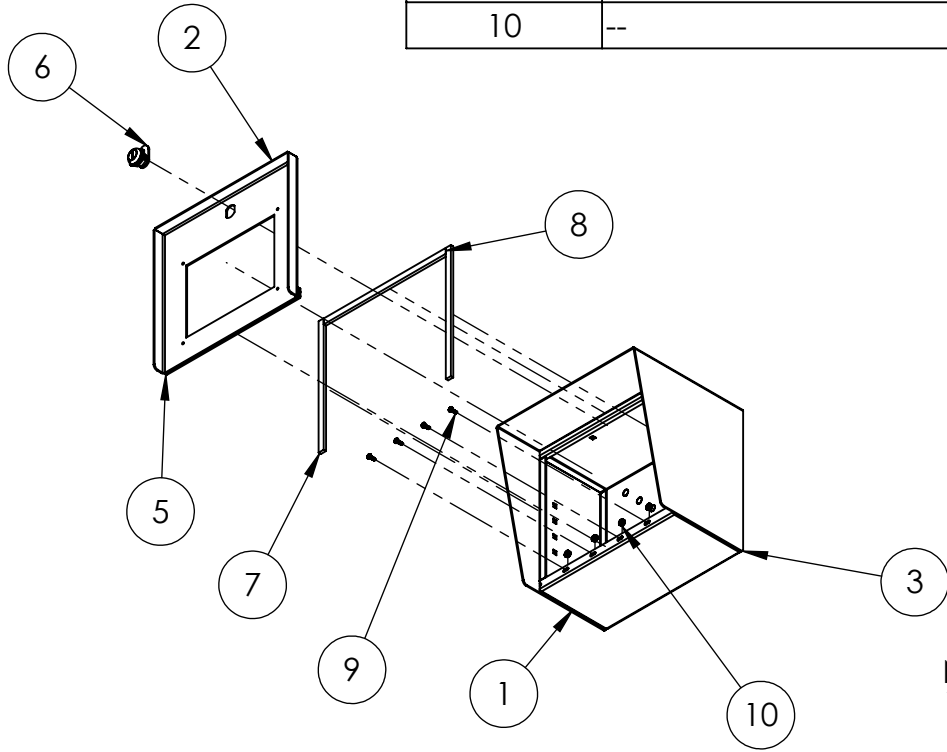
TITLE:
INSTALLATION

Tuesday, April 4, 2023
9:04:06 AM

WEIGHT: 13.017

SIZE	PART NO.	REV
A	109HOU-ZENI-01-304	A
NO SCALE		SHEET 1 OF 7

ITEM NO.	PART NUMBER	DESCRIPTION	QTY.
1	109HOU-ZENI-01-304 ENCLOSURE	ENCLOSURE WELDMENT	1
2	109HOU-ZENI-01-304 DOOR	DOOR WELDMENT	1
3	109HOU-ZENI-01-304 HOOD	HOOD	1
4	109HOU-ZENI-01-304 ENCLOSURE WALL	ENCLOSURE WALL	2
5	HINGE	PIANO HINGE	1
6	CAM LOCK	STRAIGHT CAM	1
7	GASKET SIDE	3/8" X .150 WEATHERSTRIPPING	2
8	GASKET TOP	3/8" X .150 WEATHERSTRIPPING	1
9	--	6-32 SS PAN HEAD SCREW	4
10	--	6-32 EXTERNAL TOOTH LOCK NUT	4



NOTES:

1. SEE STANDARD PREPARATION AND COATING INSTRUCTIONS FOR COATING PROCEDURE AND COLOR.
2. SEE STANDARD PACKAGING INSTRUCTIONS FOR PACKAGING PROCEDURE.



PEDESTALPRO.COM
1-800-660-3072

UNLESS OTHERWISE SPECIFIED:

DIMENSIONS ARE IN INCHES
TOLERANCES:
FRACTIONAL $\pm 1/32$
ANGULAR: $\pm 2^\circ$
TWO PLACE DECIMAL ± 0.010
THREE PLACE DECIMAL ± 0.005

INTERPRET GEOMETRIC
TOLERANCING PER:
ASME Y14.5 -2009

NAME	DATE
DRAWN	
CHECKED	

PROPRIETARY AND CONFIDENTIAL
THE INFORMATION CONTAINED IN THIS DRAWING IS THE SOLE PROPERTY OF PEDESTALPRO LLC. ANY REPRODUCTION IN PART OR AS A WHOLE WITHOUT THE WRITTEN PERMISSION OF PEDESTALPRO LLC IS PROHIBITED.

TITLE:
ASSEMBLY

Tuesday, April 4, 2023
9:04:06 AM

WEIGHT: 13.017

SIZE	PART NO.	REV
A	109HOU-ZENI-01-304	A
NO SCALE		SHEET 2 OF 7