

## Safety

### Caution!

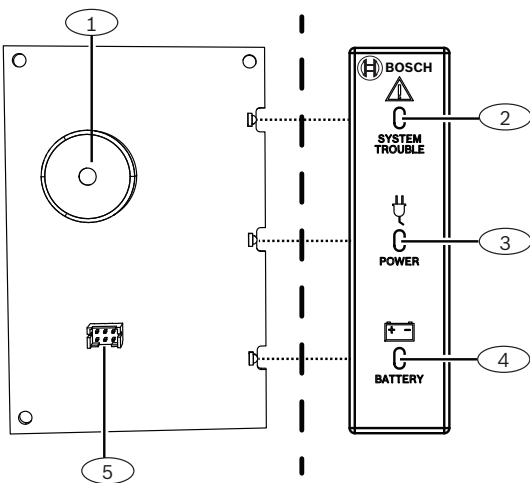


Remove all power (AC and battery) before making any connections. Failure to do so might result in personal injury and/or equipment damage.

## Short information

This device is an optional module that uses audio and LEDs to show System Trouble, Power, and Battery status through a knockout on select enclosure doors.

## System overview



|   |                        |   |                    |
|---|------------------------|---|--------------------|
| 1 | Sounder                | 2 | SYSTEM TROUBLE LED |
| 3 | POWER LED              | 4 | BATTERY LED        |
| 5 | B46 to B465 connection |   |                    |

## Installation

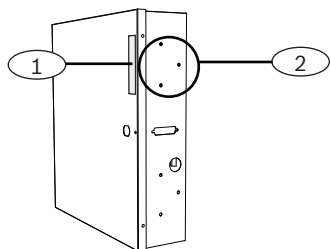
### Removing enclosure knockouts



#### Notice!

Remove all designated knockouts before installing the N46.

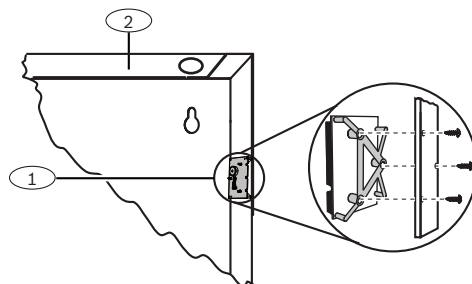
- Strike the four corners of the enclosure door knockout using a slotted screw driver.
- Use a punch-out tool to remove the 3-hole pattern knockouts.



|   |                        |   |                             |
|---|------------------------|---|-----------------------------|
| 1 | B46 LED cover knockout | 2 | B46 3-hole pattern knockout |
|---|------------------------|---|-----------------------------|

### Installing into an enclosure

- Install the 3 screws inside the upper-right side of the enclosure.
- Attach the screws to the mounting bracket.
- Install the lock set into the enclosure door knockout.
- Install the plastic LED cover into the enclosure door.



|   |     |   |           |
|---|-----|---|-----------|
| 1 | B46 | 2 | Enclosure |
|---|-----|---|-----------|

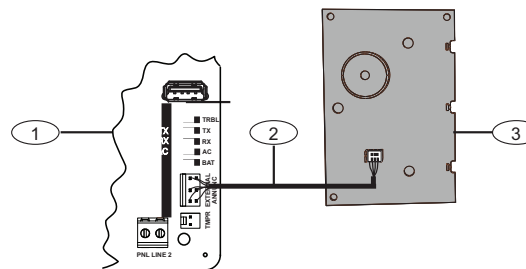
### Wiring the B46 to a module



#### Notice!

Make sure to install the cable with the black portion of the cable towards the back of the port.

- Install one end of the B46 cable into the B46 port.
- Install the other end of the B46 into the module's port.



|   |                     |   |                             |
|---|---------------------|---|-----------------------------|
| 1 | Module (B465 shown) | 2 | B46 module cable (included) |
| 3 | B46                 |   |                             |

### Piezo (audible) operation

The piezo emits sound when the B465 has the following conditions:

- Low or missing battery
- No AC present
- No routing information configured
- Checksum or Memory errors

## Technical data



#### Notice!

Go to [www.boschsecurity.com](http://www.boschsecurity.com) for translated installation guides.

## Certifications

| Region | Certification                                                          |
|--------|------------------------------------------------------------------------|
| US     | UL 365 - Police Station Connected Burglar Alarm Units and Systems      |
|        | UL 609 - Local Burglar Alarm Units and Systems                         |
|        | UL 636 - Holdup Alarm Units and Systems                                |
|        | UL 864 - Controls and Accessories for Fire Alarm Systems               |
|        | UL 985 - Household Fire Warning System Units                           |
|        | UL 1023 - Household Burglar-Alarm System Units                         |
|        | UL 1076 - Proprietary Burglar Alarm Units and Systems                  |
|        | UL 1610 - Central Station Burglar Alarm Units                          |
|        | UL 1635 - Digital Alarm Communicator System Units                      |
|        | FCC Part 15 Class B                                                    |
|        | Fire Department of New York (FDNY) - Certified                         |
| Canada | CAN/ULC S303 - Local Burglar Alarm Units and Systems                   |
|        | CAN/ULC S304 - Signal Receiving Centre and Premise Alarm Control Units |
|        | ULC S545 - Residential Fire Warning System Control Units               |
|        | ULC-ORD C1023 - Household Burglar Alarm System Units                   |
|        | ULC-ORD C1076 - Proprietary Burglar Alarm Units and Systems            |
|        | ICES-003 - Digital Apparatus                                           |

## Specifications

### Properties

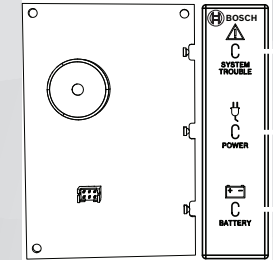
|            |                                                      |
|------------|------------------------------------------------------|
| Dimensions | 5.5 in x 4.1 in x 1.7 in<br>(140 mm x 105 mm x 44mm) |
|------------|------------------------------------------------------|

### Environmental considerations

|                         |                                |
|-------------------------|--------------------------------|
| Relative humidity       | 5% to 93% at +32°C (+90°F)     |
| Temperature (operating) | 0°C to +49°C (+32°F to +120°F) |

**External Annunciator**

B46



en Quick installation guide

**Bosch Security Systems B.V.**Torenallee 49  
5617 BA Eindhoven  
Netherlands[www.boschsecurity.com](http://www.boschsecurity.com)

© Bosch Security Systems B.V., 2021

|                         |                                |
|-------------------------|--------------------------------|
| Mounting considerations | Mount in dry indoor locations. |
|-------------------------|--------------------------------|

**Power requirements**

|                     |                                |
|---------------------|--------------------------------|
| Current             | Standby: 23 mA<br>Alarm: 23 mA |
| Voltage (operating) | 12 VDC nominal                 |

**Wiring**

|        |                             |
|--------|-----------------------------|
| Wiring | B46 module cable (included) |
|--------|-----------------------------|

## 2 | Specifications

|                                     |                                                     |
|-------------------------------------|-----------------------------------------------------|
| Dimensions                          | 37 cm x 32 cm x 8.9 cm (14.5 in x 12.5 in x 3.5 in) |
| Color                               | White                                               |
| Compatible Lockset (optional)       | D101 Lock and Key Set                               |
| Compatible Tamper Switch (optional) | ICP-EZTS Tamper Switch<br>D110 Tamper Switch        |
| Material                            | 1.0 mm (20 gauge) cold-rolled steel                 |

DE-de: Für Dokumentation in Ihrer Sprache, klicken Sie hier <https://de.boschsecurity.com/de>  
El-gr: Μεταβείτε στη διεύθυνση <https://gr.boschsecurity.com/el/> για την τεκμηρίωση σε αυτήν τη γλώσσα.  
Es-es: Visite <https://es.boschsecurity.com/es/> para obtener documentación en este idioma.  
Fr-fr: Accédez à l'adresse <https://fr.boschsecurity.com/fr/> pour obtenir la documentation dans cette langue.  
Hu-hu: A honosított dokumentációt lásd a <https://hu.boschsecurity.com/hu/> oldalon.  
It-it: Andare a <https://it.boschsecurity.com/it/> per la documentazione in questa lingua.  
Nl-nl: Voor de documentatie in uw taal, ga naar <https://www.boschsecurity.com/nl/nl>  
Pl-pl: Dokumentacja w tym języku znajduje się w witrynie <https://pl.boschsecurity.com/pl/>  
Pt-br: Acesse <http://pt.boschsecurity.com/pt/> para obter a documentação neste idioma.  
SE-sv: For documentation in this language, go to <https://www.boschsecurity.com/xn/en/>

### Reading Bosch Security Systems, Inc. Product Date Codes

For Product Date Code information, refer to the Bosch Security Systems, Inc. Web site at: <http://www.boschsecurity.com/datecodes/>.



## Medium Control Panel Enclosure B10

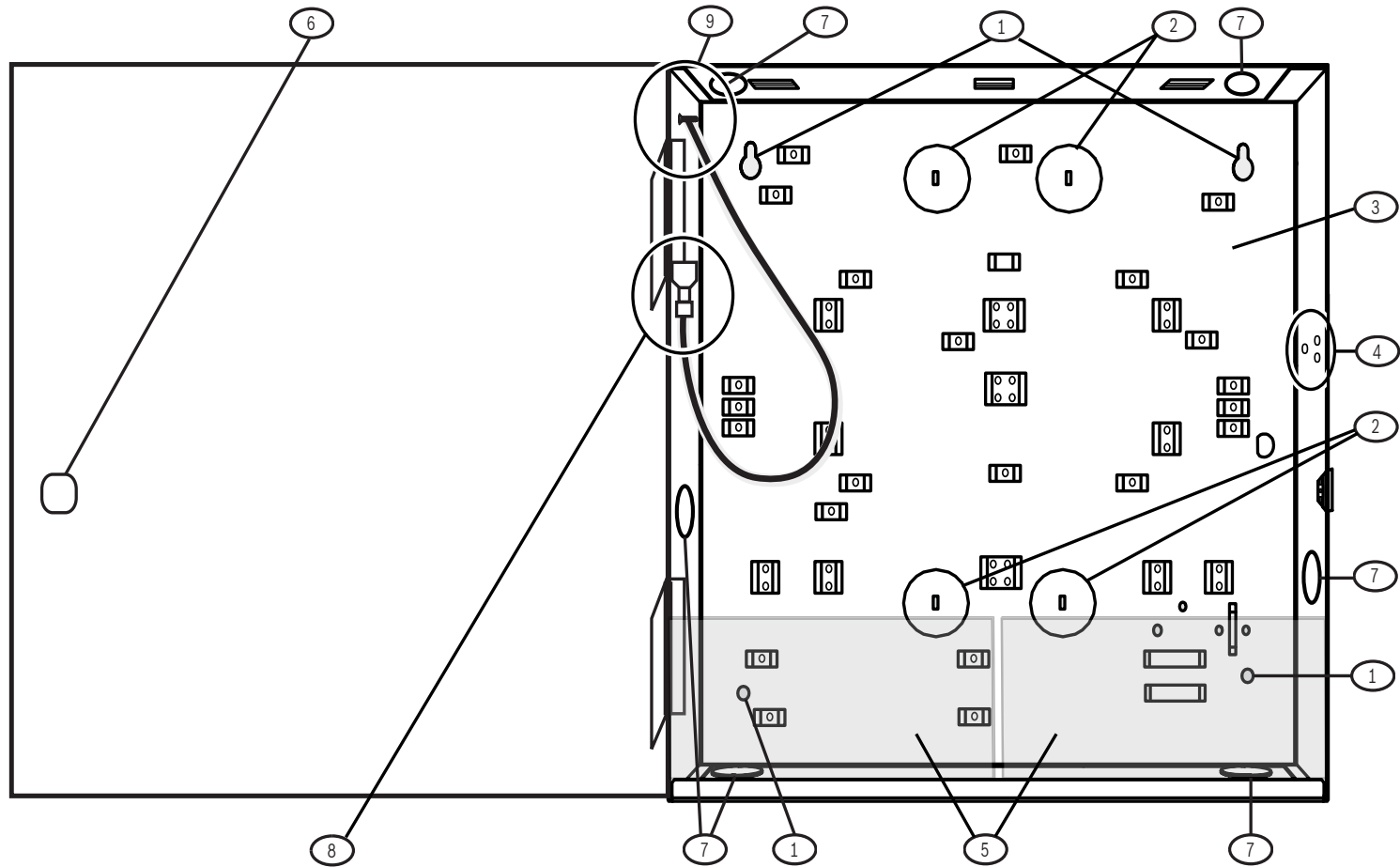


en Installation Guide

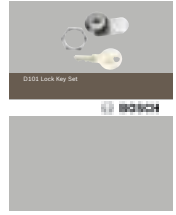
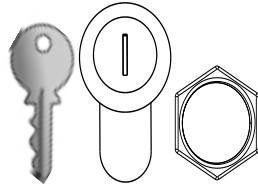
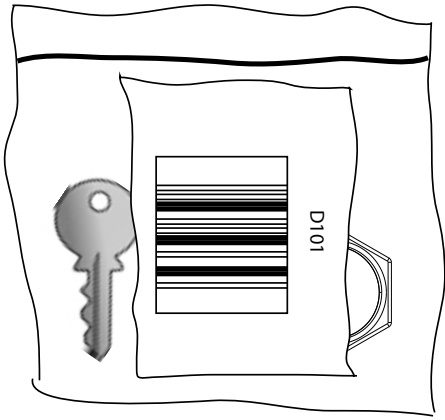


## 1 | Overview

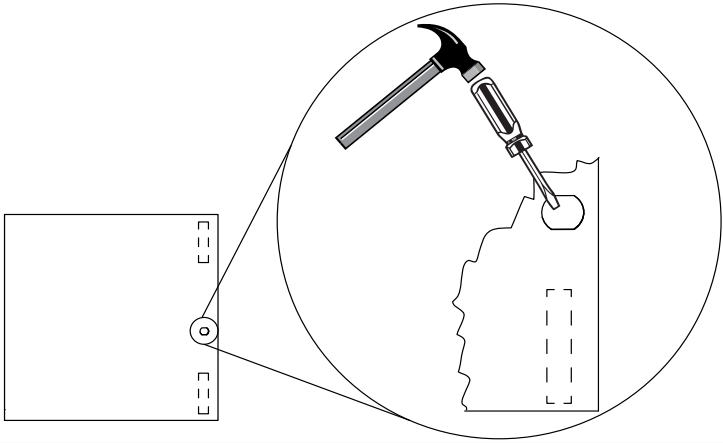
This enclosure is compatible with select Bosch intrusion products, and can hold up to two batteries.



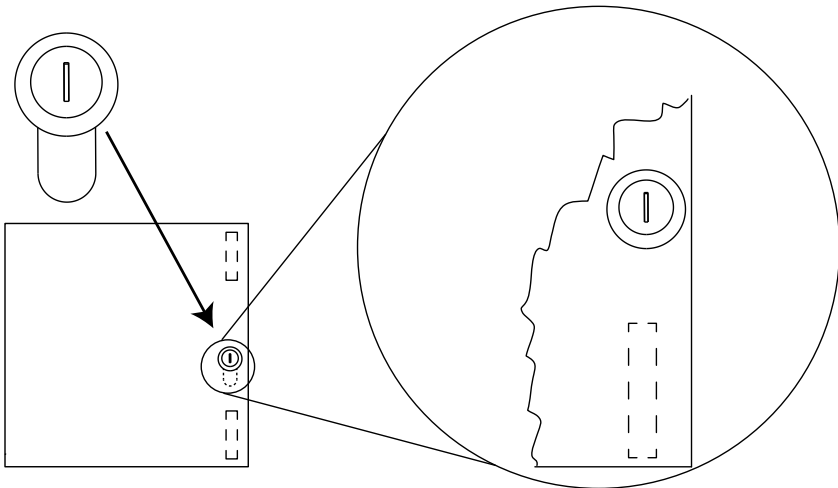
| Callout | Description                                                                                  |
|---------|----------------------------------------------------------------------------------------------|
| 1       | Enclosure mounting holes (4). Bosch recommends using #10 screws and wall anchors to install. |
| 2       | Wire knockouts (4)                                                                           |
| 3       | Control panel mounting location                                                              |
| 4       | Tamper switch mounting location                                                              |
| 5       | Battery mounting location (up to 2 - 7Ah batteries)                                          |
| 6       | Lockset mounting location                                                                    |
| 7       | Conduit knockouts (6) 4 - 12.7mm (1/2in), 2 - 19.05mm (3/4 in)                               |
| 8       | Grounding (bonding) connection to enclosure door                                             |
| 9       | Grounding (bonding) connection for door only. Do not connect any other wires to this lug.    |

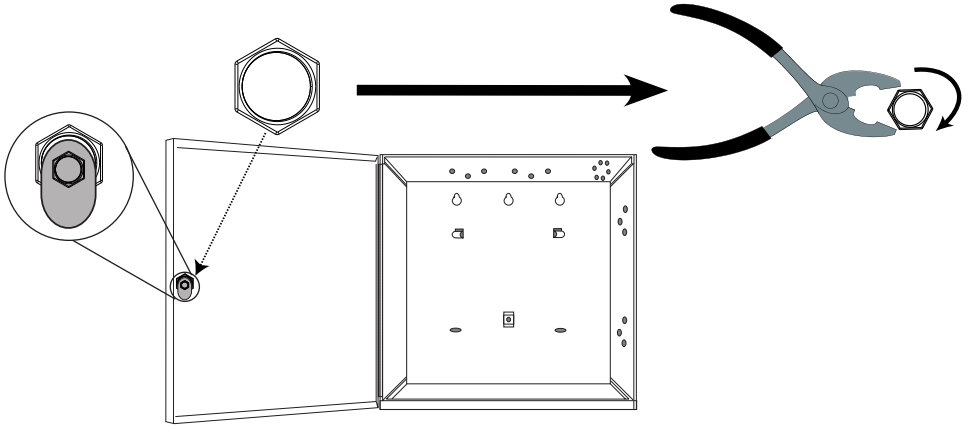


1 |



2 |





|            |                     |
|------------|---------------------|
| Weight     | 0.017 lb (0.008 kg) |
| Color      | Chrome              |
| Key number | D102 (#1358)        |



### D101 Install



[D101 Embedded install video](#)



#### Bosch Security Systems, B.V.

Torenallee 49  
5617 BA Eindhoven  
Netherlands

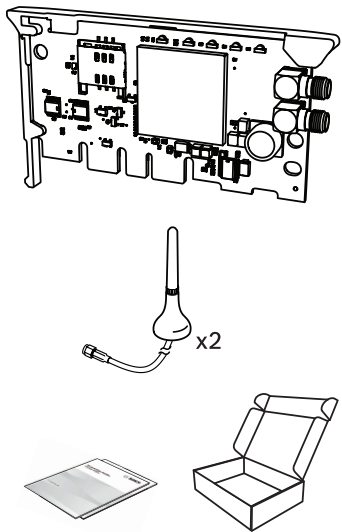
[www.boschsecurity.com](http://www.boschsecurity.com)

© Bosch Security Systems, B.V., 2022

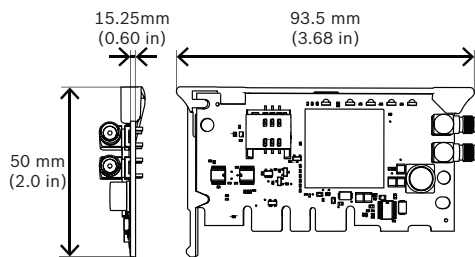
### D101 Lock Set Installation Manual



1 |

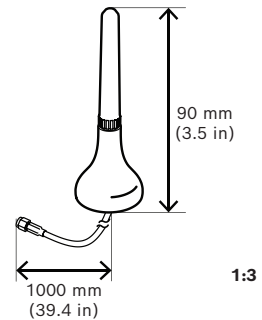


2 |



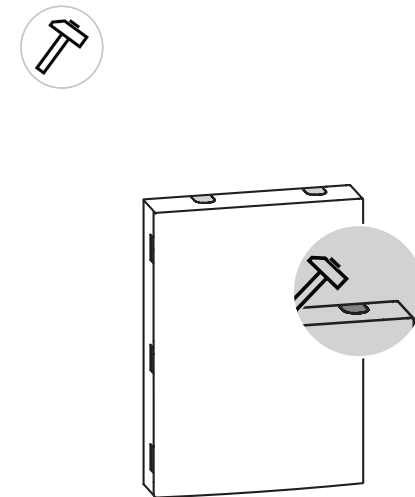
1:2

3 |

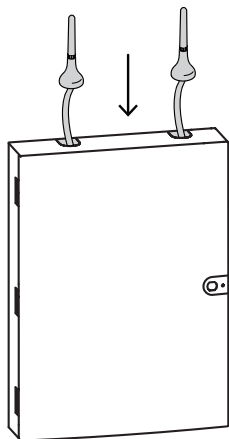


|    |                |                                |                              |
|----|----------------|--------------------------------|------------------------------|
|    |                |                                |                              |
|    | Non-condensing |                                | 12v .....                    |
| UL | 93%<br>0%      |                                |                              |
|    | UL             | 49 °C } +120°F<br>0 °C } +32°F | Standby 35mA<br>Maximum 85mA |

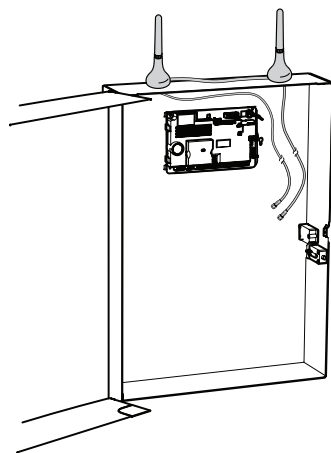
4 |



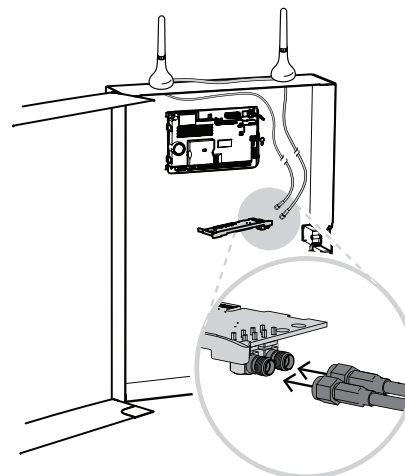
5 |



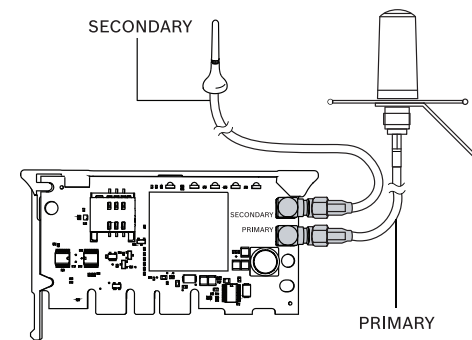
6 |



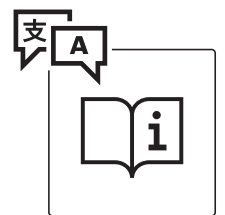
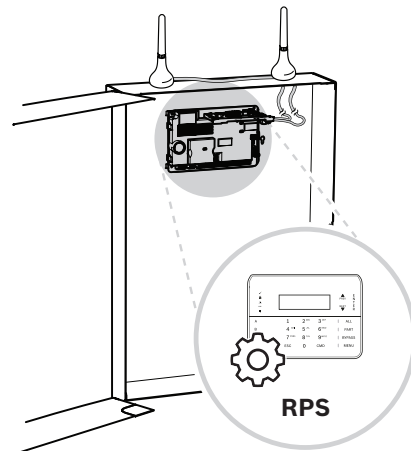
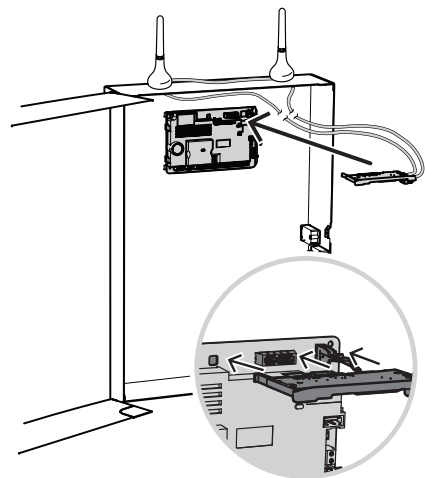
7 |



8 |



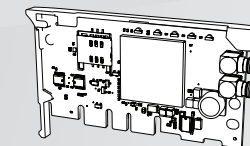
⚠ The B40 must be installed to the Primary connector.



[www.boschsecurity.com](http://www.boschsecurity.com)

## B444

B444-A | B444-V



en Quick Installation Guide

### Manufacturing dates

For product manufacturing dates, go to <http://www.boschsecurity.com/datecodes/> and refer to the serial number located on the product label.

### Trademarks

All hardware and software product names used in this document are likely to be registered trademarks and must be treated accordingly.

### Bosch Security Systems B.V.

Torenallee 49  
5617 BA Eindhoven  
The Netherlands

[www.boschsecurity.com](http://www.boschsecurity.com)

© Bosch Security Systems B.V., 2020