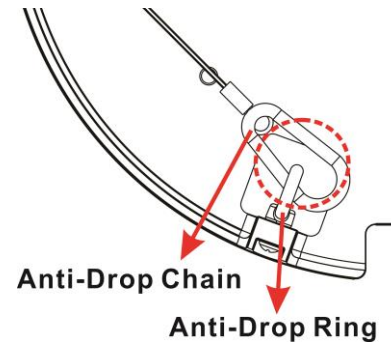


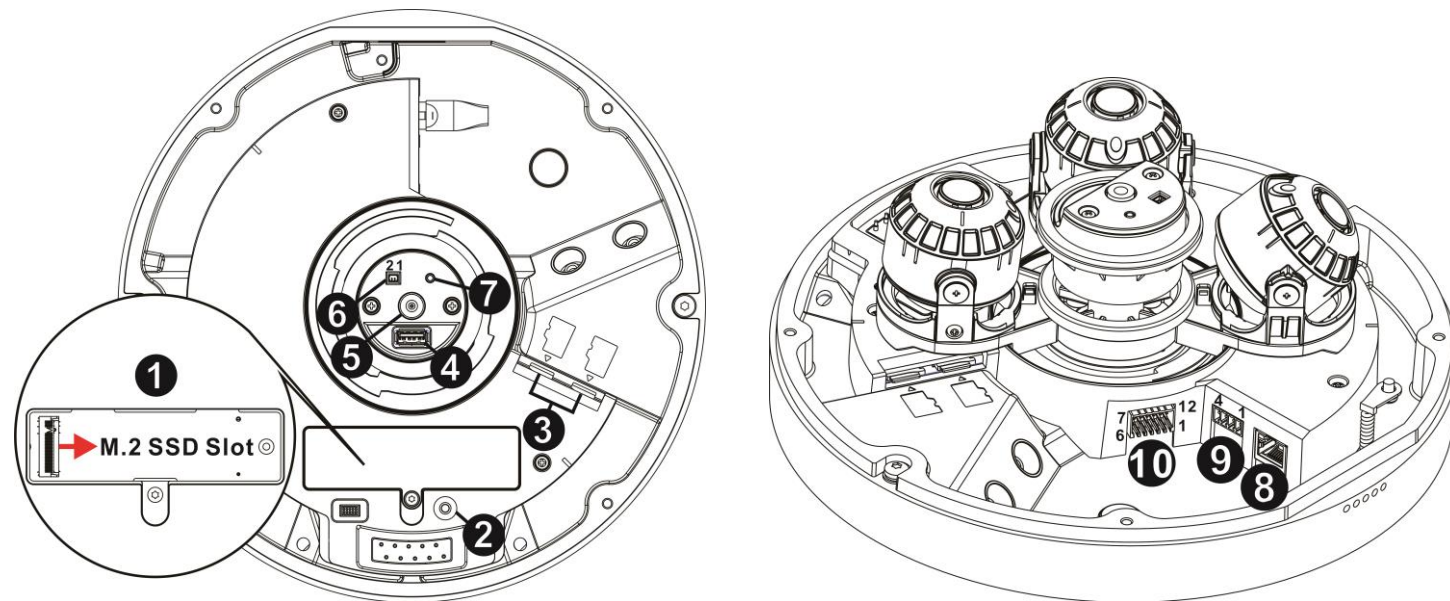
This guide is for the quick installation of Q83 Outdoor Multi-Imager 360-Degree Dome Camera. For more details, please refer to the User's Manual.

Installation Notices

- This camera must be installed by qualified personnel and the installation should conform to all local codes.
- Do not replace the batteries of the camera. Risks of explosion may occur if the battery is replaced by an incorrect type.
- To use an external power supply, please contact the camera manufacturer to confirm that the power supply complies with the requirements and shares the same power specifications with the camera.
- For safety concerns, please hook up the camera with the anti-drop chain of the pendant when installing the camera. For more information about pendant and anti-drop chain, please contact the camera manufacturer.



Camera Connectors



No.	Connector	Pin	Definition	Remarks
1	SSD Slot	-	Insert the M.2 SSD into the slot to store videos and snapshots. Do not remove the M.2 SSD when the camera is powered on.	
2	Reset Button	-	Press the reset button with a proper tool for at least 20 seconds to restore the camera to its default settings.	
3	Memory Card Slot	-	Insert the microSD card into the card slot to store videos and snapshots. Do not remove the microSD card when the camera is powered on.	
4	USB Type-A	-	Insert the flash drive into the USB slot to store videos and snapshots.	
5	MIC	-	Audio in	
6	BNC*	1	BNC	For analog video output.
		2	GND	
7	BNC Button	-	Analog video switching between different shots.	

8	RJ45 Connector	-	For network and Power over Ethernet (PoE) IEEE 802.3bt connections	NOTE: Please contact the manufacturer for compatible PoE injector.
9	Power (DC24V / AC24V)	1	DC 24V-	Power connection
		2	DC 24V+	
		3	AC 24V	
		4	AC 24V	
10	Alarm & Audio I/O	1	Alarm In 1+	Alarm Connection NOTE: Do NOT connect external power supply to the alarm I/O connector of the camera.
		2	Alarm In COM	
		3	Alarm Out 1+	Audio Out (Line out)
		4	Alarm Out 1-	
		5	Audio Out R	Audio In (Line In)
		6	Audio Out L	
		7	Audio IN L	Alarm Connection NOTE: Do NOT connect external power supply to the alarm I/O connector of the camera.
		8	Audio IN R	
		9	Alarm Out 2-	Ground connection
		10	Alarm Out 2+	
		11	GND	Alarm Connection NOTE: Do NOT connect external power supply to the alarm I/O connector of the camera.
		12	Alarm In 2+	

(*) Optional



NOTE: It is not recommended to record with the SD card for 24/7 continuously, as it may not be able to support long term continuous data read/write. Please contact the manufacturer of the SD card for information regarding the reliability and the life expectancy.

Power Connection

To power up the camera, connect the DC24V/AC24V power adaptor to the power connector of the camera and the power outlet.

Alternatively, users can use an Ethernet cable and connect it to the RJ-45 port of the camera and Power Sourcing Equipment (PSE) switch, such as Power-over-Ethernet (PoE) switch or injector.



NOTE: If PoE is used, make sure PSE is in use in the network.

Ethernet Cable Connection

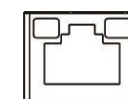
Connect one end of the Ethernet cable to the RJ-45 connector of the camera; and plug the other end of the cable to the network switch or PC.



NOTE: In some cases, Ethernet crossover cable might be needed when connecting the camera directly to the PC.



NOTE: Check the status of the link indicator and activity indicator LEDs. If the LEDs are unlit, please check the LAN connection.



Green Link Light indicates good network connection.
Orange Activity Light flashes for network activity indication.



NOTE: The ITE is to be connected only to PoE networks without routing to the outside plant or equivalent description.

Before Login to the Camera

A client program will be automatically installed to the PC when connecting to the camera. Before logging in to the camera, please ensure downloading the ActiveX control is allowed by either changing the ActiveX controls and plug-ins or setting Internet's security level to default. For further details, please refer to the User's Manual.

ActiveX Controls and Plug-ins Settings	Internet Security Level
Step 1: Start the Internet Explorer (IE). Step 2: Select <Tools> from the main menu of the browser. Then click on <Internet Options>. Step 3: Click on the <Security> tab and select <Internet>, and click on <Custom level> to change ActiveX settings. Step 4: Set "ActiveX controls and plug-ins" items to <Prompt> or <Enable>.	Step 1: Start the IE Internet Explorer (IE). Step 2: Select <Tools> from the main menu of the browser. Then click on <Internet Options>. Step 3: Click on the <Security> tab and select <Internet>. Step 4: Down the page, click on <Default Level> and <OK> to confirm the setting. Close the browser window, and open a new one later for accessing the IP camera.



NOTE: It is strongly recommended using Microsoft Internet Explorer 10.0 or later version to connect the camera.

Camera Login

The default IP address of the camera is: **192.168.0.100**. Therefore, to access the camera for the first time, please set the IP address of the PC as: 192.168.0.XXX; for example:

IP Address: 192.168.0.99

Subnet Mask: 255.255.255.0

Login ID & Password

- Type in corresponding camera IP address into the URL field on the web browser and hit "Enter".
- For initial login, use the default username (**admin**) and then set up the password. Follow the on-screen instructions to do so. This username and password will be used for succeeding login. Note that the username and password are case sensitive.

Default Username: admin

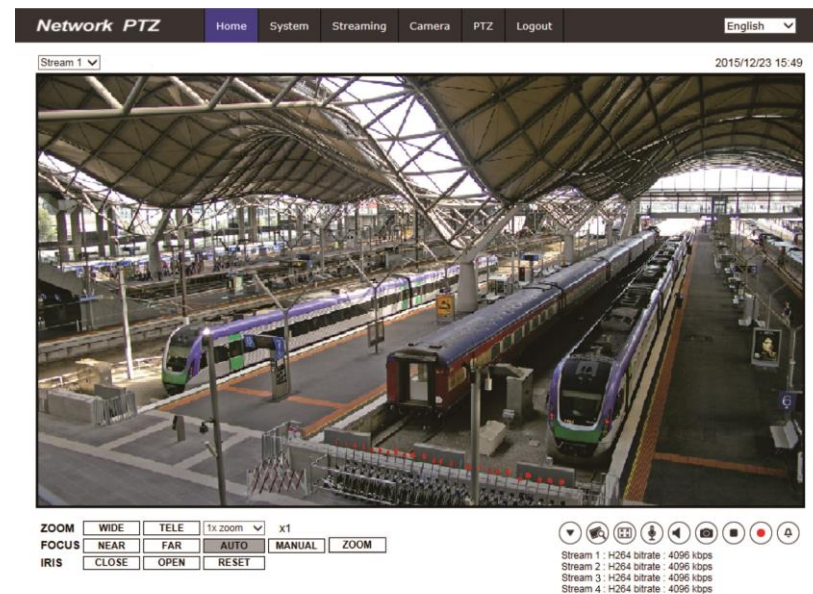
Password: (user must set up first)

Install the ActiveX Control

- After connecting to the camera, the request for installing the ActiveX control will appear just below the URL bar. Follow the on-screen instructions to permit installation.

Browser-based Viewer

The main page of the IP camera user interface is as shown below.



Q83

Outdoor Multi-Imager 360-Degree Dome Camera Quick Guide