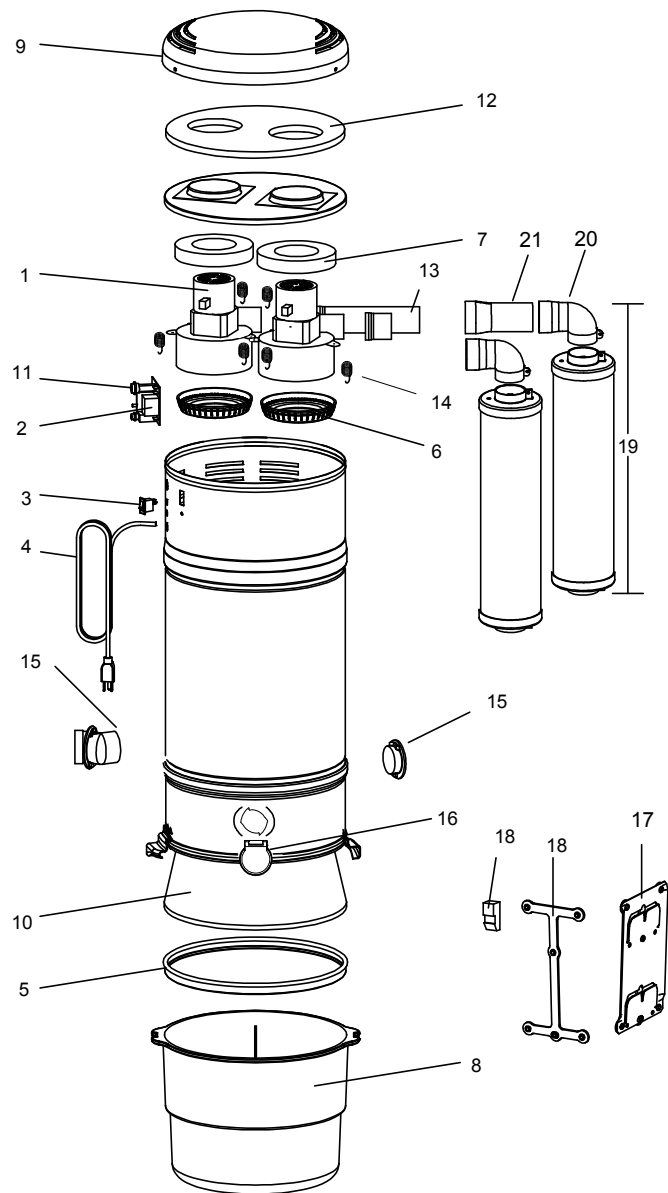


SMP1000



Updated: November 22, 2023

- 1 140415 Motor (119678-00) 240V
- 2 100599 240V Twin 312457 10A Board
- 3 170177 Rocker Switch
- 4 100318 BLK 76" Power Cord Assy, 240V
- 5 195002 Receptacle Gasket-Lrg Dia
- 6 145137 Motor Gasket
- 7 145138 Thermal Seal
- 8 120313 7 Gal Dirt Receptacle
- 9 115079 Cnpy: 14" BLK w/Foil
- 10 110348 Filter Bag
- 11 335131 Low Volt Terminal (2 req'd)
- 12 145142 Foam for Lid
- 13 145327 8" Exhaust Extension
- 14 145143 Motor Hold Down Spring (3pk)
- 15 105149 Intake Kit: BLK ATLAS
- 16 105148 Valve: BLK ATLAS Plain Utility
- 17 145330 Wall Mounting Bracket
- 18 145506 Anti Vibration
- 19 030185 Mfflr-BLK Sound Off
- 20 145314 Exhaust Elbow BLK
- 21 145312 Exhaust Extension 4.375 L / 2.0 ID
- NP 135044 Set of 2 Motor Brushes



Our parts policy is to carry the most current color/version of any particular part.