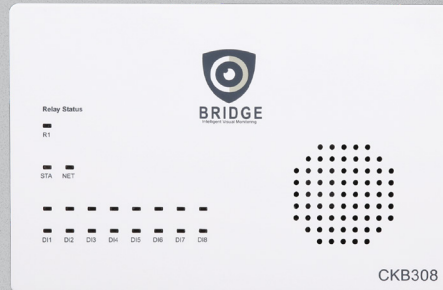


OPTEx Bridge Complete Visual Alarm System

The comprehensive
visual security solution

Model:
CKB-308CUBEKIT

KIT COMPONENTS:



1 CKB-308



4 INS-CUBE

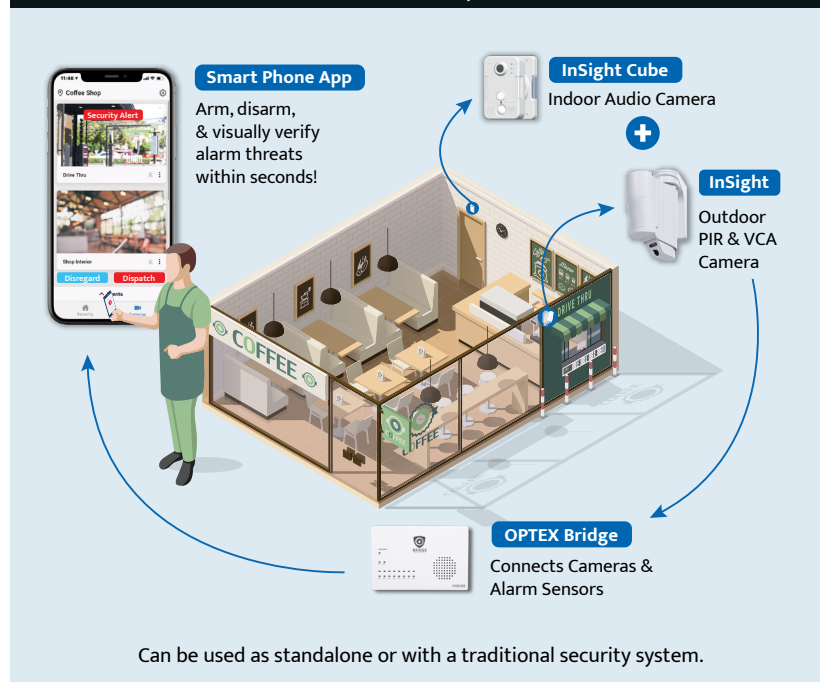
Intelligent Visual Monitoring Solution

The OPTEx **CKB-308** Bridge is an 8 channel visual monitoring device that allows the pairing of any ONVIF cameras to any alarm panel zones, and sends central stations the pre and post alarm videos within 5 seconds. The central station operator can then choose to dismiss the alarm if it's false, dispatch municipality, or give end users the notification so they can control the response via an app.

The Bridge system offers the fastest, most accurate and complete visual security solution when paired with the **INS-CUBE** PIR based 2-way audio & visual security indoor device. This combination creates a true comprehensive one-stop-shop for all types of indoor security monitoring application needs.

For end users, this system provides the ability to monitor several premises from a single mobile app at anytime, anywhere. The system can be used by itself or with existing burglar alarm hardware, and offers the ability to self-monitor or connect to a professional monitoring center, and eliminate 100% of false dispatches and false alarm fines.

How the Visual Alarm System Works:



Benefits of using the OPTEx Bridge as your complete security solution:

- Can be used by itself or with existing burglar alarm hardware
- Can be self monitored or connect to professional monitoring center
- Eliminates 100% of false alarm dispatches and false alarm fines

CKB-308CUBEKIT Components:

(1) CKB-308

8 channel OPTEx Visual
Verification Bridge



(4) INS-CUBE

InSight Visual Verification
indoor device



For more
information,
please scan
the QR code.



Please note:
Outdoor Visual
Alarm Devices
available separately



Specifications

CKB-308

GENERAL	Model	CKB-308	OPERATIONAL	Video analytics support	ONVIF Event Messaging Protocol	
	Digital alarm inputs	8x digital input zones		Event triggers	Zone Input Triggers, ONVIF Event Topics, AI Event Triggers with API	
	Relay output	1x relay output (NO/NC) - 100mAmps @24V DC		Alarm events	Transmitted via IP to Central Station Automations	
	SD card slot	-		Audio in	Available on supported cameras with audio in the video stream	
	Audio output	1/8" (3.5mm) line level output (non-amplified)		NET	Ethernet	RJ-45 10/100/BASE-T Connection
	Reset button	Bridge factory reset			Encryption/security	TLS/SSL (Secure Socket Layer)
	USB ports	2 x USB2.0 type A + 2 x USB3.0 type A		ENVIRONMENTAL & ELECTRICAL	Operating temp/humidity	0C ~ +40°C (32°F ~ 85°F) / Less than 85% RH
LED	STA (status)	Bridge Power – On (Armed Status – Red[Armed] Green[Disarmed])	Bridge power source		12V DC / PoE IEEE 802.3af class3	
	Network	Network Connection Indicator	Power consumption		DC : 800mAmps Peak PoE : 10.5W Peak	
OPERATIONAL	D1 (alarm 1-8 or alarm 1-12)	Digital Input Indicators (Red – Alarm, Off – Normal)	Digital input zones		Input Voltage Range: 0-12v DC (All Ground Terminals Are Common)	
	Video source recommendations	IP devices with available RTSP Stream. Video Source Requirements: ~ D1 Resolution: 720x480 & 6 FPS	Relay output		max 100mAmps @24V DC	
	Video compression support	H.264	Arming input		Input Voltage Range: 0-12v DC (All Ground Terminals Are Common) – 1.87v ADC Reading with no external Connection	
	Video authentication support	ONVIF, RTSP, HTTP, CheKT API	Color/material		White / Polycarbonate (PC)	
	Video transmission security	TLS/SSL Encryption to Cloud & Central Station	Product dimensions/weight	150mm x 98mm x 35mm(5.9"x3.86"x1.38"), Weight : 265g (0.6lb)		

INS-CUBE

CAMERA	
Image Sensor	1/2.8" Progressive Scan CMOS
Lens	2.8mm, F1.6
Min. Illumination	0.035Lux, AGC On : 0Lux with IR (F1.6)
IR Range	Up to 10m
Angle of View	110°
PIR Range	Up to 10m, 120° Angle of View
Day/Night	IR cut filter with auto switch
Shutter Times	1/15s - 1/32,000s

COMPRESSION STANDARD	
Video Compression	H.264, H.265, MJPEG
Video Bit Rate	100Kbps - 10Mbps
Audio Compression	G.711

IMAGE	
Max. Image Resolution	1920 x 1080
Frame Rate	60Hz : 30fps
Digital Noise Reduction	3D DNR
Wide Dynamic Range	True WDR
Image Setting	Rotate mode, Saturation, Brightness, Contrast, Sharpness, AGC, ROI

FUNCTIONS	
Alarm Triggers	Motion detection, Network disconnect, IP address conflict, Storage exception, Temperature critical, PIR detection, Audio detection
Local Storage	Built-in Micro SD, SDHC, SDXC card slot, Up to 128GB
Security	One-key reset, Flash-prevention, Dual Stream, Password protection, Privacy mask, IP address filtering, Anonymous access
Protocols	TCP/IP, ICMP, HTTP, HTTPS, FTP, DHCP, DNS, DDNS, RTP, RTSP, RTCP, NTP, UPnP, SMTP, SNMP, IGMP, 802.1X, QoS, IPv6, Bonjour

PHYSICAL	
Working Temp.	-20°C - 50°C (-4°F - 122°F), 90% Max Humidity
Dimensions (V x H)	87.6mm x 114mm x 72.1mm
Weight	297g

ELECTRICAL	
Power Supply	12V DC ±10%, PoE (802.3af)
Power Consumption	12V DC 6.4W, PoE (802.3af) 6.8W

INTERFACE	
Communications	1 RJ45 10M/100M Ethernet Port
Audio Input	Built-in Microphone
Audio Output	Built-in Speaker
Alarm Out (NO/NC)	1 Channel Signal
Tamper Alarm (Switch)	1 Channel Signal

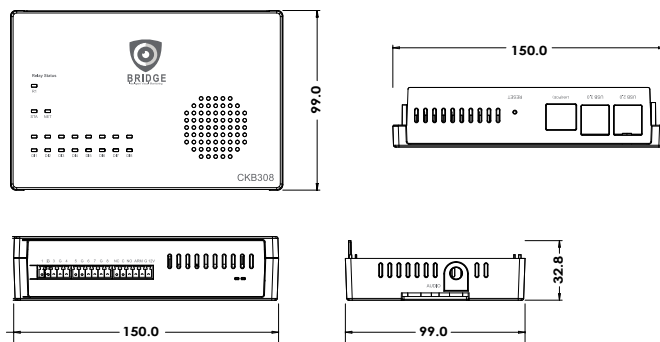
Wi-Fi	
Wireless Standard	IEEE802.11b, 802.11g, 802.11n
Frequency Range	2.4 GHz ~ 2.4835 GHz
Channel Bandwidth	20MHz Support
Protocols	802.11b : CCK, QPSK, BPSK ; 802.11g/n : OFDM
Security	64/128bit WEP, WPA/WPA2, WPA-PSK/WPA2-PSK, WPS
Wireless Range	25m (Dependent Upon Environment)

CERTIFICATIONS	
FCC, CE	

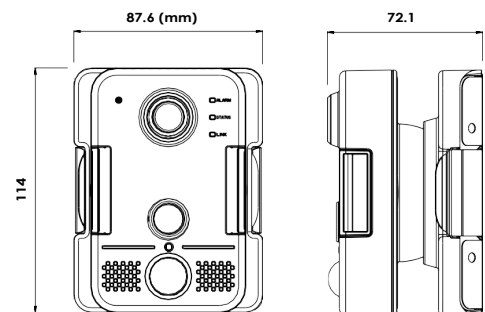
Dimensions

Unit: mm

CKB-308



INS-CUBE



800.966.7839
www.optexamerica.com
sales@optexamerica.com

224.442.4358
www.chekt.com
customer@chekt.com

