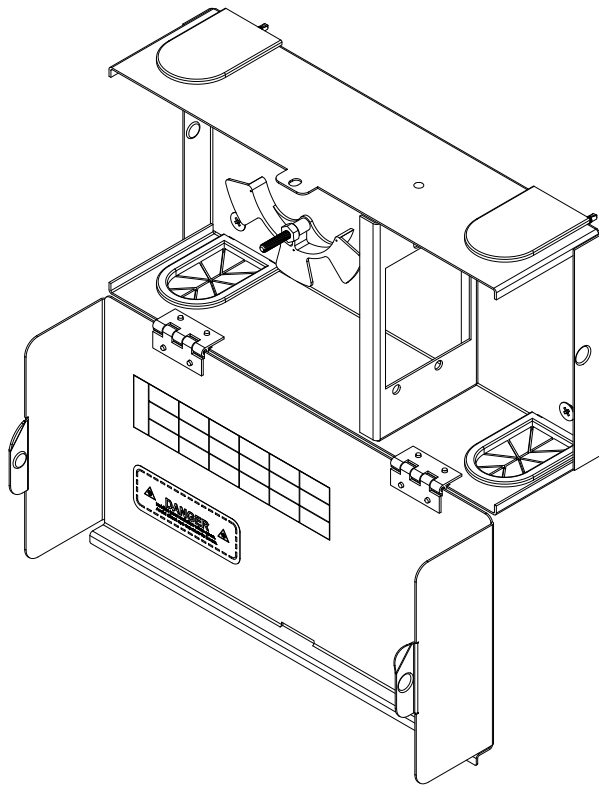


HD Fiber Optic Wall Mount Enclosure with 2 Slots for Adapter Panels or Cassettes



Package Includes:

- A. 2 Port Wall Mount Enclosure, **1 Piece**
- B. Cable Management Spool, **2 Pieces**
- C. M5-0.8 Nut, **2 Pieces**
- D. Location Identification Label, **1 Pieces**
- E. Danger Label, **1 Piece**
- F. Intallation Instructions, **1 Sheet**
- G. Rubber Grommet, **4 Pieces**
- H. Releasable Cable Tie, **1 Piece**

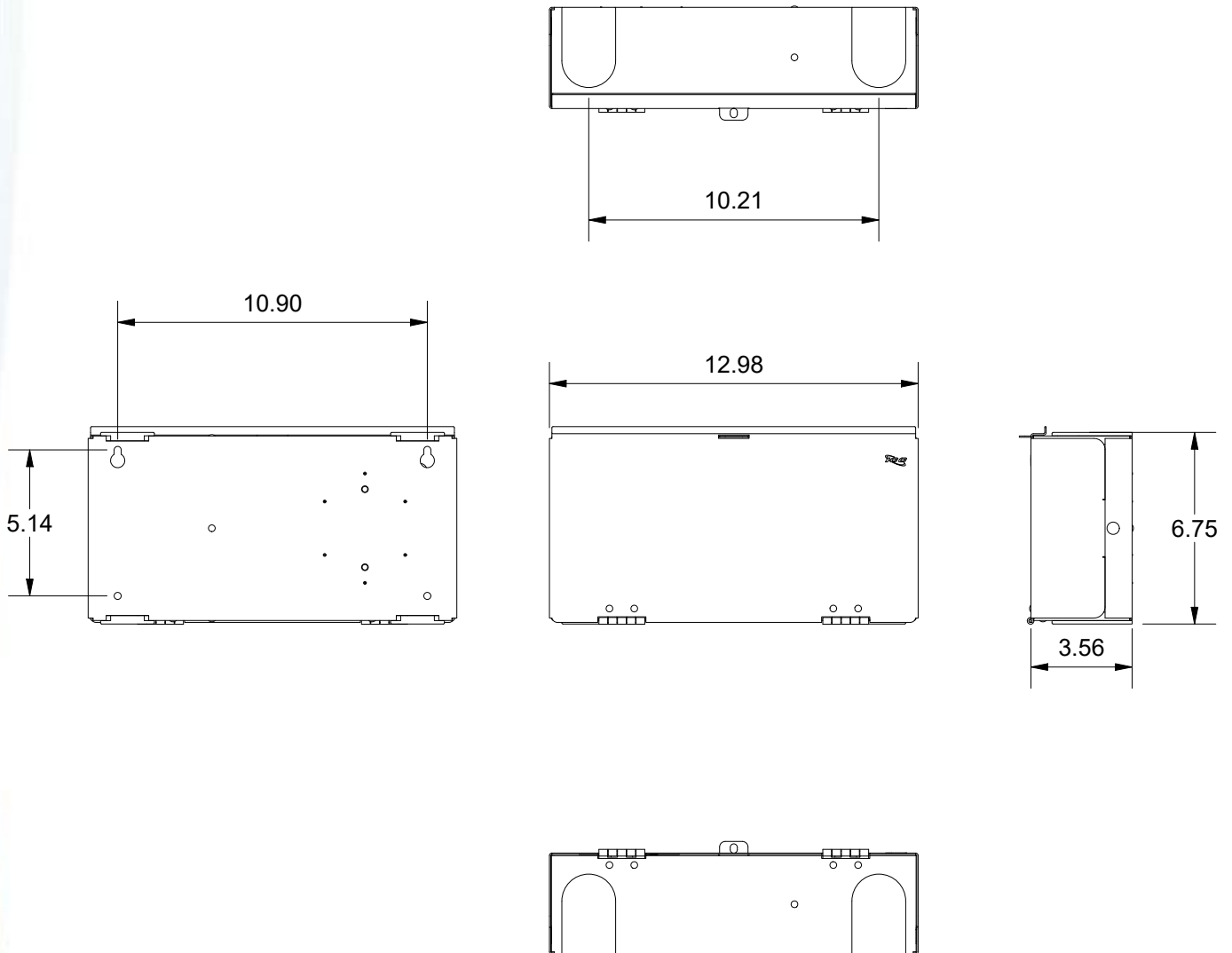
Features and Benefits

- Enclosure is designed to be wall mounted with open access to both sides
- Top and bottom opening allow room for cable entry and exit
- Help minimize cable build up
- Provides easy access to managing fiber optic cable
- High-quality material and folded edge design allow for strength and durability
- Built-in, cable management spools, provide easy cable routing
- Holds up to 2 HD Adapter Panels or Cassettes
- Accepts ICFOSKFM12 splice trays
- Preassembled Cable management spool and rubber grommet reduce installation time

Part No: ICFODE21WH
Rev: A
Page 1 of 2

icc.com | cs@icc.com





NOTE: UNLESS OTHERWISE SPECIFIED

1. Material:
 - A. Enclosure: 18 Gauge CRS
 - B. Adapter Bulkhead: 16 Gauge CRS
2. Color: Black
3. Finish: Powder Coating

Part No: ICFODE21WH
Rev: A
Page 2 of 2

icc.com | cs@icc.com

