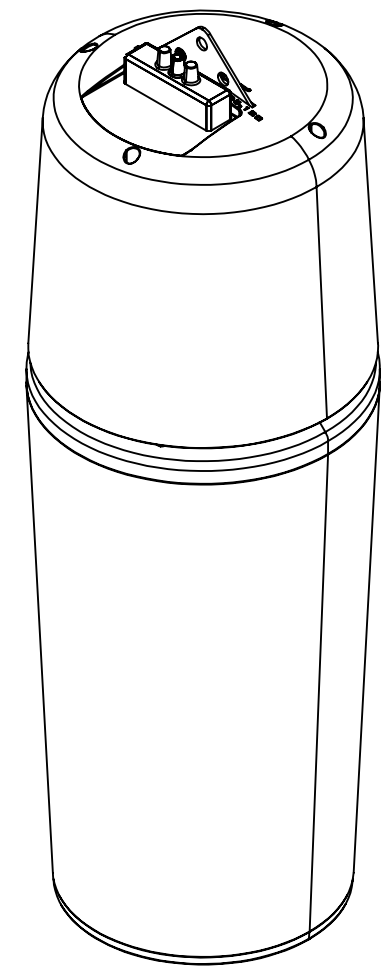
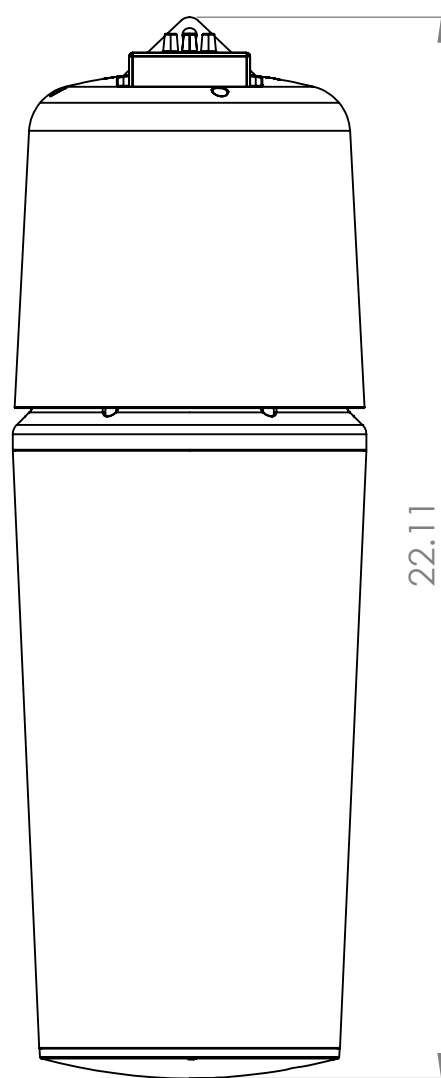
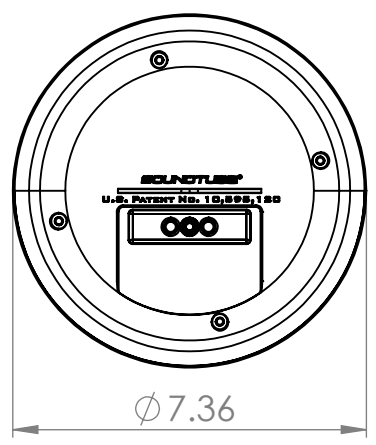


4

3

2

1



B

B

A

A

4

3

2

1

UNLESS OTHERWISE SPECIFIED:		NAME	DATE	
DIMENSIONS ARE IN INCHES		DRAWN	5/24/2022	
TOLERANCES:		CHECKED		TITLE:
FRACTIONAL ±		COMMENTS:		MM32-EZ
ANGULAR: MACH ± BEND ±				
TWO PLACE DECIMAL ±				
THREE PLACE DECIMAL ±				
INTERPRET GEOMETRIC TOLERANCING PER:		SIZE	DWG. NO.	REV
MATERIAL		<b>B</b>		
FINISH			SCALE: 1:4	WEIGHT:
DO NOT SCALE DRAWING				

**PROPRIETARY AND CONFIDENTIAL**

THE INFORMATION CONTAINED IN THIS DRAWING IS THE SOLE PROPERTY OF MSE AUDIO. ANY REPRODUCTION IN PART OR AS A WHOLE WITHOUT THE WRITTEN PERMISSION OF MSE AUDIO IS PROHIBITED.