

IMPORTANT SAFETY INSTRUCTIONS

SAVE THESE INSTRUCTIONS

This Manual Contains Important Instructions that should be followed during Installation and Maintenance of the UPS and batteries. Read this manual thoroughly before attempting to unpack, install, or operate your UPS.

CAUTION! To prevent the risk of fire or electric shock, install in a temperature and humidity controlled indoor area free of conductive contaminants. (Please see specifications for acceptable temperature and humidity range).

CAUTION! To reduce the risk of electric shock, do not remove the cover except to service the battery. Turn off and unplug the unit before servicing the batteries. There are no user serviceable parts inside except for the battery.

CAUTION! Hazardous live parts inside can be energized by the battery even when the AC input power is disconnected.

CAUTION! The UPS must be connected to an AC power outlet with fuse or circuit breaker protection. Do not plug into an outlet that is not grounded. If you need to de-energize this equipment, turn off and unplug the unit.

CAUTION! To avoid electric shock, turn off the unit and unplug it from the AC power source before servicing the battery.

CAUTION! Not for use in a computer room as defined in the Standard for the Protection of Information Technology Equipment, ANSI/NFPA 75.

CAUTION! To reduce the risk of fire, connect only to a circuit provided with 20 amperes maximum branch circuit over current protection in accordance with the National Electric Code, ANSI/NFPA 70.

DO NOT USE FOR MEDICAL OR LIFE SUPPORT EQUIPMENT! ADI does not sell products for life support or medical applications. **DO NOT** use in any circumstance that would affect operation and safety of life support equipment, any medical applications or patient care.

CAUTION! Intended for installation in a temperature controlled, indoor area free of conductive contaminants.

DO NOT USE WITH OR NEAR AQUARIUMS! To reduce the risk of fire or electric shock, do not use with or near an aquarium. Condensation from the aquarium can cause the unit to short out.

DO NOT USE THE UPS ON ANY TRANSPORTATION! To reduce the risk of fire or electric shock, do not use the unit on any transportation such as airplanes or ships. The effect of shock or vibration caused during transit and the damp environment can cause the unit to short out.

WARNING! This product can expose you to chemicals including Styrene, and Bisphenol-A, which is known to the State of California to cause cancer, birth defects or other reproductive harm. For more information go to www.P65Warnings.ca.gov.

INSTALLING YOUR UPS SYSTEM

UNPACKING

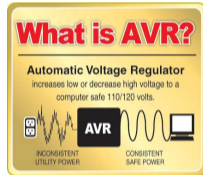
Inspect the UPS upon receipt. The box should contain the following: (a) UPS (b) User's manual (c) USB A+B type cable (d) Function Setup Guide (e) Software download card.

OVERVIEW

The UPS provides complete power protection from utility power that is not always consistent. The 0E-1000V9RD features 1080 Joules and the 0E-1500V10RD features 1500 Joules of surge protection. The unit provides long lasting battery backup during power outages with maintenance free batteries.

AUTOMATIC VOLTAGE REGULATOR

The 0E-1000V9RD and 0E-1500V10RD stabilizes inconsistent utility power voltage to nominal levels that are safe for equipment. Inconsistent incoming utility power may be damaging to important data files and hardware, but with Automatic Voltage Regulation (AVR), damaging voltage levels are corrected to safe levels. AVR automatically increases low utility power or decreases high utility power to a consistent and safe 110/120 volts.

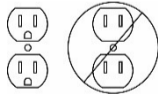
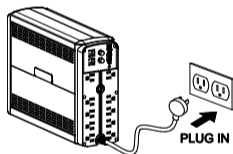


HOW TO DETERMINE THE POWER REQUIREMENTS OF YOUR EQUIPMENT

1. Ensure that the equipment plugged into the outlet does not exceed the UPS's rated capacity (1000VA/600W for 0E-1000V9RD and 1500VA/900W for 0E-1500V10RD). If the rated capacity of the unit is exceeded, an overload condition may occur and cause the UPS to shut down or the circuit breaker to trip.
2. There are many factors that can affect the amount of power that your computer system will require. It is suggested that the load placed on the battery outlets not exceed 80% of the unit's capacity.

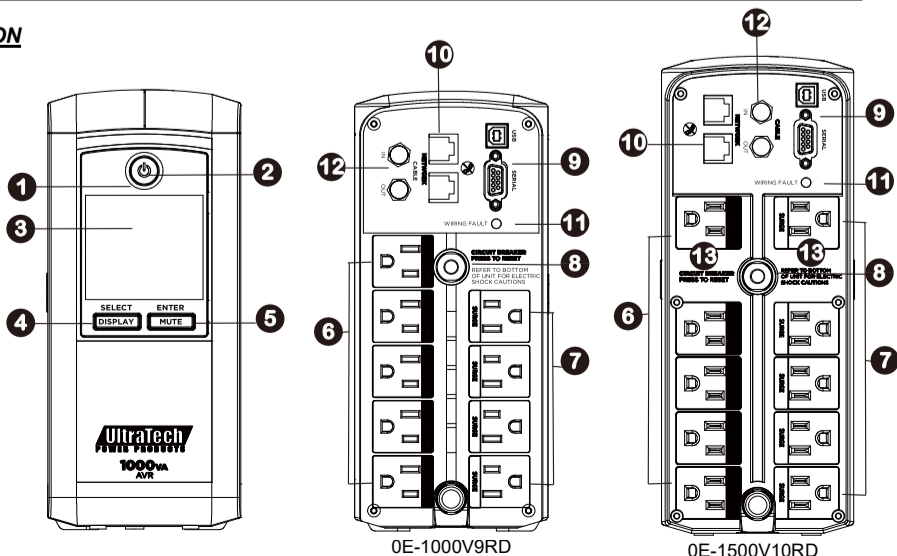
HARDWARE INSTALLATION GUIDE

1. Your new UPS may be used immediately upon receipt. However, after receiving a new UPS, to ensure the battery's maximum charge capacity, it is recommended that you charge the battery for at least 8 hours. Your UPS is equipped with an auto-charge feature. When the UPS is plugged into an AC outlet, the battery will automatically charge whether the UPS is turned on or turned off. Note: This UPS is designed with a safety feature to keep the system from being turned on during shipment. The first time you turn the UPS on, you will need to have it connected to AC power or it will not power up.
2. With the UPS unit turned off and unplugged, connect your computer, monitor, and any other peripherals requiring battery backup into the battery power supplied outlets. Plug the other peripheral equipment (eg. Printer, scanner, speaker, etc.) into the full-time surge protection outlets. **DO NOT plug a laser printer, paper shredder, copier, space heater, vacuum clear, sump pump or other large electrical devices into the "Battery and Surge Protected Outlets". The power demands of these devices will overload and possibly damage the UPS.**
3. Plug the UPS into a 2 pole, 3 wire grounded receptacle (wall outlet). Make sure the wall branch outlet is protected by a fuse or circuit breaker and does not service equipment with large electrical demands (e.g. air conditioner, refrigerator, copier, etc...). The warranty prohibits the use of extension cords, outlet strips, and surge strips in conjunction with the UPS unit.
4. Press the power switch to turn the unit on. The Power On indicator light will illuminate and the unit will "beep" once.
5. If an overload is detected, an audible alarm will sound and the unit will emit one long beep. To correct this, turn the UPS off and unplug at least one piece of equipment from the battery power supplied outlets. Make sure the circuit breaker is depressed and then turn the UPS on.
6. To maintain optimal battery charge, leave the UPS plugged into an AC outlet at all times.
7. To store the UPS for an extended period, cover it and store with the battery fully charged. While in storage, recharge the battery every three months to ensure battery life.
8. Ensure the wall outlet and UPS are located near the equipment being attached for proper accessibility.



BASIC OPERATION

DESCRIPTION



1. **Power Switch**
Used as the master on/off switch for equipment connected to the battery power supplied outlets. (Please refer to the Function Setup Guide for more information.)
2. **Power On Indicator**
This LED is illuminated when the utility power is normal and the UPS outlets are providing power.
3. **LCD module display**
The LCD display shows all the UPS information using icons and messages. For more information please review the "Definitions for Illuminated LCD Indicators" section below.
4. **Display/Select Button**
The button can be used to select the LCD display contents including Input Voltage, Output Voltage, and Estimated Run Time. Short press the button to scroll down the function menu. Pressing the button for 3 seconds will keep the LCD display always on or turn the LCD display off while in AC/Utility power mode. For more information, please refer to the *Function Setup Guide*.
5. **Mute/Enter Button**
Holding the button for more than 3 seconds will silence the alarm. Short press the ENTER button to confirm the setting. After the setting has been confirmed, the LCD screen will stop flashing. For more information, please refer to the *Function Setup Guide*.
6. **Battery backup and Surge Protected Outlets**
The UPS has battery powered/surge suppression outlets for connected equipment to ensure temporary uninterrupted operation of your equipment during a power failure. **(DO NOT plug a laser printer, paper shredder, copier, space heater, vacuum, sump pump or other large electrical devices into the "Battery and Surge Protected Outlets". The power demands of these devices may overload and damage the unit.)**
7. **Full-Time Surge Protection Outlets**
The UPS has 4/5 surge suppression outlets without battery backup.
8. **Circuit Breaker**
Located on the back of the UPS, the circuit breaker serves to provide overload and fault protection.
9. **USB Port to PC/DB9 Port**
The USB port allows connection and communication between the computer and the UPS unit.
10. **Communication Protection Ports**
Communication protection ports, bi-directional, will protect a 10/100/1000 Ethernet connection (RJ45).
11. **Wiring Fault Indicator (red)**
This LED indicator will illuminate to warn the user that a wiring problem exists, such as bad ground, missing ground or reversed wiring. If this is illuminated, disconnect all electrical equipment from the outlet and have an electrician verify the outlet is properly wired. The UPS will not provide surge protection without being plugged into a grounded and properly wired wall outlet.
12. **Coax/Cable/DSS Surge Protection**
The Coax/Cable/DSS protection ports will protect any cable modem, CATV converter, or DSS receiver.
13. **Widely Space Outlets Designed for AC Adapters**
The unit has two widely spaced outlets spaced to allow AC power adapter blocks to be plugged into the UPS without blocking adjacent outlets.

REPLACING THE BATTERY

Replacement of batteries located in an OPERATOR ACCESS AREA.

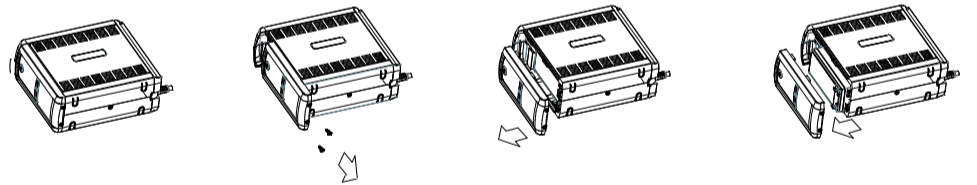
1. When replacing batteries, replace with the same number of the following battery: CyberPower/RB1290 for 0E-1000V9RD, CyberPower/RB1290X2 for 0E-1500V10RD
2. **CAUTION!** Risk of Energy Hazard, 12 V, maximum 9 Ampere-hour battery for 0E-1000V9RD; 24 V, maximum 9 Ampere-hour battery for 0E-1500V10RD. Before replacing batteries, remove conductive jewelry such as chains, wrist watches, and rings. High energy conducted through these materials could cause severe burns.
3. **CAUTION!** Do not dispose of batteries in a fire. The batteries may explode.
4. **CAUTION!** Do not open or mutilate batteries. Released material is harmful to the skin and eyes. It may be toxic.
5. **CAUTION!** A battery can present a risk of electrical shock and high short circuit current. The following precautions should be observed when working on batteries:
 - 1) Remove watches rings, or other metal objects.
 - 2) Use tools with insulated handles.

CAUTION - RISK OF EXPLOSION IF BATTERY IS REPLACED BY AN INCORRECT TYPE. DISPOSE OF USED BATTERIES ACCORDING TO LOCAL REGULATIONS.

BATTERY REPLACEMENT PROCEDURE:

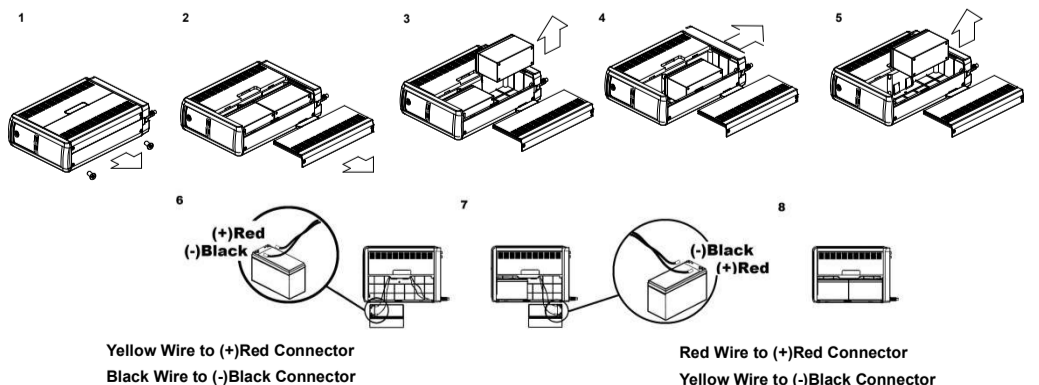
0E-1000V9RD

1. Turn off and unplug all connected equipment.
2. Turn the UPS off and unplug it from the AC power source.
3. Turn the UPS on its side.
4. Remove the front panel retaining screws located on the bottom of the UPS.
5. Slide the battery compartment cover (front panel) completely off of the unit.
6. Disconnect the battery wires from the batteries.
7. Remove the batteries from the compartment.
8. Install the replacement batteries by connecting the red wire (+) and black wire (-) to the same color connectors.
9. Put the batteries back into the compartment.
10. Slide back the battery compartment cover and tighten the retaining screws.
11. Recharge the UPS for 8-16 hours to fully charge the battery.



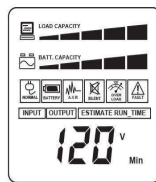
0E-1500V10RD

1. Turn off and unplug all connected equipment.
2. Turn the UPS off and unplug it from the AC power source.
3. Turn the UPS on its side.
4. Remove two retaining screws located on the bottom of the UPS.
5. Slide the battery compartment cover completely off of the unit.
6. Remove the battery which is located on the right side from the compartment.
7. Disconnect the battery wires from the right side of the battery.
8. Slide the remaining battery from left to right and remove it from the compartment.
9. Disconnect the battery wires from the remaining battery.
10. Install the "left side" replacement battery by connecting the yellow wire (+) to the red connector from the battery and the black wire (-) to the black connector from the battery. Place the battery into the left side of the compartment.
11. Install the "right side" replacement battery by connecting the red wire (+) to the red connector from the battery and yellow wire (-) to the black connector from the battery. Place the battery into the right side of the compartment. Note: Only new batteries should be used for replacement and both batteries should be replaced at the same time to insure maximum life span.
12. Slide back the battery compartment cover and tighten the retaining screws.
13. Recharge the UPS for 8-16 hours to fully charge the battery.



REMINDER: Batteries are considered **HAZARDOUS WASTE** and must be disposed of properly. Most retailers that sell lead-acid batteries collect used batteries for recycling, as required by local regulations.

DEFINITIONS FOR ILLUMINATED LCD INDICATORS



The LCD screen indicates a variety of UPS operational conditions. All descriptions apply when the UPS is plugged into an AC outlet and turned on or when the UPS is on battery.

- INPUT voltage meter:**
This meter measures the AC voltage that the UPS system is receiving from the utility wall outlet. The UPS is designed, through the use of automatic voltage regulation, to continuously correct output voltage to connected equipment to a safe 120 voltage output range. In the event of a complete power loss, severe brownout, or over-voltage, the UPS relies on its internal battery to supply consistent 110/120 output voltage. The INPUT voltage meter can be used as a diagnostic tool to identify poor-quality input power.
 - OUTPUT voltage meter:**
This meter measures, in real time, the AC voltage that the UPS system is providing to the computer, such as normal line mode, AVR mode, and battery backup mode. (Note: The OUTPUT voltage meter shows the status of the battery backup outlets.)
 - ESTIMATED RUN TIME:**
This displays the run time estimate of the UPS with current battery capacity and load.
 - NORMAL icon:**
This icon appears when the UPS is working under normal conditions.
 - BATTERY icon:**
During a severe brownout or blackout, this icon appears and an alarm sounds (two short beeps followed by a pause) to indicate the UPS is operating from its internal batteries. During a prolonged brownout or blackout, the alarm will sound continuously to indicate the UPS's batteries are nearly out of power. You should save files and turn off your equipment immediately or allow the software to shut the system down.
 - AVR (Automatic Voltage Regulation) icon:**
This icon appears whenever your UPS is automatically correcting low AC line voltage without using battery power. This is a normal, automatic operation of your UPS, and no action is required on your part.
 - SILENT MODE icon:**
This icon appears whenever the UPS is in silent mode.
 - OVER LOAD icon:**
This icon appears and an alarm sounds to indicate the battery-supplied outlets are overloaded. To clear the overload, unplug some of your equipment from the battery-supplied outlets until the icon turns off and the alarm stops.
 - FAULT icon:**
This icon appears if there is a problem with the UPS, Contact ADI/UltraTech U.S. 1-800-233-6261; Canada 877-234-7378; Puerto Rico 787-793-8830
 - BATT. CAPACITY meter:**
This meter displays the approximate charge level (in 20% increments) of the UPS's internal battery. During a blackout or severe brownout, the UPS switches to battery power, the BATTERY icon appears, and the charge level decreases.
 - LOAD CAPACITY meter:**
This meter displays the approximate output load level (in 20% increments) of the UPS battery outlets.
- For more information about functions setup, please refer to the *Function Setup Guide*.**

TROUBLESHOOTING

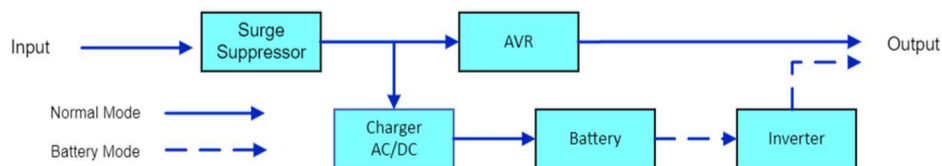
Problem	Possible Cause	Solution
Circuit breaker button is projecting from the back of the unit.	Circuit breaker has tripped due to an overload.	Turn the UPS off and unplug at least one piece of equipment. Wait 10 seconds, reset the circuit breaker by depressing the button, and then turn the UPS on.
The UPS does not perform expected runtime.	Battery not fully charged.	Recharge the battery by leaving the UPS plugged in.
	Battery is worn out.	Contact ADI/UltraTech U.S. 1-800-233-6261; Canada 877-234-7378; Puerto Rico 787-793-8830.
The UPS will not turn on.	The on/off switch is designed to prevent damage from rapidly turning it off and on.	Turn the UPS off. Wait 10 seconds and then turn the UPS on.
	The unit is not connected to an AC outlet.	The unit must be connected to a 120V 60Hz outlet.
	The battery is worn out.	Contact ADI/UltraTech U.S. 1-800-233-6261; Canada 877-234-7378; Puerto Rico 787-793-8830.
PowerPanel® Personal is inactive (all icons are gray).	Mechanical problem.	Contact ADI/UltraTech U.S. 1-800-233-6261; Canada 877-234-7378; Puerto Rico 787-793-8830.
	The USB cable is not connected.	Connect the USB cable to the UPS unit and an open USB port on the back of the computer. You must use the cable that came with the unit.
	The USB cable is connected to the wrong port.	Check the back of the computer for an additional USB port. Move the cable to this port.
	The unit is not providing battery power.	Shutdown your computer and turn the UPS off. Wait 10 seconds and turn the UPS back on. This should reset the unit.

TECHNICAL SPECIFICATIONS

Model	0E-1000V9RD	0E-1500V10RD
Capacity	1000VA / 600W	1500VA / 900W
Nominal Input Voltage	120V	
Input Frequency	60 Hz ± 3 Hz	
On-Battery Output Voltage	120Vac ± 5%*	
Max. Load for UPS Outlets (5 Outlets)	1000VA / 600W	1500VA / 900W
Max. Load for Full-Time Surge Protection outlets	12 Amp (9 outlets)	12 Amp (10 outlets)
On-Battery Output Wave Form	Simulated Sine Wave	
Operating Temperature	+ 32°F to 104°F / 0° C to 40° C	
Operating Relative Humidity	0 to 90% non-condensing	
Size (W x H x D)	3.9" x 9.0" x 10.2" (99 x 227.5 x 260mm)	3.9" x 9.8" x 13.7" (99 x 249 x 348 mm)
Net Weight	15.0lbs / 6.8kg	22.2lbs / 10.1kg
Typical Battery Recharge Time	8 hours typical from total discharge under 100% load	
Typical Battery Life	3 to 6 years, depending on number of discharge/recharge cycles	
Battery Type	Sealed Maintenance Free Lead Acid Battery	
Safety Approvals	UL1778(UPS), CSA C22.2 No.107.3, FCC/DoC Class B	

*Based on testing load less than 60%- if the load is over 60%, the output voltage range may exceed 5%.

SYSTEM FUNCTIONAL BLOCK DIAGRAM



FCC Compliance Statement

FCC Compliance Statement

This device complies with part 15 of the FCC rules. Operation is subject to the following two conditions: (1) this device may not cause harmful interference, and (2) this device must accept any interference received, including interference that may cause undesired operation.

Note: This equipment has been tested and found to comply with the limits for a Class B digital device, pursuant to part 15 of the FCC Rules. These limits are designed to provide reasonable protection against harmful interference in a residential installation. This equipment generates, uses and can radiate radio frequency energy and, if not installed and used in accordance with the instructions, may cause harmful interference to radio communications. However, there is no guarantee that interference will not occur in a particular installation. If this equipment does cause harmful interference to radio or television reception, which can be determined by turning the equipment off and on, the user is encouraged to try to correct the interference by one or more of the following measures:

- Reorient or relocate the receiving antenna.
- Increase the separation between the equipment and receiver.
- Connect the equipment to an outlet on a circuit different from that to which the receiver is connected.
- Consult the dealer or an experienced radio/TV technician for help.

Warning: Changes or modifications not expressly approved by the party responsible for compliance could void the user's authority to operate the equipment.

Canadian Compliance Statement

CAN ICES-3(B) / NMB-3(B)

Limited Warranty and Connected Equipment Guarantee

1. Limited Warranty

a. General

Subject to the terms and conditions of this Limited Warranty, from the date of sale through the period of time for product categories specified in Section 1(b), ADI warrants its UltraTech products to be free from defects in materials and workmanship under normal use and service, normal wear and tear excepted. Except as required by law, this Limited Warranty is only made to Buyer and may not be transferred to any third party. ADI shall have no obligation under this Limited Warranty or otherwise if:

- The product is improperly installed, applied or maintained;
- The product is installed outside of stated operating parameters, altered, or improperly serviced or repaired;
- Damage is caused by outside natural occurrences, such as lightning, power surges, fire, floods, acts of nature, or the like.
- Defects resulting from unauthorized modification, misuse, vandalism, or other causes unrelated to defective materials or workmanship, or failures related to batteries of any type used in connection with the products sold hereunder.

ADI only warrants those products branded as UltraTech products and sold by ADI. Any other products branded by third parties are warranted by the third party manufacturer for a period as defined by the third party manufacturer, and ADI assigns to Buyer those warranties and only those warranties extended by such third party manufacturers or vendors for non-ADI branded products. ADI does not itself warrant any non-ADI branded product and sells only on an as is basis in accordance with ADI's terms and conditions of sale.

b. Specific Warranties for product categories are as follows:

Product Categories	Warranty Period
SLA Batteries	12 months
CCTV Power Supplies	24 months
Surge Protection	24 months
UPS (uninterruptible power supplies)	24 months
Power and Relays	30 months
Network Switches/PoE Switches	Limited Lifetime
Alkaline Batteries	Limited Lifetime
Lithium Batteries	Limited Lifetime

2. EXCLUSION OF WARRANTIES, LIMITATION OF LIABILITY

THERE ARE NO WARRANTIES OR CONDITIONS, EXPRESS OR IMPLIED, OF MERCHANTABILITY, OR FITNESS FOR A PARTICULAR PURPOSE OR OTHERWISE, WHICH EXTEND BEYOND THE DESCRIPTION ON THE FACE HEREOF. TO THE FULLEST EXTENT PERMITTED BY LAW, IN NO CASE SHALL ADI BE LIABLE TO ANYONE FOR ANY (I) CONSEQUENTIAL, INCIDENTAL, INDIRECT, SPECIAL, OR PUNITIVE DAMAGES ARISING OUT OF OR RELATING IN ANY WAY TO THE PRODUCT AND/OR FOR BREACH OF THIS OR ANY OTHER WARRANTY OR CONDITION, EXPRESS OR IMPLIED, OR UPON ANY OTHER BASIS OF LIABILITY WHATSOEVER, EVEN IF THE LOSS OR DAMAGE IS CAUSED BY ADI'S OWN NEGLIGENCE OR FAULT AND EVEN IF ADI HAS BEEN ADVISED OF THE POSSIBILITY OF SUCH LOSSES OR DAMAGES. Any product description (whether in writing or made orally by ADI or ADI's agents), specifications, samples, models, bulletin, drawings, diagrams, engineering sheets, or similar materials used in connection with the Buyer's order are for the sole purpose of identifying ADI's products and shall not be construed as an express warranty or condition. Any suggestions by ADI or ADI's agents regarding use, applications or suitability of the products shall not be construed as an express warranty or condition unless confirmed to be such in writing by ADI. ADI does not represent that the products it sells may not be compromised or circumvented; that the products will prevent any personal injury or property loss by burglary, robbery, fire or otherwise, or that the products will in all cases provide adequate warning or protection. Buyer understands and will cause its customer to understand that a properly installed and maintained product is not insurance or guarantee that such will not cause or lead to personal injury or property loss. CONSEQUENTLY ADI SHALL HAVE NO LIABILITY FOR ANY PERSONAL INJURY, PROPERTY DAMAGE OR OTHER LOSS BASED ON ANY CLAIM AT ALL INCLUDING A CLAIM THAT THE PRODUCT FAILED TO GIVE WARNING. However, if ADI is held liable whether directly or indirectly for any loss or damage with respect to the products it sells, regardless of cause or origin, its maximum liability shall not in any case exceed the purchase price of the product, which shall be fixed as liquidated damages and not as a penalty and shall be the complete and exclusive remedy against ADI.

3. Limitation on Liability to Buyer's Customers.

Buyer agrees to limit liability to its customers to the fullest extent permitted by law. Buyer acknowledges that ADI shall only be deemed to give consumers of its products such statutory warranties as may be required by law and at no time shall Buyer represent to its customers and/or users of ADI products that ADI provides any additional warranties. By accepting the products, to the fullest extent permitted by law, Buyer assumes all liability for, and agrees to indemnify and hold ADI harmless against and defend ADI from, any and all suits, claims, demands, causes of action and judgments relating to damages, whether for personal injury or to personal property, suffered by any person, firm, corporation or business association, including but not limited to, Buyer's customers and/or users of the products because of any failure of the products to detect and/or warn of the danger for which the goods were designed or any other failure of the products whether or not such damages are caused or contributed to by the sold or joint concurring negligence or fault of ADI.

4. Returns

Subject to the terms and conditions listed below, during the applicable warranty period, ADI will replace Product or provide a credit at purchase at its sole option free of charge any defective products returned prepaid. Any obligations of ADI to replace Limited Lifetime warranty products pursuant to this warranty which result from defect are limited to the availability of replacement product. ADI reserves the right to replace any such products with the then currently available products, or provide a credit in its sole discretion. In the event Buyer has a problem with any ADI product, please call your local ADI branch for return instructions:

For US call 1-800-233-6261

For Canada call 877-234-7378

For Puerto Rico call 787-793-8830

Be sure to have the model number and the nature of the problem available. In the event of replacement, the return product will be credited to Buyer's account and a new invoice issued for the replacement item. ADI reserves the right to issue a credit only in lieu of replacement.

If any UltraTech product is found to be in good working order or such product's inability to function properly is a result of user damage or abuse, the product will be returned to Buyer in the same condition as received and Buyer shall be responsible for any return freight changes.

Governing Law

The laws of State of New York apply to this Limited Warranty.

5. Miscellaneous

Where any term of this Limited Warranty is prohibited by such laws, it shall be null and void, but the remainder of the Limited Warranty shall remain in full force and effect.

Connected Equipment Guarantee

How Do You Open A Connected Equipment Claim?

- For Connected Equipment Guarantee claims, contact Cyber Power Systems at (877) 297-6937 or write to Cyber Power Systems (USA), Inc., 4241 12th Ave. E., STE 400, Shakopee, MN 55379, or send an e-mail message at claims@cpsww.com for instructions, within 10 days of the occurrence.
- When you contact CyberPower, identify the Product, the Purchase Date, and the item(s) of Connected Equipment. Have information on all applicable insurance or other resources of recovery/payment that are available to the Initial Customer and Request a Claim Number.
- You must provide a dated purchase receipt (or other proof of the original purchase) and provide a description of the damage to your connected equipment.
- Pack and ship the product to CyberPower and, if requested, the item(s) of Connected Equipment, a repair cost estimate for the damage to the Connected Equipment, and all claim forms that CyberPower provides to you. Show the Claim Number on the shipping label or include it with the product. You must prepay all shipping costs, you are responsible for packaging and shipment, and you must pay the cost of the repair estimate.

How Long Do I Have To Make A Claim?

All claims must be made within ten days of the occurrence.

What Will CyberPower Do To Correct Problems?

CyberPower will inspect and examine the Product.

If it appears the UPS failed to protect any equipment plugged into it, CyberPower will send you forms for making your claim for the connected equipment. CyberPower will repair or replace the equipment that was damaged because of the failure of the UPS or pay you the fair market value (NOT REPLACEMENT COST) of the equipment at the time of the damage. CyberPower uses Orion Blue Book, or other a third-party valuation guides, or eBay, craigslist, or other source to establish that amount. The maximum liability is limited to \$350,000 for the 0E-1000V9RD and \$500,000 for the 0E-1500V10RD.

CONSIGNES IMPORTANTES DE SÉCURITÉ

CONSERVEZ CES INSTRUCTIONS

Ce manuel contient des instructions importantes qui doivent être suivies lors de l'installation et de la maintenance de l'UPS et des batteries. Lisez attentivement ce manuel avant de tenter de déballer, d'installer ou de faire fonctionner votre UPS.

ATTENTION ! Pour éviter tout risque d'incendie ou de choc électrique, effectuez l'installation dans une zone intérieure dans laquelle la température et l'humidité sont contrôlées et exempte de matières polluantes conductives. (Veuillez consulter les caractéristiques pour connaître les valeurs acceptables concernant la température et l'humidité).

ATTENTION ! Pour réduire tous risques de choc électrique, n'enlevez pas le couvercle sauf pour atteindre la batterie. Éteignez et débranchez l'appareil avant de manipuler les batteries. Il n'y a aucun composant manipulable par l'utilisateur à l'exception de la batterie.

ATTENTION ! Les composants actifs dangereux à l'intérieur peuvent être alimentés par la batterie même lorsque l'alimentation secteur est coupée.

ATTENTION ! L'UPS doit être connecté à une prise de courant CA avec protection par fusible ou disjoncteur. Ne pas brancher dans une prise qui n'est pas mise à la terre. Si vous devez mettre cet équipement hors tension, éteignez-le et débranchez-le.

ATTENTION ! Pour éviter tout choc électrique, éteignez l'appareil et débranchez-le de la source d'alimentation CA avant de manipuler la batterie.

ATTENTION ! Ne pas utiliser dans une salle informatique telle que définie dans la norme pour la protection des équipements informatiques/de traitement de données électroniques, ANSI/NFPA 75.

ATTENTION ! Pour réduire tout risque d'incendie, connectez seulement à une installation équipée d'un circuit de dérivation équipé d'un disjoncteur de 20A maximum pour la protection contre les surintensités conformément au code électrique national, ANSI/NFPA 70.

NE PAS UTILISER COMME ÉQUIPEMENT DE SOINS MÉDICAUX OU DE SURVIE ! ADI ne vend pas de produits pour le maintien de la vie ou des applications médicales. **NE PAS** utiliser dans des circonstances susceptibles d'affecter le fonctionnement et la sécurité des équipements de survie, des applications médicales ou des soins aux patients.

ATTENTION ! Destiné à être installé dans un endroit à l'intérieur sans contaminants conducteurs où la température est contrôlée. **NE PAS UTILISER AVEC OU PRÈS DES AQUARIUMS !** Pour réduire tout risque d'incendie ou d'électrocution, ne pas utiliser avec ou près d'un aquarium. La condensation provoquée par l'aquarium peut provoquer des courts-circuits.

NE PAS UTILISER LES UPS AVEC TOUT MOYEN DE TRANSPORT ! Pour réduire le risque d'incendie ou d'électrocution, n'utilisez pas l'appareil dans des transports tels que des avions ou des bateaux. L'effet des chocs ou des vibrations causés par le transport et un environnement humide peuvent provoquer un court-circuit de l'appareil.

ATTENTION ! Ce produit peut vous exposer à des produits chimiques, notamment le styrène et le bisphénol A (BPA), reconnus par l'État de Californie pour causer le cancer, des malformations congénitales ou d'autres troubles de la reproduction. Pour plus d'informations, rendez-vous sur www.P65Warnings.ca.gov.

INSTALLATION DE VOTRE SYSTÈME UPS

DÉBALLAGE

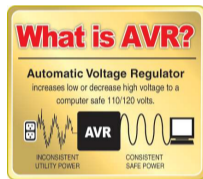
Inspectez l'UPS lors de la réception. La boîte doit contenir les éléments suivants : (a) UPS (b) Manuel de l'utilisateur (c) Câble de type USB A+B (d) Guide de configuration des fonctions (e) Carte de téléchargement du logiciel.

APERÇU

L'UPS fournit une protection électrique complète contre l'alimentation utilitaire qui n'est pas toujours cohérente. Le 0E-1000V9RD dispose de 1080 Joules et le 0E-1500V10RD dispose de 1500 Joules de protection contre les surtensions. L'appareil fournit une batterie de secours de longue durée pendant les pannes de courant avec des batteries sans entretien.

RÉGULATEUR DE TENSION AUTOMATIQUE

Le 0E-1000V9RD et le 0E-1500V10RD stabilisent l'alimentation électrique irrégulière à des niveaux nominaux sûrs pour l'équipement. Une alimentation électrique entrante irrégulière peut endommager des fichiers de données et du matériel importants, mais avec le régulateur de tension automatique (AVR), les niveaux de tension dommageables sont corrigés à des niveaux sûrs. Le régulateur augmente automatiquement la faible puissance utilitaire ou diminue la forte puissance utilitaire pour atteindre une tension constante et sûre de 110/120 volts.

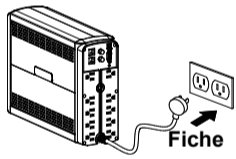


COMMENT DÉTERMINER LA TENSION ADÉQUATE DE VOTRE ÉQUIPEMENT

- Assurez-vous que l'équipement branché à l'UPS ne dépasse pas la capacité nominale de celui-ci (1000VA/600W pour 0E-1000V9RD et 1500VA/900W pour 0E-1500V10RD). Si les capacités nominales de l'unité sont dépassées, une condition de surcharge peut se produire et provoquer l'arrêt de l'UPS ou le déclenchement du disjoncteur.
- De nombreux facteurs peuvent influencer sur la quantité d'énergie nécessaire à votre système informatique. Il est suggéré que la charge placée sur les prises de batterie ne dépasse pas 80% de la capacité de l'appareil.

GUIDE D'INSTALLATION DU MATÉRIEL

- Vous pouvez utiliser votre nouvel UPS dès sa réception. Cependant, après avoir reçu un nouvel UPS, pour garantir la capacité de charge maximale de la batterie, il est recommandé de charger la batterie pendant au moins 8 heures. Votre UPS est équipé d'une fonction de charge automatique. Lorsque l'UPS est branché à une prise CA, la batterie se charge automatiquement que l'UPS soit allumé ou éteint. Remarque : Cet UPS est conçu avec une fonction de sécurité pour empêcher le système de se mettre en marche pendant l'expédition. La première fois que vous allumez l'UPS, vous devez le connecter à l'alimentation CA, sinon il ne s'allumera pas.
- Lorsque l'UPS est éteint et débranché, connectez votre ordinateur, votre moniteur et tout autre périphérique nécessitant une batterie de secours aux prises de courant alimentées par la batterie. Branchez les autres équipements périphériques (par exemple imprimante, scanner, haut-parleur, etc.) dans les prises permanentes de protection contre les surtensions. **NE PAS brancher une imprimante laser, une déchiqueteuse à papier, un copieur, un radiateur, un aspirateur, une pompe de puisard ou tout autre gros appareils électriques dans les « prises de batterie et de protection contre les surtensions ».** Les demandes d'alimentation de ces appareils entraîneront une surcharge et pourraient endommager l'UPS.
- Branchez l'UPS dans une prise à la terre bipolaire à 3 fils (prise murale). Assurez-vous que la prise de dérivation murale soit protégée par un fusible ou un disjoncteur et qu'elle ne dessert pas d'équipements à forte demande électrique (par exemple, climatiseur, réfrigérateur, copieur, etc.). La garantie interdit l'utilisation de rallonges, de multiprises et de multiprises avec l'UPS.
- Appuyez sur l'interrupteur d'alimentation pour allumer l'unité. Le voyant d'alimentation s'allume et l'appareil émet deux bips.
- Si une surcharge est détectée, une alarme sonore retentit et l'appareil émet un long bip. Éteignez l'UPS et débranchez au moins un équipement des prises alimentées par la batterie. Assurez-vous que le disjoncteur soit désactivé, puis allumez l'UPS.
- Pour maintenir un niveau de charge optimal de la batterie, laissez l'UPS branché à une prise secteur CA tout le temps.
- Pour stocker l'UPS pendant une période prolongée, couvrez-le et stockez-le avec la batterie complètement chargée. Pendant le stockage, rechargez la batterie tous les trois mois pour assurer une durée de vie de la batterie.
- Assurez-vous que la prise murale et l'UPS soient situés à proximité de l'équipement connecté pour une bonne accessibilité.



Fiche

- Affichage du module LCD**
L'affichage LCD indique toutes les informations de l'UPS à l'aide d'icônes et de messages. Pour plus d'informations veuillez consulter la section « Définitions des indicateurs LCD lumineux » ci-dessous.
- Bouton Afficher/Sélectionner**
Le bouton peut être utilisé pour sélectionner le contenu de l'écran LCD, y compris Input Voltage (tension d'entrée), Output Voltage (tension de sortie) et Estimated RunTime (temps de fonctionnement estimé). Appuyez brièvement sur le bouton pour faire défiler le menu des fonctions. Appuyer sur le bouton pendant 3 secondes gardera l'écran LCD toujours allumé ou éteindra l'écran LCD en mode d'alimentation utilitaire/CA. Pour plus d'informations, reportez-vous au *Guide de configuration des fonctions*.
- Bouton Mute/Enter**
Si vous maintenez le bouton enfoncé pendant plus de 3 secondes, l'alarme s'arrêtera. Appuyez brièvement sur le bouton ENTER pour confirmer le réglage. Une fois le réglage confirmé, l'écran LCD arrête de clignoter. Pour plus d'informations, reportez-vous au *Guide de configuration des fonctions*.
- Batterie de secours et prises protégées contre les surtensions**
L'UPS dispose de prises alimentées par batterie/suppression de surtension pour les équipements connectés afin d'assurer un fonctionnement ininterrompu temporaire de votre équipement pendant une panne de courant. **(NE PAS brancher une imprimante laser, une déchiqueteuse à papier, un copieur, un radiateur, un aspirateur, une pompe de puisard ou tout autre gros appareils électriques dans les « prises de batterie et de protection contre les surtensions ».** Les demandes d'alimentation de ces appareils peuvent surcharger et endommager l'unité.
- Prise de protection contre les surtensions à temps complet**
L'UPS dispose de 4/5 prises de suppression de surtension sans batterie de secours.
- Disjoncteur**
Situé à l'arrière de l'UPS, le disjoncteur sert à fournir une protection contre les surcharges et les pannes.
- Ports USB vers PC/Port DB9**
Le port USB permet la connexion et la communication entre l'ordinateur et l'unité UPS.
- Ports de protection des communications**
Les ports de protection de communication, bidirectionnels, protégeront une connexion Ethernet 10/100/1000 (RJ45).
- Indicateur de défaut de câblage (rouge)**
Cet indicateur LED s'allume pour avertir l'utilisateur qu'un problème de câblage existe, tel qu'une mauvaise masse, une masse manquante ou un câblage inversé. Si ce voyant est allumé, débranchez tous les équipements électriques de la prise et demandez à un électricien de vérifier que la prise soit correctement câblée. L'UPS ne fournira pas de protection contre les surtensions s'il n'est pas branché dans une prise murale mise à la terre et correctement câblée.
- Protection contre les surtensions Coax/Câble/DSS**
Les ports de protection Coax/Câble/DSS protégeront tout modem câble, convertisseur CATV ou récepteur DSS.
- Prises largement espacées conçues pour les adaptateurs secteur**
L'appareil dispose de deux prises largement espacées pour permettre de brancher des blocs d'adaptateur d'alimentation CA sur l'UPS sans bloquer les prises adjacentes.

REMPLACEMENT DE LA BATTERIE

Remplacement des batteries situées dans une ZONE D'ACCÈS DES OPÉRATEURS.

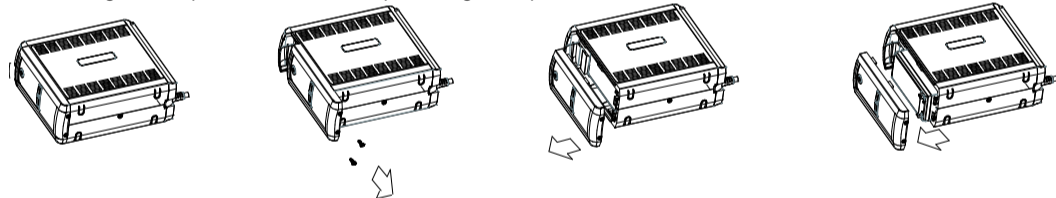
- Lors du remplacement des piles, remplacez-les par le même nombre de piles suivantes : CyberPower/RB1290 pour 0E-1000V9RD, CyberPower/RB1290X2 pour 0E-1500V10RD
- ATTENTION !** Risque de danger énergétique, batterie 12V, maximum 9 ampères-heure pour 0E-1000V9RD; batterie 24V, maximum 9 ampères-heure pour 0E-1500V10RD. Avant de remplacer les piles, retirez les bijoux conducteurs tels que les chaînes, les montres-bracelets et les bagues. Une énergie élevée à travers des matériaux conducteurs peut provoquer de graves brûlures.
- ATTENTION !** Ne jetez pas les batteries au feu. Les batteries peuvent exploser.
- ATTENTION !** Ne pas ouvrir ou détériorer les batteries. Les matières libérées sont nocives pour la peau et les yeux. Elle peut être toxique.
- ATTENTION !** Une batterie peut présenter un risque d'électrocution et contenir un fort courant électrique. Les précautions suivantes doivent être observées lors de travaux sur batteries :
 - Enlevez les bagues des montres ou tout autre objet métallique.
 - Utilisez des outils avec des poignées isolées.

ATTENTION - RISQUE D'EXPLOSION SI LA BATTERIE EST REMPLACÉE PAR UN TYPE INCORRECT. JETEZ LES BATTERIES USAGÉES CONFORMÉMENT AUX INSTRUCTIONS.

PROCÉDURE DE REMPLACEMENT DE LA BATTERIE :

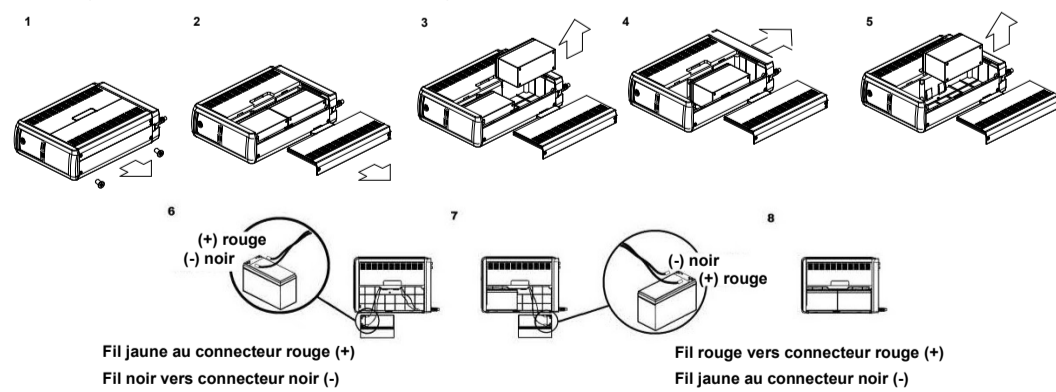
0E-1000V9RD

- Éteignez et débranchez tous les équipements connectés.
- Éteignez l'UPS et débranchez-le de la source d'alimentation CA.
- Retournez l'UPS sur le côté.
- Retirez les vis de fixation du panneau avant situées sur la partie inférieure de l'UPS.
- Retirez complètement le couvercle en le faisant glisser du compartiment de la batterie de l'appareil.
- Débranchez les fils de batterie des batteries.
- Retirez les batteries du compartiment.
- Installez les batteries de recharge en connectant le fil rouge (+) et le fil noir (-) aux connecteurs de même couleur.
- Remettez les batteries dans le compartiment.
- Remettez le couvercle du compartiment de la batterie en le faisant glisser et serrez les vis de fixation.
- Rechargez l'UPS pendant 8 à 16 heures pour charger complètement la batterie.



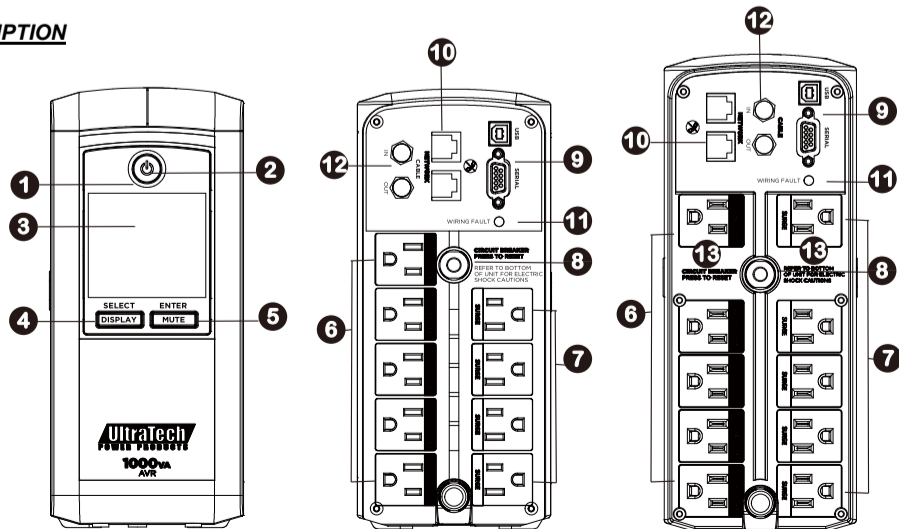
0E-1500V10RD

- Éteignez et débranchez tous les équipements connectés.
- Éteignez l'UPS et débranchez-le de la source d'alimentation CA.
- Retournez l'UPS sur le côté.
- Retirez les deux vis de fixation situées sur la partie inférieure de l'UPS.
- Faites glisser complètement le couvercle du compartiment des piles hors de l'appareil.
- Retirez la batterie qui se trouve sur le côté droit du compartiment.
- Débranchez les fils de la batterie de la batterie.
- Faites glisser la batterie restante de la gauche vers la droite et retirez-la du compartiment.
- Débranchez les fils de batterie de la batterie restante.
- Installez la batterie de remplacement « côté gauche » en connectant le fil jaune (+) au connecteur rouge de la batterie et le fil noir (-) au connecteur noir de la batterie. Placez la batterie dans le côté gauche du compartiment.
- Installez la batterie de remplacement « côté droit » en connectant le fil jaune (+) au connecteur rouge de la batterie et le fil noir (-) au connecteur noir de la batterie. Placez la batterie dans le côté droit du compartiment. Remarque : Seules des piles neuves doivent être utilisées pour le remplacement et les deux piles doivent être remplacées en même temps pour assurer une durée de vie maximale.
- Remettez le couvercle du compartiment de la batterie en le faisant glisser et serrez les vis de fixation.
- Chargez l'UPS pendant 8 à 16 heures pour charger complètement la batterie.



FONCTIONS DE BASE

DESCRIPTION



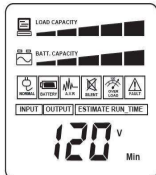
0E-1000V9RD

0E-1500V10RD

- Interrupteur de mise sous tension**
Utilisé comme interrupteur marche/arrêt principal pour l'équipement connecté aux prises alimentées par la batterie. (Veuillez vous référer au *Guide de configuration des fonctions* pour plus d'informations.)
- Voyant de mise sous tension**
Ce voyant s'allume lorsque l'alimentation secteur est normale et que les prises de l'UPS fournissent du courant.

RAPPEL : Les batteries sont considérées comme des **DÉCHETS DANGEREUX** et doivent être éliminées correctement. La plupart des détaillants qui vendent des batteries au plomb collectent les batteries usagées pour les recycler, conformément aux réglementations locales.

DÉFINITIONS POUR LES TÉMOINS LUMINEUX LCD



L'écran LCD indique une variété de conditions opérationnelles UPS. Toutes les descriptions s'appliquent lorsque l'onduleur est branché sur une prise CA et allumé ou lorsque l'onduleur est sur la batterie.

- 1. Voltmètre INPUT (d'entrée) :**
Ce compteur mesure la tension CA que le système UPS reçoit de la prise murale. L'UPS est conçu, grâce à l'utilisation d'un régulateur de tension automatique, pour corriger en continu la tension de sortie vers l'équipement connecté à une plage de sortie de tension sûre de 120. Dans le cas d'une coupure totale de courant, d'une forte chute de tension ou d'une surtension, l'UPS fait appel à ses batteries internes de secours pour fournir une tension de sortie adéquate de 110/120 V. Le voltmètre INPUT peut être utilisé comme outil de diagnostic pour identifier une alimentation d'entrée de mauvaise qualité.
- 2. Voltmètre OUTPUT (de sortie) :**
Ce compteur mesure, en temps réel, la tension CA que le système UPS fournit à l'ordinateur, par exemple en mode ligne normale, en mode AVR et en mode batterie de secours. (Remarque : Le compteur OUTPUT indique l'état des prises de secours de la batterie.)
- 3. ESTIMATED RUN TIME :**
Cela affiche l'estimation de la durée de fonctionnement de l'UPS avec la capacité et la charge actuelles de la batterie.
- 4. Icône NORMAL :**
Cette icône apparaît lorsque l'UPS opère dans des conditions normales.
- 5. Icône BATTERY :**
Lors d'une forte chute de tension ou d'une coupure de courant, cette icône apparaît et une alarme sonore retentit (deux bips courts suivis d'une pause) pour indiquer que l'UPS fonctionne à l'aide de ses batteries de secours. Lors d'une chute de tension ou d'une coupure de courant prolongée, l'alarme sonnera continuellement pour indiquer que les batteries de l'UPS sont presque déchargées. Vous devriez sauvegarder vos fichiers et éteindre vos appareils immédiatement ou permettre au logiciel d'éteindre le système.
- 6. Icône AVR (régulateur automatique de tension) :**
Cette icône apparaît chaque fois que votre UPS corrige automatiquement une faible tension de ligne CA sans utiliser l'alimentation de la batterie. Il s'agit d'un fonctionnement normal et automatique de votre UPS et aucune action n'est requise de votre part.
- 7. Icône SILENT MODE :**
Cette icône apparaît chaque fois que l'UPS est en mode silencieux.
- 8. Icône OVERLOAD :**
Cette icône apparaît et une alarme retentit pour indiquer que les prises alimentées par batterie sont surchargées. Pour éliminer la surcharge, débranchez certains de vos appareils des prises alimentées par la batterie jusqu'à ce que l'icône disparaisse et que l'alarme s'arrête.
- 9. Icône DÉFAUT :**
Cette icône apparaît en cas de problème avec l'UPS, contactez ADI/UltraTech US 1-800-233-6261; Canada 877-234-7378; Porto Rico 787-793-8830
- 10. Compteur BATT. CAPACITY :**
Ce compteur affiche le niveau de charge approximatif (par incréments de 20 %) de la batterie interne de l'UPS. Lors d'une panne de courant ou d'une baisse de tension importante, l'UPS passe en mode batterie (l'icône BATTERY apparaît) et le niveau de charge diminue.
- 11. Compteur LOAD CAPACITY :**
Ce compteur affiche le niveau de charge de sortie approximatif des prises de batterie de l'UPS par incréments de 20 %.

Pour plus d'informations, reportez-vous au **Guide de configuration des fonctions**.

DÉPANNAGE

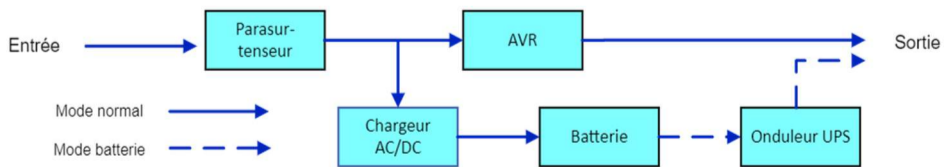
Problème	Cause possible	Solution
Le bouton du disjoncteur dépasse à l'arrière de l'appareil.	Le disjoncteur s'est déclenché en raison d'une surcharge.	Éteignez l'UPS et débranchez au moins un appareil. Attendez 10 secondes, réinitialisez le disjoncteur en appuyant sur le bouton, puis allumez l'UPS.
L'UPS n'opère pas pendant la durée attendue.	La batterie n'est pas totalement chargée.	Rechargez la batterie en laissant l'UPS branché.
	La batterie est usée.	Contactez ADI/UltraTech US 1-800-233-6261; Canada 877-234-7378; Porto Rico 787-793-8830.
L'UPS ne s'allume pas.	L'interrupteur on/off (allumé/éteint) est conçu pour éviter les dommages occasionnés lors d'une activation et désactivation trop rapide.	Éteignez l'UPS. Attendez 10 secondes et ensuite allumez l'UPS.
	L'unité n'est pas connectée à une prise secteur CA.	L'appareil doit être branché sur une prise 120V 60Hz.
	La batterie est usée.	Contactez ADI/UltraTech US 1-800-233-6261; Canada 877-234-7378; Porto Rico 787-793-8830.
PowerPanel® Personal Edition est inactif (toutes les icônes sont grises).	Problème mécanique.	Contactez ADI/UltraTech US 1-800-233-6261; Canada 877-234-7378; Porto Rico 787-793-8830.
	Le câble USB n'est pas connecté.	Connectez le câble USB à l'UPS et à un port USB libre à l'arrière de l'ordinateur. Vous devez utiliser le câble fourni avec l'appareil.
	Le câble USB est connecté à un mauvais port.	Vérifiez l'arrière de l'ordinateur pour un port USB supplémentaire. Déplacez le câble vers ce port.
	L'UPS ne fournit pas d'alimentation depuis la batterie.	Éteignez votre ordinateur et éteignez l'UPS. Attendez 10 secondes et ensuite rallumez l'UPS. Cela devrait réinitialiser l'appareil.

SPÉCIFICATIONS TECHNIQUES

Modèle	0E-1000V9RD	0E-1500V10RD
Capacité	1000VA / 600W	1500VA / 900W
Tension d'entrée nominale	120V	
Fréquence d'entrée	60 Hz ± 3 Hz	
Tension de sortie sur batterie	120Vac ± 5%	
Charge max. pour les prises de l'UPS (5 prises)	1000VA / 600W	1500VA / 900W
Charge max. pour les prises de protection contre les surtensions à temps plein	12 ampères (9 prises)	12 ampères (10 prises)
Forme d'onde de sortie sur batterie	Onde sinusoïdale simulée	
Température de fonctionnement	+ 32°F à 104°F / 0° C à 40° C	
Humidité relative de fonctionnement	0 à 90% (sans condensation)	
Dimensions (L x H x P) :	3,9" x 9,0" x 10,2" (99 x 227,5 x 260mm)	3,9" x 9,8" x 13,7" (99 x 249 x 348 mm)
Poids net	15,0 lbs / 6,8 kg	22,2 lbs / 10,1 kg
Temps de charge habituel de la batterie	8 heures typiques à partir de la décharge totale sous une charge de 100 %	
Durée de vie habituelle de la batterie	3 à 6 ans selon les cycles de décharge/recharge	
Type de batterie	Batterie plomb-acide scellée sans entretien	
Homologations de sécurité	UL1778(UPS), CSA C22.2 No.107.3, FCC/DoC Classe B	

*Basé sur une charge de test inférieure à 60 % - si la charge est supérieure à 60 %, la plage de tension de sortie peut dépasser 5 %.

SCHEMA DE FONCTIONNEMENT DU SYSTEME



Déclaration de conformité FCC

Déclaration de conformité FCC

Cet appareil est conforme à la partie 15 des règles de la FCC. Le fonctionnement est soumis aux deux conditions suivantes :

(1) cet appareil ne doit pas causer d'interférences nuisibles et (2) cet appareil doit accepter toute interférence reçue, y compris les interférences susceptibles de provoquer un fonctionnement indésirable.

Remarque : Cet équipement a été testé et déclaré conforme aux limites d'un dispositif numérique de classe B, conformément à la Section 15 des Régulations de la FCC. Ces limites sont établies en vue de fournir une protection raisonnable contre tout brouillage dans une installation résidentielle. Cet équipement génère, utilise et peut émettre de l'énergie de radiofréquence et, s'il n'est pas installé et utilisé conformément aux instructions, peut causer des interférences nuisibles aux communications radio. Cependant, il n'y a aucune garantie que des interférences ne se produiront pas dans une installation particulière. Si cet équipement cause des interférences nuisibles à la réception radio ou télévision, ce qui peut être déterminé en éteignant et en rallumant l'équipement, l'utilisateur est encouragé à essayer de corriger l'interférence par une ou plusieurs des mesures suivantes :

- Réorientez ou déplacez l'antenne de réception.

- Augmenter la distance entre l'équipement et le récepteur.
- Branchez l'équipement sur une prise d'un circuit différent de celui sur lequel le récepteur est branché.
- Consultez le revendeur ou un technicien radio/TV expérimenté pour obtenir de l'aide.

Avertissement : Les changements ou modifications non expressément approuvés par la partie responsable de la conformité pourraient annuler l'autorité de l'utilisateur à faire fonctionner l'équipement.

Déclaration de conformité canadienne

CAN ICES-3(B) / NMB-3(B)

Garantie limitée et Garantie pour le matériel connecté

1. Garantie limitée

a. Général

Sous réserve des termes et conditions de cette garantie limitée, à compter de la date de vente jusqu'à la période de temps pour les catégories de produits spécifiées dans la section 1 (b), ADI garantit que ses produits UltraTech sont exempts de défauts de matériaux et de fabrication dans des conditions normales d'utilisation et service, usure normale exceptée. Sauf si la loi l'exige, cette garantie limitée s'adresse uniquement à l'acheteur et ne peut être transférée à un tiers.

ADI n'aura aucune obligation en vertu de cette garantie limitée ou autrement si :

- Le produit est mal installé, appliqué ou entretenu ;
- Le produit est installé en dehors des paramètres de fonctionnement indiqués, modifié ou mal entretenu ou réparé ;
- Les dommages sont causés par des événements naturels extérieurs, tels que la foudre, les surtensions, les incendies, les inondations, les actes de la nature, etc.
- Les défauts résultant d'une modification non autorisée, d'une mauvaise utilisation, de vandalisme ou d'autres causes sans rapport avec des matériaux ou une fabrication défectueuse, ou des pannes liées aux batteries de tout type utilisées en relation avec les produits vendus ci-dessous.

ADI ne garantit que les produits de la marque UltraTech et vendus par ADI. Tous les autres produits de marque de tiers sont garantis par le fabricant tiers pendant une période définie par le fabricant tiers, et ADI attribue à l'acheteur ces garanties et uniquement les garanties étendues par ces fabricants ou vendeurs tiers pour des produits de marque non ADI. ADI ne garantit elle-même aucun produit de marque autre qu'ADI et ne vend que tel quel, conformément aux conditions générales de vente d'ADI.

b. Les garanties spécifiques pour les catégories de produits sont les suivantes :

Catégories de produits	Période de garantie
Batteries SLA	12 mois
Alimentations CCTV	24 mois
Protection contre les surtensions	24 mois
UPS (alimentations sans coupure)	24 mois
Alimentation et relais	30 mois
Commutateurs réseau/Commutateurs PoE	Durée de vie limitée
Piles alcalines	Durée de vie limitée
Batteries à lithium	Durée de vie limitée

2. EXCLUSION DE GARANTIES, LIMITATION DE RESPONSABILITÉ

IL N'EXISTE AUCUNE GARANTIE OU CONDITION, EXPRESSE OU IMPLICITE, DE COMMERCIALITÉ, D'ADÉQUATION À UN USAGE PARTICULIER OU AUTRE, QUI S'ÉTENDE AU-DELÀ DE LA DESCRIPTION FIGURANT AU RECTO DU PRÉSENT DOCUMENT. DANS TOUTE LA MESURE PERMISE PAR LA LOI, ADI NE SERA EN AUCUN CAS RESPONSABLE ENVERS QUICONQUE DE TOUT (I) DOMMAGE CONSÉCUTIF, ACCIDENTEL, INDIRECT, SPÉCIAL OU PUNITIF DÉCOULANT DE OU LIÉ DE QUELQUE MANIÈRE QUE CE SOIT AU PRODUIT ET À LA GARANTIE, OU DE LA VIOLATION DE CETTE GARANTIE OU DE TOUTE AUTRE GARANTIE OU CONDITION, EXPRESSE OU IMPLICITE, OU SUR TOUTE AUTRE BASE DE RESPONSABILITÉ QUELLE QU'ELLE SOIT, MÊME SI LA PERTE OU LE DOMMAGE EST CAUSÉ PAR LA NÉGLIGENCE OU LA FAUTE D'ADI ET MÊME SI ADI A ÉTÉ INFORMÉ DE LA POSSIBILITÉ DE TELLES PERTES OU DE TELS DOMMAGES. Toute description de produit (qu'elle soit écrite ou faite oralement par ADI ou les agents d'ADI), toute spécification, tout échantillon, tout modèle, tout bulletin, tout dessin, tout diagramme, toute fiche technique ou tout autre matériel similaire utilisé dans le cadre de la commande de l'acheteur a pour seul but d'identifier les produits d'ADI et ne doit pas être interprété comme une garantie ou une condition expresse. Toute suggestion d'ADI ou des agents d'ADI concernant l'utilisation, les applications ou l'adéquation des produits ne doit pas être interprétée comme une garantie expresse ou une condition à moins qu'elle ne soit confirmée par écrit par ADI. ADI ne garantit pas que les produits qu'elle vend ne peuvent pas être compromis ou contournés, que les produits empêcheront tout dommage corporel ou matériel par cambriolage, vol, incendie ou autre, ou que les produits fourniront dans tous les cas un avertissement ou une protection adéquats. L'acheteur comprend et fera comprendre à son client qu'un produit correctement installé et entretenu n'est pas une assurance ou une garantie qu'il ne causera pas ou n'entraînera pas de blessures ou de pertes de biens. PAR CONSÉQUENT, ADI N'EST PAS RESPONSABLE DES BLESSURES CORPORELLES, DES DOMMAGES MATÉRIELS OU DE TOUTE AUTRE PERTE FONDÉE SUR UNE QUELCONQUE RÉCLAMATION, Y COMPRIS UNE RÉCLAMATION SELON LAQUELLE LE PRODUIT N'A PAS DONNÉ D'AVERTISSEMENT. Toutefois, si ADI est tenue responsable, directement ou indirectement, de toute perte ou de tout dommage concernant les produits qu'elle vend, quelle qu'en soit la cause ou l'origine, sa responsabilité maximale ne pourra en aucun cas excéder le prix d'achat du produit, qui sera fixé à titre de dommages-intérêts liquidés et non de pénalité et constituera le recours complet et exclusif à l'encontre d'ADI.

3. Limitation de la responsabilité envers les clients de l'acheteur.

L'acheteur s'engage à limiter la responsabilité envers ses clients dans toute la mesure permise par la loi. L'acheteur reconnaît qu'ADI ne sera réputée donner aux consommateurs de ses produits que les garanties statutaires requises par la loi et qu'à aucun moment l'acheteur ne devra déclarer à ses clients et/ou utilisateurs des produits ADI qu'ADI fournit des garanties supplémentaires. En acceptant les produits, dans toute la mesure permise par la loi, l'acheteur assume toute responsabilité pour, et accepte d'indemniser et de tenir ADI à l'écart et de défendre ADI contre tout procès, réclamation, demande, cause d'action et jugement relatif à des dommages, que ce soit pour des blessures personnelles ou des biens personnels, subis par toute personne, entreprise, personne, entreprise, société ou association commerciale, y compris, mais sans s'y limiter, les clients de l'acheteur et/ou les utilisateurs des produits en raison de toute défaillance des produits à détecter et/ou à avertir du danger pour lequel les biens ont été conçus ou de toute autre défaillance des produits, que ces dommages soient ou non causés ou favorisés par la négligence ou la faute d'ADI, qu'elle soit conjointe ou concomitante.

4. Renvois

Sous réserve des termes et conditions énumérés ci-dessous, pendant la période de garantie applicable, ADI remplacera le produit ou fournira un crédit à l'achat, à sa seule discrétion et sans frais, pour tout produit défectueux renvoyé avec port payé. Toute obligation d'ADI de remplacer les produits sous garantie à vie limitée en vertu de cette garantie qui résultent d'un défaut est limitée à la disponibilité du produit de remplacement. ADI se réserve le droit de remplacer ces produits par les produits actuellement disponibles ou d'accorder un crédit à sa seule discrétion. Si l'acheteur rencontre un problème avec un produit ADI, veuillez appeler votre succursale ADI locale pour obtenir des instructions de retour :

Pour les États-Unis, appelez le 1-800-233-6261

Pour le Canada, appelez le 877-234-7378

Pour Porto Rico, appelez le 787-793-8830

Assurez-vous de disposer du numéro de modèle et de la nature du problème. En cas de remplacement, le produit renvoyé sera crédité sur le compte de l'acheteur et une nouvelle facture sera émise pour l'article de remplacement. ADI se réserve le droit d'émettre un avoir uniquement au lieu d'un remplacement.

Si un produit UltraTech s'avère être en bon état de fonctionnement ou si l'incapacité d'un tel produit à fonctionner correctement est le résultat d'un dommage ou d'un abus de la part de l'utilisateur, le produit sera retourné à l'acheteur dans le même état que celui dans lequel il a été reçu et l'acheteur sera responsable de tous les frais de transport de retour.

Droit applicable

Les lois de l'État de New York s'appliquent à la présente garantie limitée.

5. Divers

Si l'une des conditions de la présente garantie limitée est interdite par ces lois, elle sera nulle et non avenue, mais le reste de la garantie limitée restera pleinement en vigueur.

Garantie Matériel Connecté

Comment ouvrir un dossier de demande d'indemnisation pour un équipement connecté ?

- Pour les réclamations relatives à la garantie sur les équipements connectés, contactez Cyber Power Systems au (877) 297-6937 ou écrivez à Cyber Power Systems (USA), Inc. 4241 12th Ave. E., STE 400, Shakopee, MN 55379, ou envoyez un e-mail à claims@cpswww.com pour obtenir des instructions, dans les 10 jours suivant l'événement.
- Lorsque vous contactez CyberPower, identifiez le produit, la date d'achat et le(s) équipement(s) connecté(s). Disposer d'informations sur toutes les assurances applicables ou autres ressources de recouvrement/paiement dont dispose le client initial et demander un numéro de réclamation.
- Vous devez fournir un reçu d'achat daté (ou une autre preuve de l'achat initial) et décrire les dommages subis par votre équipement connecté.
- Emballez et expédiez le produit à CyberPower et, sur demande, le(s) article(s) de l'équipement connecté, un devis de réparation pour les dommages causés à l'équipement connecté et tous les formulaires de réclamation que CyberPower vous fournit. Indiquez le numéro de réclamation sur l'étiquette d'expédition ou joignez-la au produit. Vous devez payer à l'avance tous les frais d'expédition, vous êtes responsable de l'emballage et de l'expédition, et vous devez payer le coût du devis de réparation.

Combien de temps ai-je pour déposer une demande d'indemnisation ?

Toute demande d'indemnisation doit être présentée dans les dix jours suivant l'événement.

Que fera CyberPower pour corriger les problèmes ?

CyberPower va inspecter et examiner le Produit. S'il s'avère que l'UPS n'a pas protégé l'équipement qui y était branché, CyberPower vous enverra des formulaires de demande d'indemnisation pour l'équipement connecté. CyberPower réparera ou remplacera l'équipement qui a été endommagé en raison de la panne de l'UPS ou vous paiera la juste valeur marchande (PAS LE COÛT DE REMPLACEMENT) de l'équipement au moment du dommage. CyberPower utilise Orion Blue Book, ou d'autres guides d'évaluation tiers, ou eBay, Craigslist ou une autre source pour établir ce montant. La responsabilité maximale est limitée à 350 000 \$ pour le 0E-1000V9RD et 500 000 \$ pour le 0E-1500V10RD.

Tous droits réservés. Toute reproduction est interdite sans autorisation préalable.