

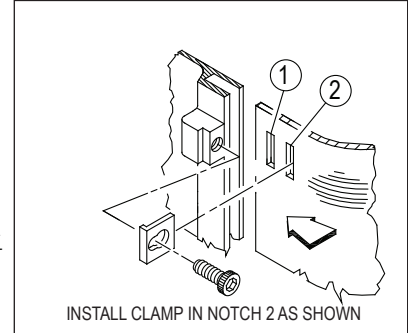
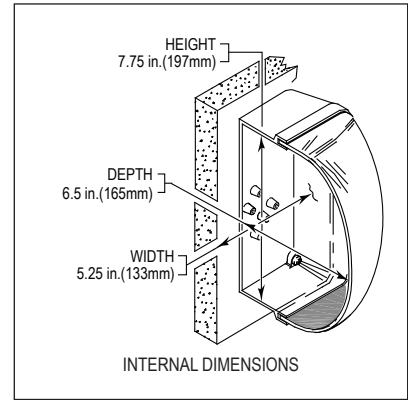
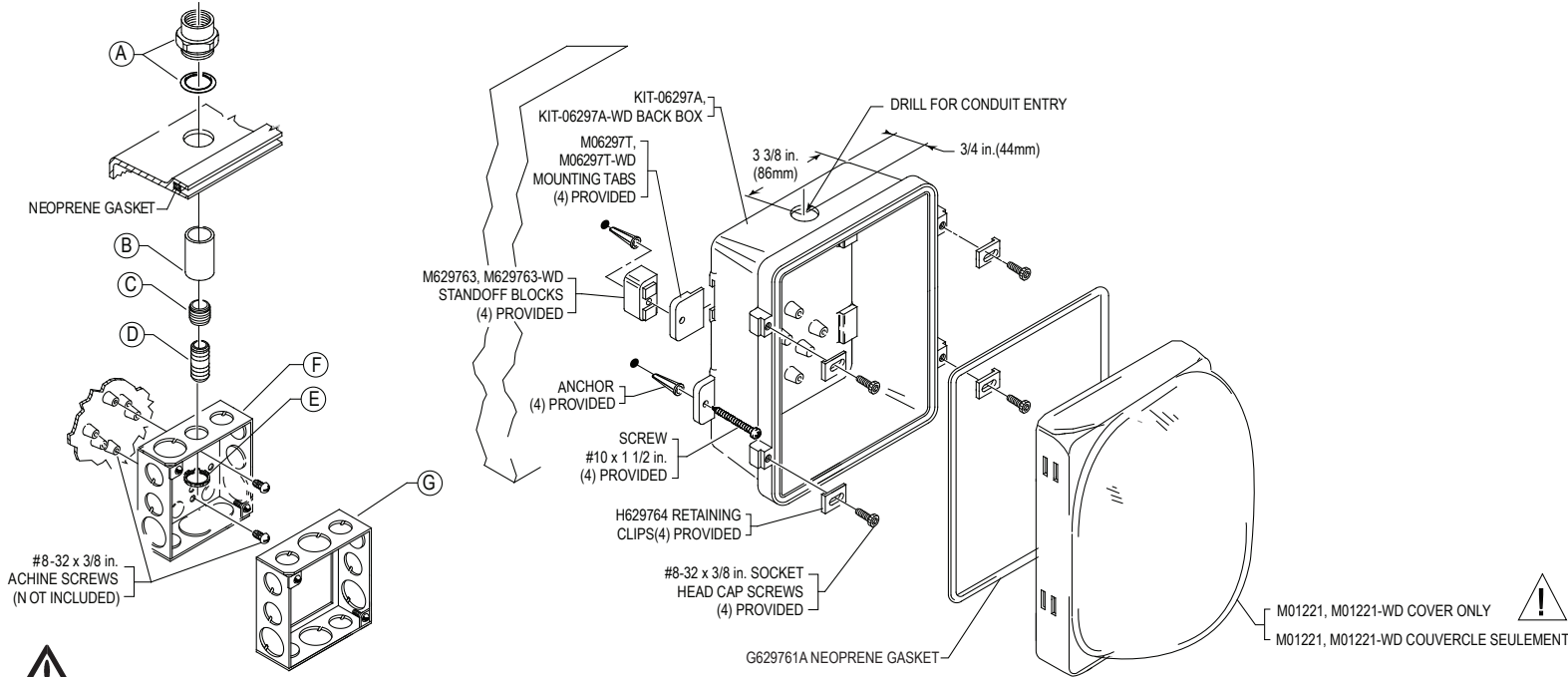


Safety Technology International

2306 Airport Road
Waterford • Michigan • 48327-1209
Phone: 248-673-9898
E-mail: info@sti-usa.com • Web: www.sti-usa.com

Taylor House • 34 Sherwood Road • Bromsgrove
Worcestershire • B60 3DR • England
Tel: +44 (0)1527 520 999
E-mail: info@sti-emea.com • Web: www.sti-emea.com

Unit 7A • Lockheed Avenue
Airport Business Park
Waterford • X91 HWF2 • Ireland
E-mail: info@sti-emea.com



INSTALLATION NOTES

1. Damage Stopper must be installed to comply with applicable NEC, NFPA and local codes.
2. In areas where frequent wash downs occur, standoff blocks must be used.
3. Damage Stopper may be installed outdoors when appliance carries an outdoor rating.

REMARQUES SUR L'INSTALLATION

1. Le Stopper de dégâts doit être installé de sorte à être conforme avec les normes NEC, NFPA applicables et les codes locaux.
2. Dans les zones où des jets d'eau fréquents surviennent, des blocs de détection à distance doivent être utilisés.
3. Il est possible d'installer un Stopper de dégâts à l'extérieur lorsque l'appareil est homologué pour utilisation à l'extérieur.

INSTALLATION INSTRUCTIONS - REFER TO EXPLODED VIEW

1. Insert the (4) external mounting tabs into the frame assembly slots.
2. Using back box assembly as a template, place against mounting surface at proper location according to NFPA 72.
3. Mark and drill (4) holes 1/4 in. (6.3mm) diameter, 1 1/4 in. (32mm) deep.
4. Insert the (4) anchors into the wall.
5. Mount back box to wall with screws.
6. Install electrical fittings as needed.
7. Install strobe appliance.
8. Install cover with clips and screws.
9. Test appliance according to appliance manufacturer's instructions.

FOR CONDUIT INSTALLATION (NOT INCLUDED)

- "A" Rain-tight hub with neoprene o-ring threaded for 3/4 in. NPT rigid conduit
- "B" 3/4 in. female adapter
- "C" 3/4 in. - 1/2 in. reducing bushing
- "D" Galvanized 1/2 x 1 in. conduit nipple
- "E" 1/2 in. conduit lock nut
- "F" 4 in. square back box
- "G" 4 in. square box extension (optional). Use to extend strobe into cover area.

CLEANING INSTRUCTIONS

Rinse with water to remove abrasive dust and dirt. Wash with soap or mild detergent, using a soft cloth (do not scrub). Rinse once more then dry with a soft cloth or chamois. To remove grease or wet paint, rub gently with a cloth wetted with naphtha. Then wash and rinse. DO NOT USE RAZOR BLADES.



WARNING: This product can expose you to chemicals including Dichloromethane, which is known to the State of California to cause cancer, and Bisphenol A (BPA), which is known to the State of California to cause birth defects or other reproductive harm.

For more information go to www.P65Warnings.ca.gov.

Three year warranty or a one year limited warranty (from date of purchase) on most products. See website for details. Electronic warranty form at www.sti-usa.com/wc14.



USA

STI-1221A4X, STI-1221A4X-WD STROBE DAMAGE STOPPER®
All specifications and information shown were current as of publication and are subject to change without notice.

1221A4XIS SEPT2021



EMEA

UL INSTALLATION REQUIREMENTS STI-1210 / STI-1221 SERIES

CAUTION

- This enclosure is rated to protect signaling appliances indoors and in areas of indirect weather exposure. The cover may be used outdoors only with devices also suitable for outdoor use.
- When covering fire-signaling appliances with this enclosure, some light and sound loss occurs. Please follow these guidelines listed during installation.
- Voice speaker appliance: No spacing adjustment is required for 0.5W, 1.0W and 2.0W appliances.
- Refer to the appliance manufacturer's candela rating. Multiply this number by the light loss value from the chart below to determine the new candela rating. Use this number and refer to the notification layout table of NFPA 72 for proper device locations.
- The use of this cover on audible devices decreases the sound output by 6dB(A). Actual sound level output should be checked after installation to determine if adequate sound levels exist. Refer to the notification layout table of NFPA 72 for proper device locations.

Attention

- Ce boîtier est homologué pour protéger les appareils de signalisation d'incendie à l'intérieur et dans les zones d'exposition indirecte aux intempéries. Le couvercle ne peut être utilisé à l'extérieur qu'avec les appareils appropriés pour une utilisation à l'extérieur aussi.
- Le fait de couvrir les appareils de signalisation d'incendie au moyen de ce boîtier risque d'entraîner une certaine perte lumineuse et sonore. Veuillez vous conformer à ces directives lors de l'installation.
- Haut-parleur: Aucun ajustement de distance n'est nécessaire pour les appareils à tension de 0,5 W, 1,0 W et 2,0 W.
- Reportez-vous à la cote candéla du fabricant de l'appareil. Multipliez cette valeur par la valeur de la perte de lumière du tableau ci-dessous pour déterminer la nouvelle cote candéla. Utilisez cette nouvelle valeur et reportez-vous au tableau de disposition des alertes de la norme NFPA 72 pour les emplacements appropriés de l'appareil.
- L'utilisation de ce couvercle sur les dispositifs sonores diminue la puissance sonore de 6 dB(A). Le niveau réel de la sortie sonore doit être vérifié après l'installation pour déterminer le maintien de niveaux sonores adéquats. Reportez-vous au tableau de disposition des alertes de la norme NFPA 72 pour les emplacements appropriés de l'appareil.

Performance Review - LIGHT DERATING FACTOR

MANUFACTURER	SERIES	STI-1210	STI-1221/1221A4X	MANUFACTURER	SERIES	STI-1210	STI-1221/1221A4X
ADT SECURITY	ADTG1-V SERIES	40%	34%	HONEYWELL	XLS202 SERIES	43%	45%
AMSECO	SL24W-153075	47%	26%	HONEYWELL	XLSG1-HV SERIES	40%	34%
AMSECO - COLORED LENSES	SL24W-153075 A, B, G, OR R	47%	26%	HONEYWELL	XLSG1-HOV SERIES	40%	34%
AMSECO - COLORED LENSES	SL24C-3075110 A, B, G, OR R	47%	26%	MIRCOM	FS-240	47%	26%
AMSECO - COLORED LENSES	CSL24W-A, B, G, OR R	47%	26%	MIRCOM	MS SERIES	43%	45%
AMSECO - COLORED LENSES	CSL24C-A, B, G, OR R	47%	26%	MIRCOM	MG1-V SERIES	40%	34%
DETECTION SYSTEMS	GES24 SERIES	—	31%	MIRCOM	MG1-HV SERIES	40%	34%
EST/EDWARDS	2440S SERIES	43%	45%	MIRCOM	MG1-HOV SERIES	40%	34%
EST/EDWARDS	202 SERIES	43%	45%	MIRCOM	MG1-V SERIES	40%	34%
EST/EDWARDS	G1-V SERIES	40%	34%	MIRCOM	MG1-HV SERIES	40%	34%
EST/EDWARDS	G1-HV SERIES	40%	34%	MIRCOM	MG1-HOV SERIES	40%	34%
EST/EDWARDS	G1-HOV SERIES	40%	34%	MIRCOM	MG1-V SERIES	40%	34%
EST/EDWARDS	EG1-V SERIES	40%	34%	MIRCOM	MG1-HV SERIES	40%	34%
EST/EDWARDS	EG1-HV SERIES	40%	34%	MIRCOM	MG1-HOV SERIES	40%	34%
EST/EDWARDS	EG1-HOV SERIES	40%	34%	MIRCOM	MG1-V SERIES	40%	34%
FARADAY LLC	2700	—	57%	MIRCOM	MG1-HV SERIES	40%	34%
GENTEX	GES24 SERIES	—	31%	MIRCOM	MG1-HOV SERIES	40%	34%
HARRINGTON SIGNAL	GES24 SERIES	—	31%	MIRCOM	MG1-V SERIES	40%	34%
HONEYWELL	XLSG1-V SERIES	40%	34%	MIRCOM	MG1-HV SERIES	40%	34%
				MIRCOM	MG1-HOV SERIES	40%	34%
				MIRCOM	MG1-V SERIES	40%	34%
				MIRCOM	MG1-HV SERIES	40%	34%
				MIRCOM	MG1-HOV SERIES	40%	34%
				MIRCOM	MG1-V SERIES	40%	34%
				MIRCOM	MG1-HV SERIES	40%	34%
				MIRCOM	MG1-HOV SERIES	40%	34%
				MIRCOM	MG1-V SERIES	40%	34%
				MIRCOM	MG1-HV SERIES	40%	34%
				MIRCOM	MG1-HOV SERIES	40%	34%
				MIRCOM	MG1-V SERIES	40%	34%
				MIRCOM	MG1-HV SERIES	40%	34%
				MIRCOM	MG1-HOV SERIES	40%	34%
				MIRCOM	MG1-V SERIES	40%	34%
				MIRCOM	MG1-HV SERIES	40%	34%
				MIRCOM	MG1-HOV SERIES	40%	34%
				MIRCOM	MG1-V SERIES	40%	34%
				MIRCOM	MG1-HV SERIES	40%	34%
				MIRCOM	MG1-HOV SERIES	40%	34%
				MIRCOM	MG1-V SERIES	40%	34%
				MIRCOM	MG1-HV SERIES	40%	34%
				MIRCOM	MG1-HOV SERIES	40%	34%
				MIRCOM	MG1-V SERIES	40%	34%
				MIRCOM	MG1-HV SERIES	40%	34%
				MIRCOM	MG1-HOV SERIES	40%	34%
				MIRCOM	MG1-V SERIES	40%	34%
				MIRCOM	MG1-HV SERIES	40%	34%
				MIRCOM	MG1-HOV SERIES	40%	34%
				MIRCOM	MG1-V SERIES	40%	34%
				MIRCOM	MG1-HV SERIES	40%	34%
				MIRCOM	MG1-HOV SERIES	40%	34%
				MIRCOM	MG1-V SERIES	40%	34%
				MIRCOM	MG1-HV SERIES	40%	34%
				MIRCOM	MG1-HOV SERIES	40%	34%
				MIRCOM	MG1-V SERIES	40%	34%
				MIRCOM	MG1-HV SERIES	40%	34%
				MIRCOM	MG1-HOV SERIES	40%	34%
				MIRCOM	MG1-V SERIES	40%	34%
				MIRCOM	MG1-HV SERIES	40%	34%
				MIRCOM	MG1-HOV SERIES	40%	34%
				MIRCOM	MG1-V SERIES	40%	34%
				MIRCOM	MG1-HV SERIES	40%	34%
				MIRCOM	MG1-HOV SERIES	40%	34%
				MIRCOM	MG1-V SERIES	40%	34%
				MIRCOM	MG1-HV SERIES	40%	34%
				MIRCOM	MG1-HOV SERIES	40%	34%
				MIRCOM	MG1-V SERIES	40%	34%
				MIRCOM	MG1-HV SERIES	40%	34%
				MIRCOM	MG1-HOV SERIES	40%	34%
				MIRCOM	MG1-V SERIES	40%	34%
				MIRCOM	MG1-HV SERIES	40%	34%
				MIRCOM	MG1-HOV SERIES	40%	34%
				MIRCOM	MG1-V SERIES	40%	34%
				MIRCOM	MG1-HV SERIES	40%	34%
				MIRCOM	MG1-HOV SERIES	40%	34%
				MIRCOM	MG1-V SERIES	40%	34%
				MIRCOM	MG1-HV SERIES	40%	34%
				MIRCOM	MG1-HOV SERIES	40%	34%
				MIRCOM	MG1-V SERIES	40%	34%
				MIRCOM	MG1-HV SERIES	40%	34%
				MIRCOM	MG1-HOV SERIES	40%	34%
				MIRCOM	MG1-V SERIES	40%	34%
				MIRCOM	MG1-HV SERIES	40%	34%
				MIRCOM	MG1-HOV SERIES	40%	34%
				MIRCOM	MG1-V SERIES	40%	34%
				MIRCOM	MG1-HV SERIES	40%	34%
				MIRCOM	MG1-HOV SERIES	40%	34%
				MIRCOM	MG1-V SERIES	40%	34%
				MIRCOM	MG1-HV SERIES	40%	34%
				MIRCOM	MG1-HOV SERIES	40%	34%
				MIRCOM	MG1-V SERIES	40%	34%
				MIRCOM	MG1-HV SERIES	40%	34%
				MIRCOM	MG1-HOV SERIES	40%	34%
				MIRCOM	MG1-V SERIES	40%	34%
				MIRCOM	MG1-HV SERIES	40%	34%
				MIRCOM	MG1-HOV SERIES	40%	34%
				MIRCOM	MG1-V SERIES	40%	34%
				MIRCOM	MG1-HV SERIES	40%	34%
				MIRCOM	MG1-HOV SERIES	40%	34%
				MIRCOM	MG1-V SERIES	40%	34%
				MIRCOM	MG1-HV SERIES	40%	34%
				MIRCOM	MG1-HOV SERIES	40%	34%
				MIRCOM	MG1-V SERIES	40%	34%
				MIRCOM	MG1-HV SERIES	40%	34%
				MIRCOM	MG1-HOV SERIES	40%	34%
				MIRCOM	MG1-V SERIES	40%	34%
				MIRCOM	MG1-HV SERIES	40%	34%
				MIRCOM	MG1-HOV SERIES	40%	34%
				MIRCOM	MG1-V SERIES	40%	34%
				MIRCOM	MG1-HV SERIES	40%	34%
				MIRCOM	MG1-HOV SERIES	40%	34%
				MIRCOM	MG1-V SERIES	40%	34%
				MIRCOM	MG1-HV SERIES	40%	34%
				MIRCOM	MG1-HOV SERIES	40%	34%
				MIRCOM	MG1-V SERIES	40%	34%
				MIRCOM	MG1-HV SERIES	40%	34%
				MIRCOM	MG1-HOV SERIES	40%	34%
				MIRCOM	MG1-V SERIES	40%	34%
				MIRCOM	MG1-HV SERIES	40%	34%
				MIRCOM	MG1-HOV SERIES	40%	34%
				MIRCOM	MG1-V SERIES	40%	34%
				MIRCOM	MG1-HV SERIES	40%	34%
				MIRCOM	MG1-HOV SERIES	40%	34%
				MIRCOM	MG1-V SERIES	40%	34%
				MIRCOM	MG1-HV SERIES	40%	34%
				MIRCOM	MG1-HOV SERIES	40%	34%
				MIRCOM	MG1-V SERIES	40%	34%
				MIRCOM	MG1-HV SERIES	40%	34%
				MIRCOM	MG1-HOV SERIES	40%	34%
				MIRCOM	MG1-V SERIES	40%	34%
				MIRCOM	MG1-HV SERIES	40%	34%
				MIRCOM	MG1-HOV SERIES	40%	34%
				MIRCOM	MG1-V SERIES	40%	34%
				MIRCOM	MG1-HV SERIES	40%	34%
				MIRCOM	MG1-HOV SERIES	40%	34%
				MIRCOM	MG1-V SERIES	40%	34%
				MIRCOM	MG1-HV SERIES	40%	34%
				MIRCOM	MG1-HOV SERIES	40%	34%
				MIRCOM	MG1-V SERIES	40%	34%
				MIRCOM	MG1-HV SERIES	40%	34%
				MIRCOM	MG1-HOV SERIES	40%	34%
				MIRCOM	MG1-V SERIES	40%	34%
				MIRCOM	MG1-HV SERIES	40%	34%
				MIRCOM	MG1-HOV SERIES	40%	34%
				MIRCOM	MG1-V SERIES	40%	34%
				MIRCOM	MG1-HV SERIES	40%	34%
				MIRCOM	MG1-HOV SERIES	40%	34%
				MIRCOM	MG1-V SERIES	40%	34%
				MIRCOM	MG1-HV SERIES	40%	34%
				MIRCOM	MG1-HOV SERIES	40%	34%
				MIRCOM	MG1-V SERIES	40%	34%
				MIRCOM	MG1-HV SERIES	40%	34%
				MIRCOM	MG1-HOV SERIES	40%	34%
				MIRCOM	MG1-V SERIES	40%	34%
				MIRCOM	MG1-HV SERIES	40%	34%
				MIRCOM	MG1-HOV SERIES	40%	34%
				MIRCOM	MG1-V SERIES	40%	34%
				MIRCOM	MG1-HV SERIES	40%	34%
				MIRCOM	MG1-HOV SERIES	40%	34%
				MIRCOM	MG1-V SERIES	40%	34%
				MIRCOM	MG1-HV SERIES	40%	34%
				MIRCOM	MG1-HOV SERIES	40%	34%
				MIRCOM	MG1-V SERIES	40%	34%
				MIRCOM	MG1-HV SERIES	40%	34%
				MIRCOM	MG1-HOV SERIES	40%	34%
				MIRCOM	MG1-V SERIES	40%	34%
				MIRCOM	MG1-HV SERIES	40%	34%
				MIRCOM	MG1-HOV SERIES	40%	34%
				MIRCOM	MG1-V SERIES	40%	34%
				MIRCOM	MG1-HV SERIES	40%	34%
				MIRCOM	MG1-HOV SERIES	40%	34%
				MIRCOM	MG1-V SERIES	40%	34%
				MIRCOM	MG1-HV SERIES	40%	34%
				MIRCOM	MG1-HOV SERIES	40%	34%
				MIRCOM	MG1-V SERIES	40%	34%
				MIRCOM	MG1-HV SERIES	40%	34%
				MIRCOM	MG1-HOV SERIES	40%	34%
				MIRCOM	MG1-V SERIES	40%	34%
				MIRCOM	MG1-HV SERIES	40%	34%
				M			