



Flex Gen4 Dual Sensor Camera

Enhanced security with AI-powered multi-directional camera



Improved Situational Awareness

Available in 10MP and 16MP resolution plus superior WDR, defog and individually controllable IR per sensor



Edge Intelligence

Dedicated AI analytics built into each sensor enable independent object classification, rules and alerts with no restriction on captured data types



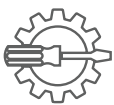
Cost-Effective

Wider field of view and lower cost of ownership with dual-head sensors, one power cable, and one VMS license



Corridor Mode

Optimized aspect ratio to get less wall and more hall regardless of deployment



Designed for Easy Install

Camera simply clicks onto mounting plate featuring clips for internal connections and a single driver for all screws



Cyber Secure

NDAA compliant, encrypted data, and conforms to rigorous JCI cyber security regime

Specifications

Camera	10MP (2x 5MP)	16MP (2x 8MP)
Image Sensor	Sony 1/2.8" Progressive Scan CMOS imager	Sony 1/1.8" Progressive Scan CMOS imager
Lens	3.42 mm – 6.85 mm, motorized focus and zoom, P-Iris F/1.85(W) – F/2.4(T) One Touch auto focus, manual and automatic focus with zoom	
Field of View (FoV)	H: 99.7° – 45.5° V: 68.1° – 32.7°	H: 104.4° – 47.2° V: 53.9° – 26.3°
Day/Night	True Day/Night CF removal	
Minimum Illumination	Color: 0.13 lux B/W: 0.04 lux IR on: 0 lux	Color: 0.1 lux B/W: 0.03 lux IR on: 0 lux
Sensor Module Control	Each sensor manually repositionable	
Camera Angle Adjustment	Pan 355°, Tilt 60°, Rotation 355°	
Electronic Shutter Control	Automatic, Manual (1/4 to 1/32000 sec)	
IR Illumination* <small>*Non-IR model: NA</small>	Dedicated IR per sensor 850 nm LEDs, 35 m (114.83 ft) Individually controllable	Dedicated IR per sensor 850 nm LEDs, 30 m (98.43 ft) Individually controllable
Memory	2048 MB RAM, 8192 MB Flash	
Video		
Bandwidth Management	IntelliZip® Smart Codec	
Video Compression	H.264/H.265/MJPEG H.264 IntelliZip® / H.265 IntelliZip®	
Bitrate Control	CBR/VBR/CVBR (configurable)	
Resolution (HxV) & Aspect Ratio	4:3: 2x 2560x1920 (2x 5MP) to 480x272	16:9: 2x 3840x2160 (2x 8MP) to 480x272
Max Frame Rate (60 Hz/50 Hz)	2MP: 60/50 fps 5MP: 30/25 fps	2MP: 60/50 fps 8MP: 15/12.5 fps
Video Streams	Triple Streaming with a maximum of 5 concurrent shared streams (per sensor)	
Dynamic Range	True multi shutter WDR up to 120dB SmartWDR, TWDR 2x, TWDR 3x	
SmartDefog	Supported	
Image Orientation	None, Mirror, Flip, Flip and Mirror Corridor Mode (rotate 90° right or left)	
Picture Settings	Auto Exposure: Multiple Profiles (incl Auto, Gaming, LPR), Multiple ROI (incl AI ROI: Object, Person), Gain Control (Auto, Max, Manual), Flickerless, White Balance (Auto Normal, Auto Wide, Manual), text overlay	
Privacy Zones	20 user definable rectangular zones (10 per sensor)	
Image Stabilization	Electronic Image Stabilization (available in future firmware release)	
Analytics		
AI Object Classification	Classes: Person, Bicycle, Bus, Car, Motorbike, Train, Truck, Any Class Rules: Object Detected, Perimeter, Linger, Dwell, Abandoned/Removed, Enter, Exit, Crowd, Queue Sub-Classes: Person Clothing Color (Upper, Lower), Vehicle Color	
AI Tamper Detection	Blackout, Whiteout, Scene Change (FoV tamper)	
AI Blur Detection	Supported	
AI Metadata	Supported	
Motion Detection Zones	6 zones supported (3 zones per sensor)	
Network		
Network	IEEE 802.3, 10/100Base-T Ethernet, RJ45, auto sensing	
Cyber security	ISASecure ISA/IEC 62443-4-1 certified secure development Secure boot Signed and encrypted firmware	
Authentication and Security	TLS, HTTPS (HTTP over TLS), WS-Security, Certificate Management, Multi-level password protection, IP address filtering, HTTPS encryption, Enhanced Security (One-Click Security Hardening), User Access Log, Validate Complex Credentials, Disabling Unused Protocols, IEEE 802.1x (PEAP, EAP-TLS, EAPoL)	
Protocols	TCP/IP, IPv4, IPv6, TCP, UDP, HTTP, FTP, DHCP, WS-Discovery, DNS, DDNS, RTP, RTCP, RTSP, TLS, Unicast, Multicast, NTP, ICMP, IGMP, SMTP, WS-Security, IEEE 802.1x, PEAP, EAP-TLS, EAPoL, SSH, HTTPS, SOAP, WS-Addressing, CIFS, UPNP, LLDP, QoS, SIP, ARP, EAP-LEAP, QoS	
Network management	SNMPv1/v2c/v3(MIB-2)	
Simultaneous users	10 users	

System Integrations

Application Programming Interface	ONVIF conformance with future firmware release Illustra iAPI via Connected partner program
Event Triggers	Motion Detection, Tamper & Blur Detection, AI Object classification, Alarm Input, Network Loss, Periodic Event, Temperature
Event Actions	Record to SD card, Snapshot, SMTP e-mail file transfer, FTP file transfer, CIFS, Auxiliary output, Audio clip playback, SIP Call
Audio compression	G.711 μ -law
Audio Input/Output	Bi-directional, 1x Line input and 1x Line output
External I/O Terminals	1x Alarm In and 1x Alarm Out

Peripherals

Onboard Storage	2 x microSDXC slots, Class 10 or better, upto 2TB supported (1TB per slot), Card not included. Pre event / Post event 1- 10 sec Encrypted storage and streaming TrickleStor offline recording and backfilling via VideoEdge and ExacqVision NVR
Wireless configuration	Micro USB via optional USB Wi-Fi Dongle IA-KIT-WD-UUA

Electrical

Power	Power over Ethernet (PoE+) IEEE 802.3at Type 2 Class 4 24VAC IR model: 23.1W; 1.75A Non-IR model 16.5W; 1.3A	23.3W; 1.75A
Dual Power Redundancy	Supported	

Physical

Operating Condition	Operating temperature: -40°C (-40°F) to +60° C (140°F) Start-up temperature: -40°C (-40°F) Humidity: up to 95% RH, Non-Condensing
Casing	IP66, IP67, NEMA 4x and IK10 rated Housing: Aluminum alloy Dome: Polycarbonate Color: Signal White Pantone RAL 9003
Dimensions (LxWxH)	220mm x 123mm x 93.8mm (8.66in x 4.84in x 3.69in)
Weight	Net 1.2 kg (2.65 lbs), Gross 2 kg (4.41 lbs)

Regulatory

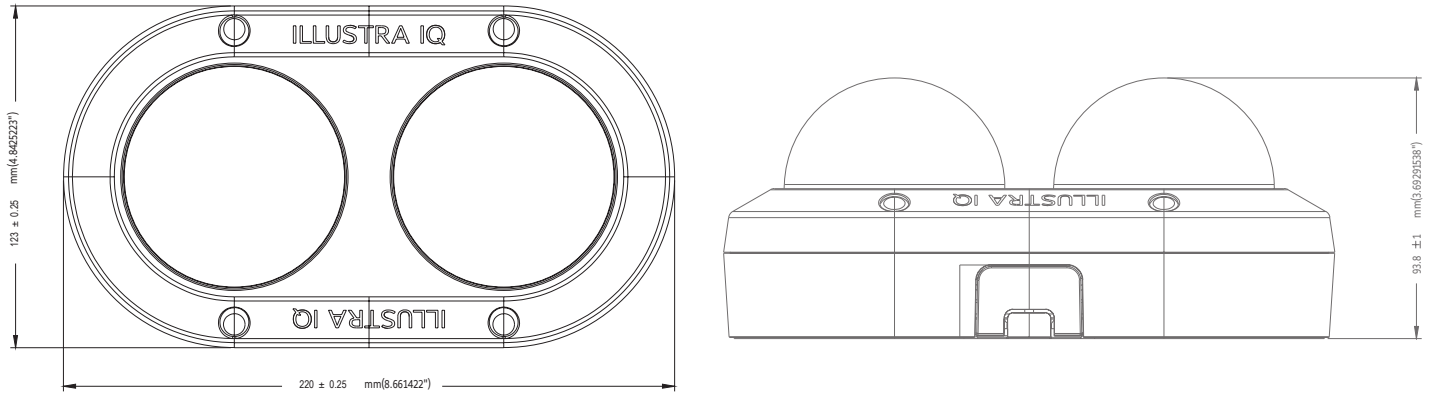
EMC	BS/EN 55032 Class A, FCC Part 15 Class A; EN55032 Class A; AS/NZS CISPR 32 Class A; ICES-003/NMB-003 Class A, IEC/BS/EN 61000-3-2, BS/EN 61000-3-3, BS/EN 50130-4, IEC 61000-4-2/3/4/5/6/11
Safety	CAN/CSA C22.2, BS/EN 62368-1, UL 62368-1, AS/NZS 62368-1, J62368-1, CEI EN 62368-1 EN50121-4, EN60950-1, UL60950-1, IEC 60950-1, CSA 22.2 No. 60950
Environment	NEMA 250 Type 4X, IEC 62262 (IK10), IEC 60529 (IP66/67), RoHS, WEEE, REACH

General

Web Browsers	Microsoft Edge, Firefox, Safari, Chrome
Language	Arabic, Chinese (Simplified), Chinese (Traditional), Czech, Danish, English (default), French, German, Hungarian, Italian, Japanese, Korean, Netherlands, Polish, Portuguese, Russian, Spanish, Swedish, Turkish
NDAA Compliant	Yes
TAA Compliant	Yes
Warranty	5 Years

Camera Dimensions

Unit: mm(in)



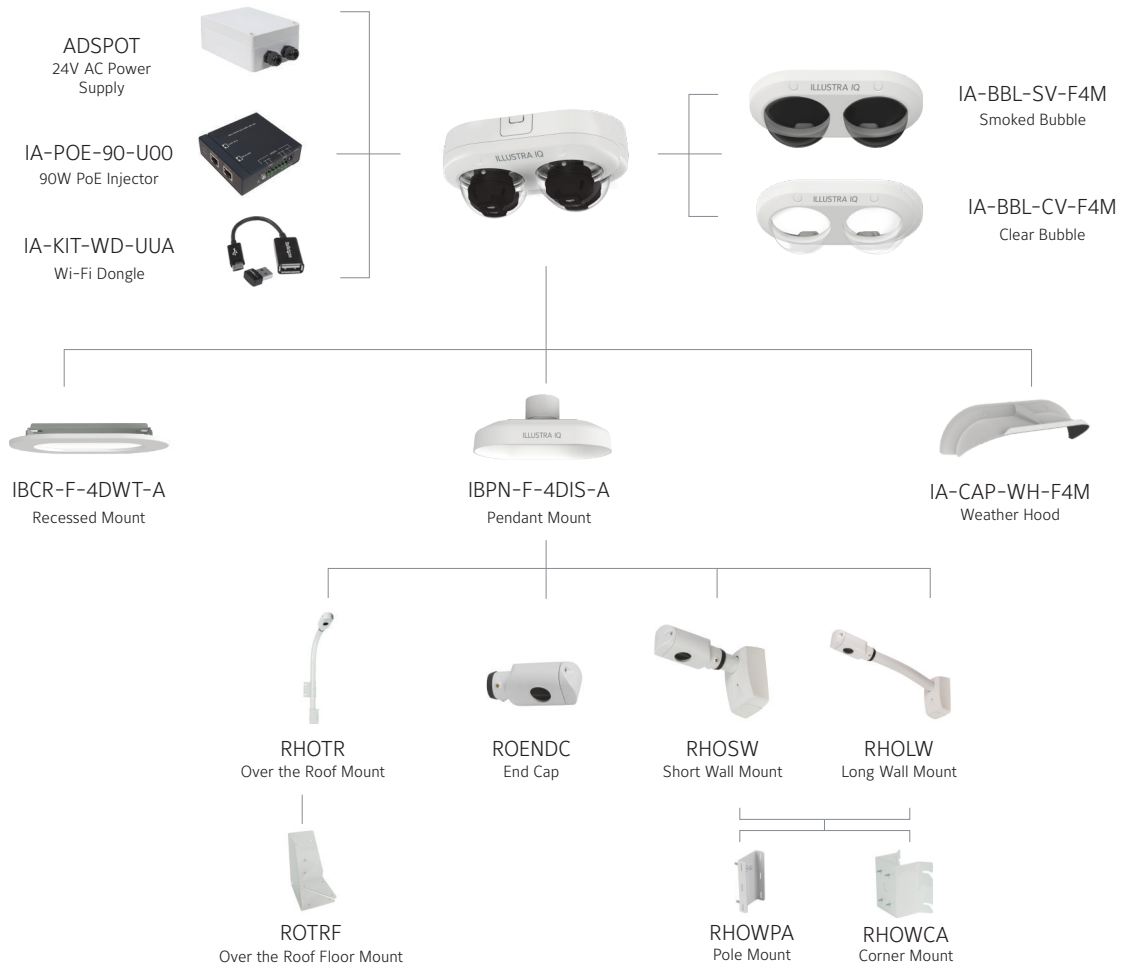
Ordering Information

Model Number	Description
IFS10-M10-OIA4	Illustra Flex Gen4 10MP Dual Sensor, MFZ 3.42-6.85mm, Edge AI, TWDR, TDN w/IR, IP66/67, IK10
IFS10-M10-OTA4	Illustra Flex Gen4 10MP Dual Sensor, MFZ 3.42-6.85mm, Edge AI, TWDR, TDN, IP66/67, IK10
IFS16-M10-OIA4	Illustra Flex Gen4 16MP Dual Sensor, MFZ 3.42-6.85mm, Edge AI, TWDR, TDN w/IR, IP66/67, IK10

Optional Accessories

Model Number	Description
IBPN-F-4DIS-A	Illustra Flex Gen4 Dual Sensor Pendant Mount
IA-CAP-WH-F4M	Illustra Flex Gen4 Dual Sensor Weather Hood
IA-BBL-CV-F4M	Illustra Flex Gen4 Dual Sensor Clear Bubble
IA-BBL-SV-F4M	Illustra Flex Gen4 Dual Sensor Smoked Bubble
IBCR-F-4DWT-A	Illustra Flex Gen4 Dual Sensor Recessed Mount
RHOLW	Wall Mount, 1 1/2" NPT, long (23") (use with IBPN-F-4D15-A), white
RHOSW	Wall Mount, 1 1/2" NPT, short (11") (use with IBPN-F-4D15-A), white
ROENDC	End cap for RHOxW mounts
RHOTR	Over roof mount, 1 1/2" NPT, white
ROTRF	Over the Roof Floor Mount (use with RHOTR)
RHOWCA	Corner Mount (use with RHOxW and IBPN-F-4D15-A)
RHOWPA	Pole Mount (use with RHOxW and IBPN-F-4D15-A)
ADSPOT	60w 24V AC Power Supply
IA-POE-90-U00-EU	90w PoE Injector, EU and UK power plug
IA-KIT-WD-UUA	Illustra Wi-Fi Dongle Kit

Accessory Chart



IL1443-DS-202308-R01-HS-EN