

FEATURES

- Patented Double Conductive Shielding of Pyroelectric Element [FX-40D]
- Patented Multi-Focus Lens
- Look Down Zone
- Sealed Optics
- Temperature Compensation Circuit

FUNCTIONS

- Selectable Pulse Count (2 or 4)
- LED ON/OFF remotely from the control panel (DL terminal) or at the detector.
- Tamper Switch

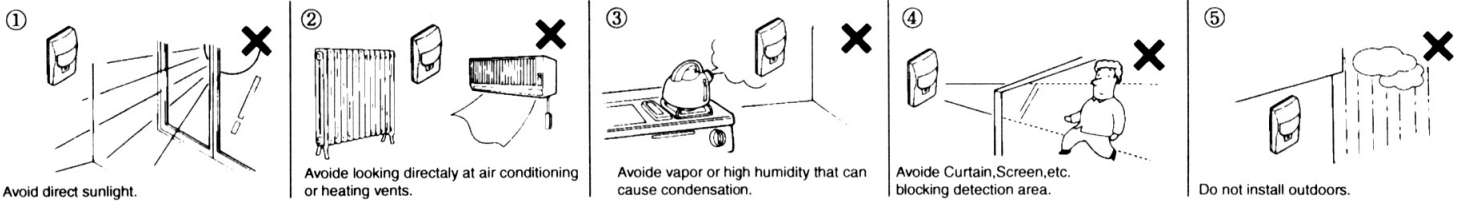
OPTION

- FA-3 Wall & Ceiling Mount Bracket. (Horizontally $\pm 45^\circ$ & Vertically 0° - -15°)
- FL-60N Curtain Long Range Lens.(60ft / 18m)

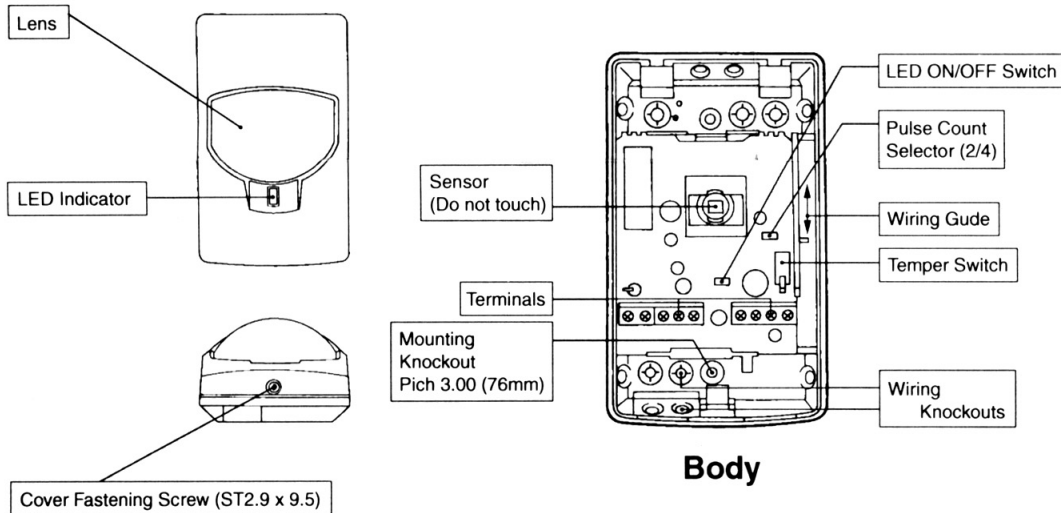
EASY INSTALLATION

- Easy Wiring Knockouts
- Spare Terminal
- Wiring Guide
- Wide Wiring Space

1. INSTALLATION HINTS



2. DESCRIPTION AND OPERATION

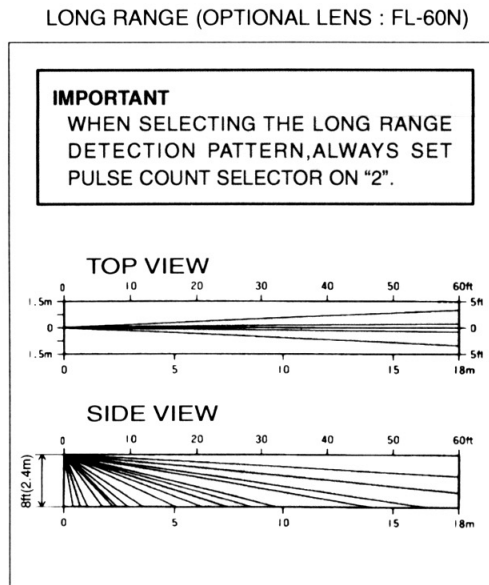
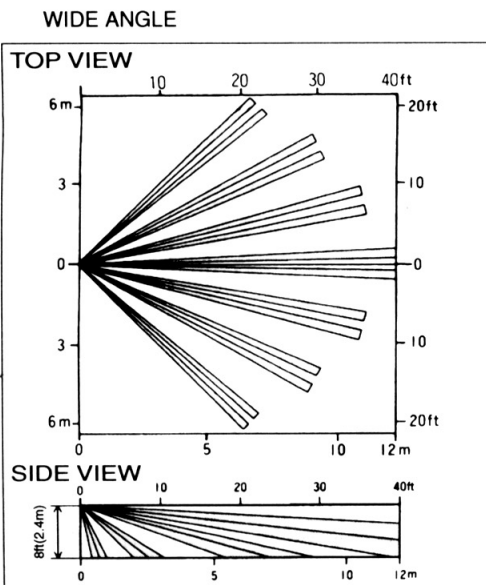


SELECTABLE ON / OFF & PULSE COUNT
Use the pin switch for LED ON / OFF & Pulse Count Selection (2 or 4)

LED ON / OFF	PULSE COUNT
ON OFF	2 4
ON OFF	2 4

EASY WIRING KNOCKOUTS
Press by a screwdriver to open. Enlarge the hole according to size of wire.

3. DETECTION AREA



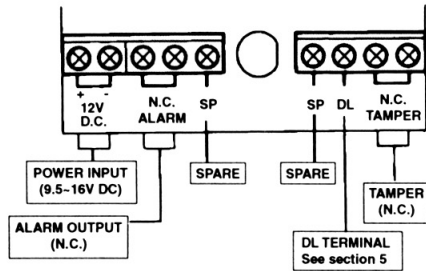
PATTERN AREA SELECTION
Use an optional lens FL-60N for long range area

HOW TO REMOVE & FIT LENS

To remove, press both lens hooks to outside and push to the front.
To fit, press the lens into cover from the front.

Cover inside

4. WIRING



Power wires should not exceed the following lengths.

WIRE GAUGE	12V DC	14V DC
AWG22(0.33mm ²)	1070'(320m)	2140'(650m)
AWG20(0.52mm ²)	1700'(510m)	3400'(1020m)
AWG18(0.83mm ²)	2700'(820m)	5300'(1600m)

When using two or more units on one wire, the maximum length is obtained by dividing the maximum wire length listed above by the number of units used.

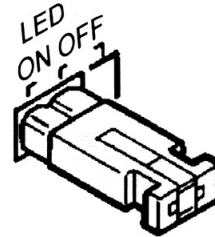
5. LED ON /OFF

*Use Jumper Pin Switch for LED "ON" "OFF" as shown.

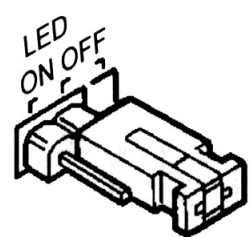
*Use DL terminal to turn LED ON/OFF from control panel remotely.

- 1) Place Jumper Pin Switch in OFF position.
- 2) LED "ON" : Connect DL terminal to common ground with detector. (0~1VDC, grounded)
LED "OFF" : No connection to the DL terminal (open or +5~16VDC).

LED "ON"



LED "OFF"



6. TROUBLE SHOOTING AND MAINTENANCE

PROBLEM	PROBABLE CAUSE	REMEDY
LED does not light	Incorrect power supply voltage. (disconnection, low voltage)	Correct the voltage supply to 9.5 ~ 16V DC.
	Incorrect detection area.	See Section 3
	Incorrect polarity to detector.	Switch positive and negative at terminal.
	LED switch is OFF	Turn on the Switch. (See Section 5)
LED lights even though no person is within area.	Moving object within area. (curtain, wall hanging, etc.)	Remove object from detection area, or change location of detector.
	Rapid temperature changes within area. (heater, air - conditioner, etc.)	Remove the source from area, or change location of detection.
LED lights but signal is not sent.	Relay contact is stuck or damaged due to overloading.	Check load of output. The unit needs repair or replacement.
	Faulty wiring	Wire correctly.

* Conduct a walk test at least once per year.

7. SPECIFICATIONS

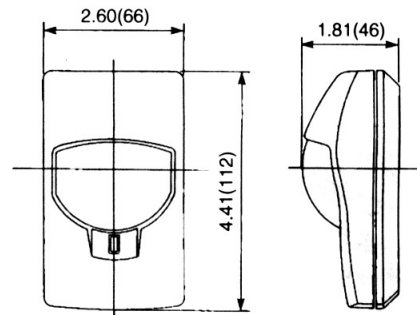
MODEL	FX-40, FX-40D
Detection method	Passive Infrared
Coverage	WIDE : 40ft x 40ft (12m x 12m) 85° wide
Detection zones	WIDE : 72 zones
Mounting Height	5 ~ 8ft (1.5 ~ 2.4m)
Sensitivity	3°F (1.6°C) at 2ft / sec (0.6m / sec)
Detectable speed	1 ~ 5ft / sec (0.3 ~ 1.5m / sec)
LED indicator	Alarm indicator optional
Alarm period	Approx. 2.5 sec
Alarm output	N.C., 28VDC 0.2A max.
Tamper switch	N.C., Open when cover is removed.
Pulse Count	Approx. 20 sec 2 or 4
Warm up period	Approx. 30 sec
Power input	9.5 ~ 16VDC
Current draw	17mA (max.)
Weight	3.2 oz (90g)
Operating temperature	-4°F ~ +122°F (-20°C ~ +50°C)
Environmental humidity	95% max.
RF interference	NO Alarm 20V / m [FX-40]
	NO Alarm 30V / m [FX-40D]

* Specifications and design are subject to change without prior notice.

FL-60N (Optional Lens for Long Range Area Pattern)

Coverage	LONG : 60ft x 6ft (18m x 1.8m) Long Range
Detection zones	LONG : 20 zones

Dimensions



inches (mm)

NOTE

This unit is designed to detect movement of an intruder and activate an alarm control panel. Being only a part of a complete system, we cannot accept responsibility for any damages or other consequences resulting from an intrusion. This Product conforms to category "Residential, Commercial and Light Industry" of EMC Directive. 89/336 EEC.



OPTEX CO., LTD. (ISO 9001 Certified by LRQA)
4-7-5 Niionahama Otsu 520-0801 Japan
TEL:077524-6047 FAX:077522-9022

OPTEX AMERICA, INC.
1845W 205th St. Torrance, CA. 90501-1510 U.S.A.
TEL:310533-1500 FAX:310533-9910

OPTEX (EUROPE) LTD. (ISO 9002 Certified by NQA)
Clivemont Road Cordwallis Park Maidenhead Berkshire SL6 7BU U.K.
TEL:01628/631000 FAX:01628/636311