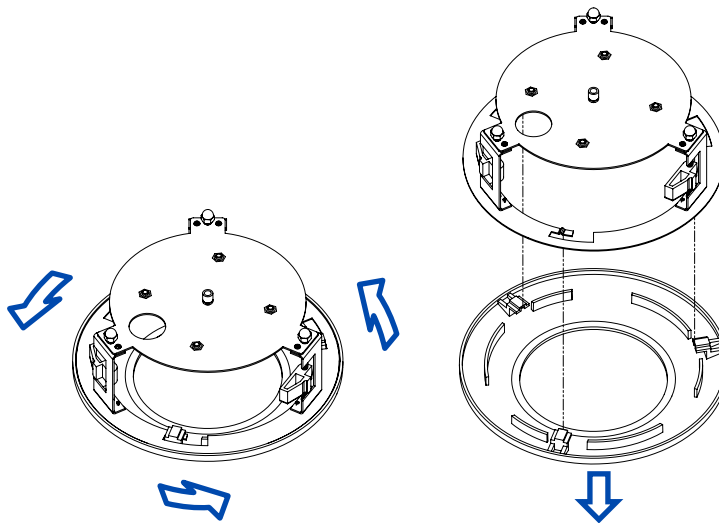


ConteraIP Outdoor Dome Flush Mount Adapter (CLD-FMA) Installation Instructions

This document contains instructions for the installation of the CLD-FMA with ConteraIP AV0xCLD-200 models only.

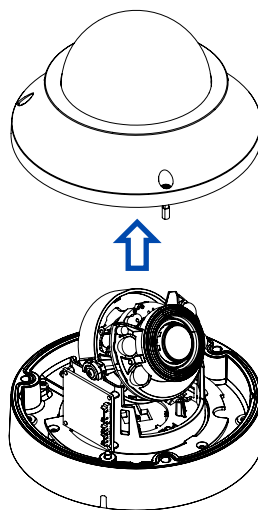
Step 1

Remove cover ring by twisting cover ring in the clockwise direction, detaching cover ring tabs from ring bracket detents, and lift cover ring away from flush mount adapter.



Step 2

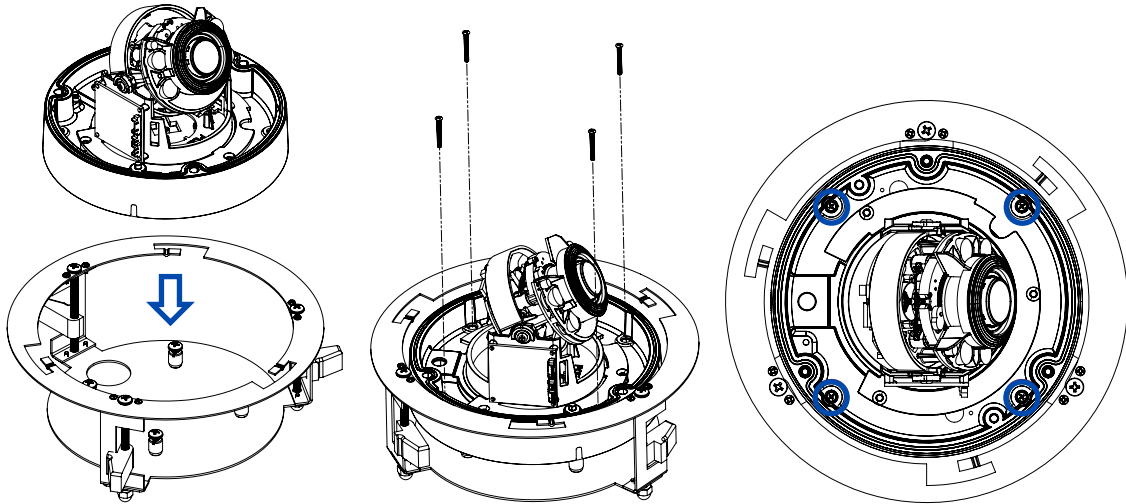
Loosen 3 captive screws that hold bubble assembly to camera housing and remove bubble assembly.



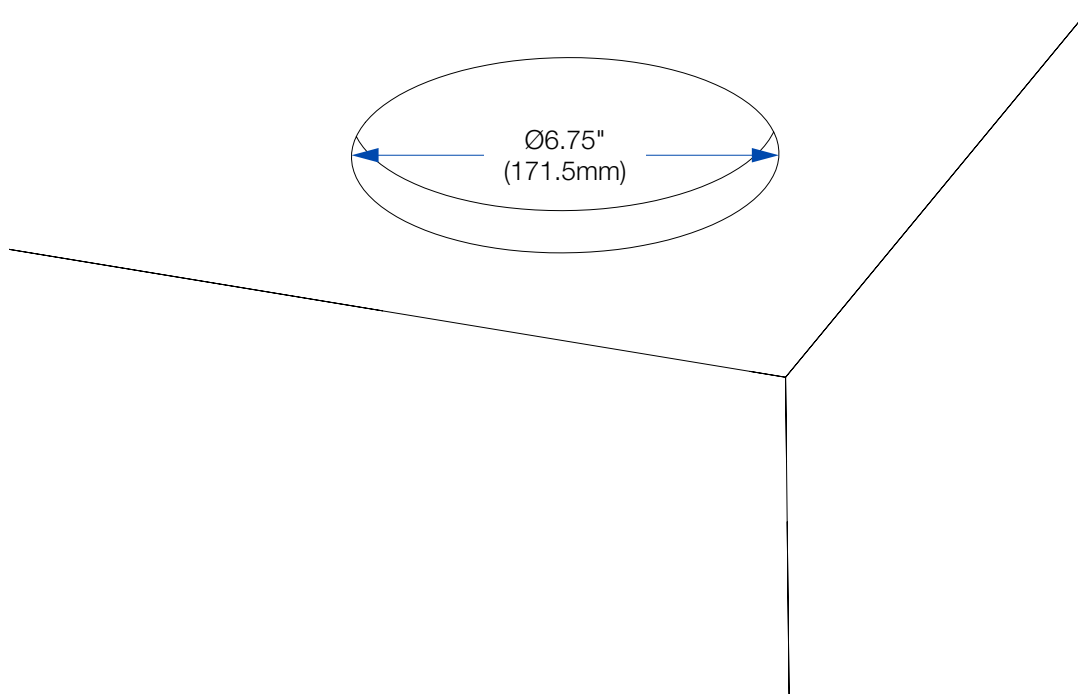
Step 3

Place the camera housing into the flush mount adapter. Insert and tighten the 4 screws provided with the flush mount adapter.

NOTE: Do not remove or damage the rubber layer on the camera housing. It is designed to be pierced by the screw to maintain the IP66 rating and prevent water ingress.

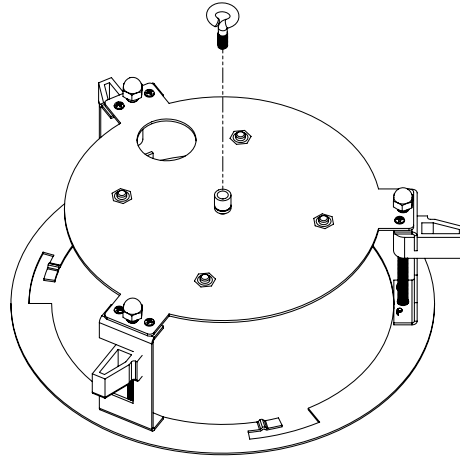
**Step 4**

Using flush mount adapter template, cut a 6.75" [171.5 mm] diameter hole in ceiling at desired camera location.

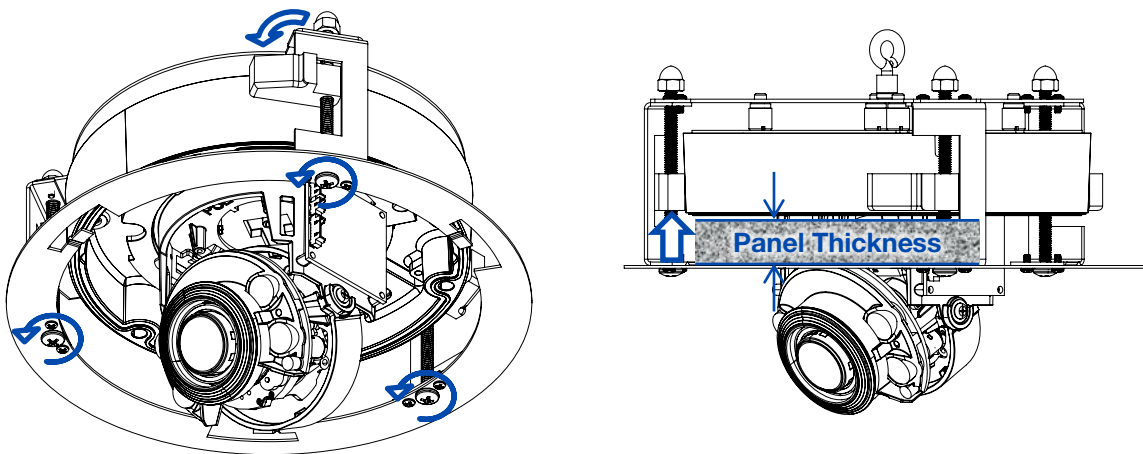


Step 6

Fasten lift eye to flush mount adapter and attach safety cable to lift eye (Cable not supplied).

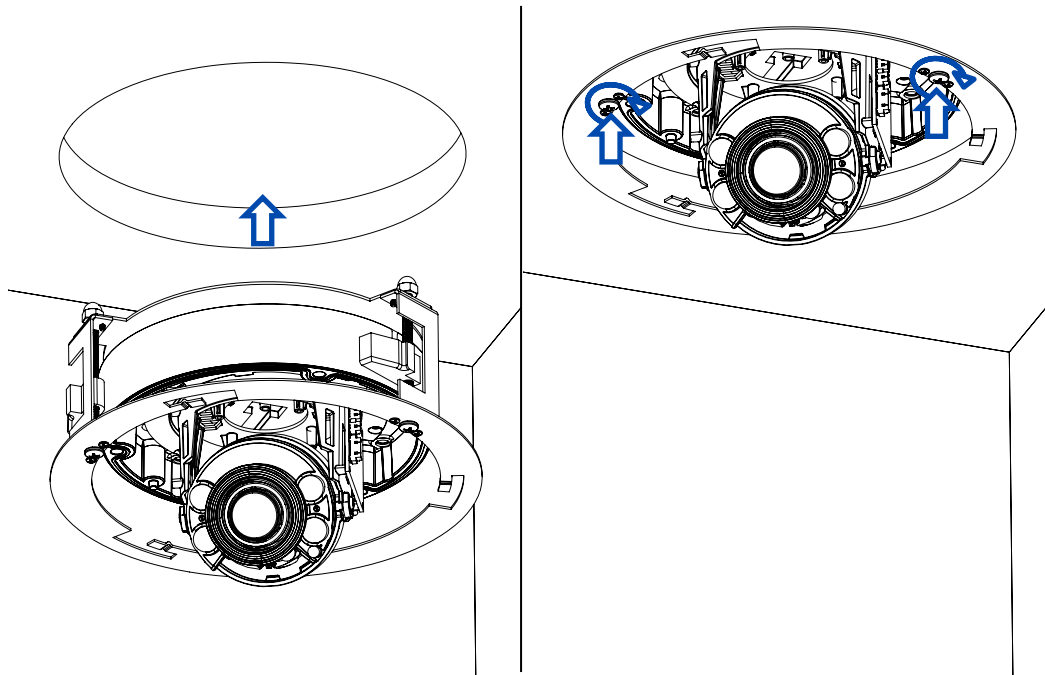
**Step 7**

Turn each of the 3 long screws on the flush mount adapter counterclockwise until support wings are flush with the camera housing AND the distance between the top surface of bracket ring and support wings is greater than the thickness of the ceiling panel into which the system is being installed.

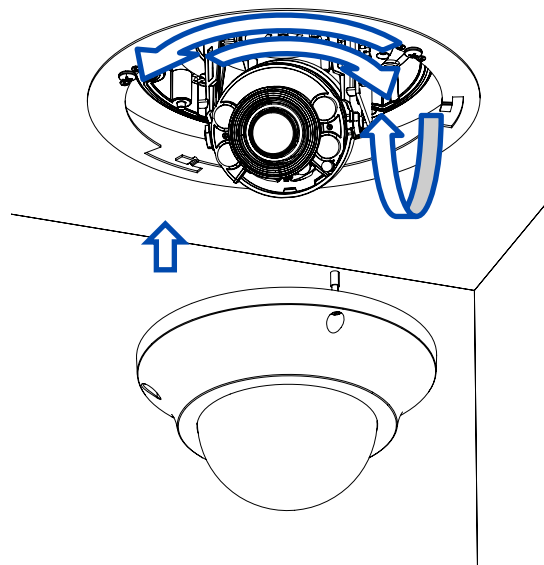


Step 11

Insert housing and bracket assembly into ceiling and turn the 3 support wing screws clockwise until support wings clamp against back of ceiling.

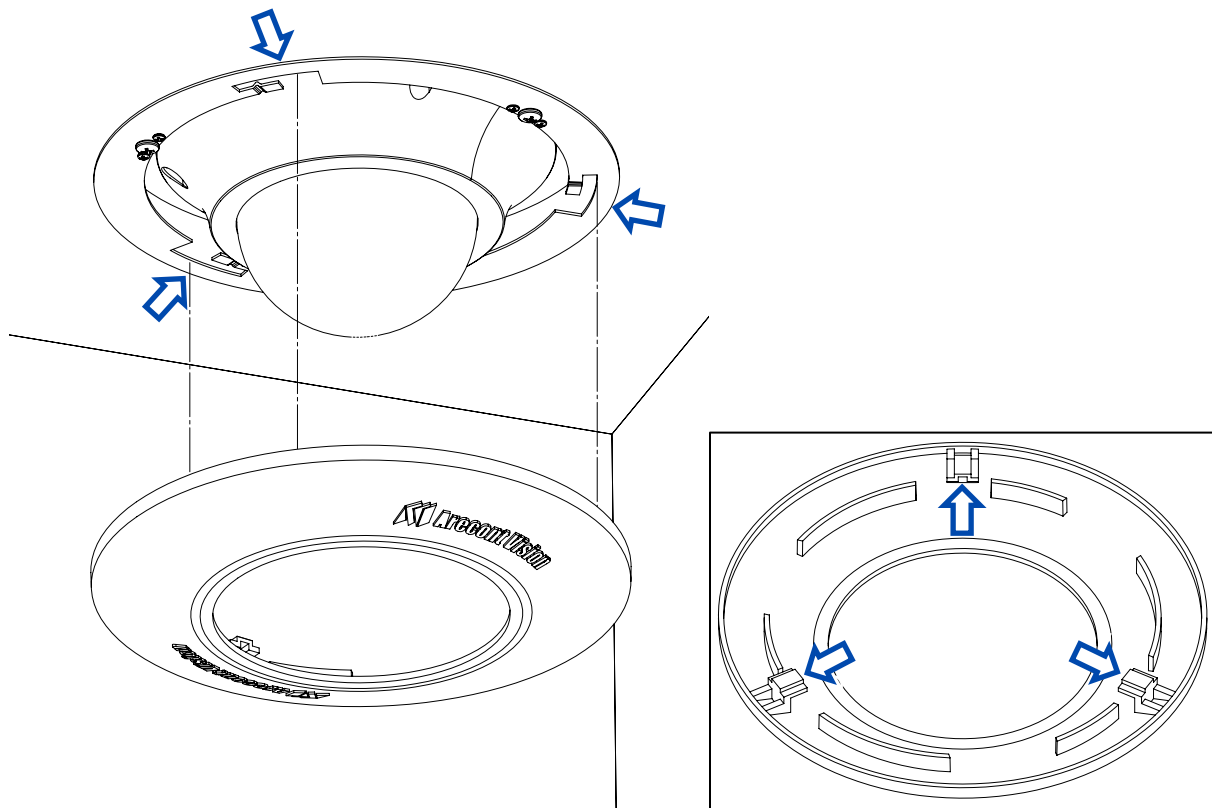
**Step 12**

Pivot gimbal assembly so that camera is pointing in desired direction and fasten bubble assembly to housing.



Step 13

Align tabs on cover ring to notch openings on ring bracket.

**Step 14**

Twist cover ring counterclockwise, enabling tabs on cover ring to lock in place.
Installation complete!

