

Universal Cover Plate - Large

ELK-CPL

The ELK-CPL Universal Cover Plate offers a quick and easy solution for retrofit installations where new keypads or other interfaces will not cover holes or blemishes on walls. The ELK-CPL can be attached to the wall using screws or construction adhesive. It can also be mounted to a single gang low voltage electrical box.

Common applications include:

- Replacing a larger keypad with a smaller keypad
- Replacing older thermostats
- Covering holes from recessed devices
- Creating solid mounting surface on hollow walls for small devices, like proximity readers
- Creating custom indicator panels

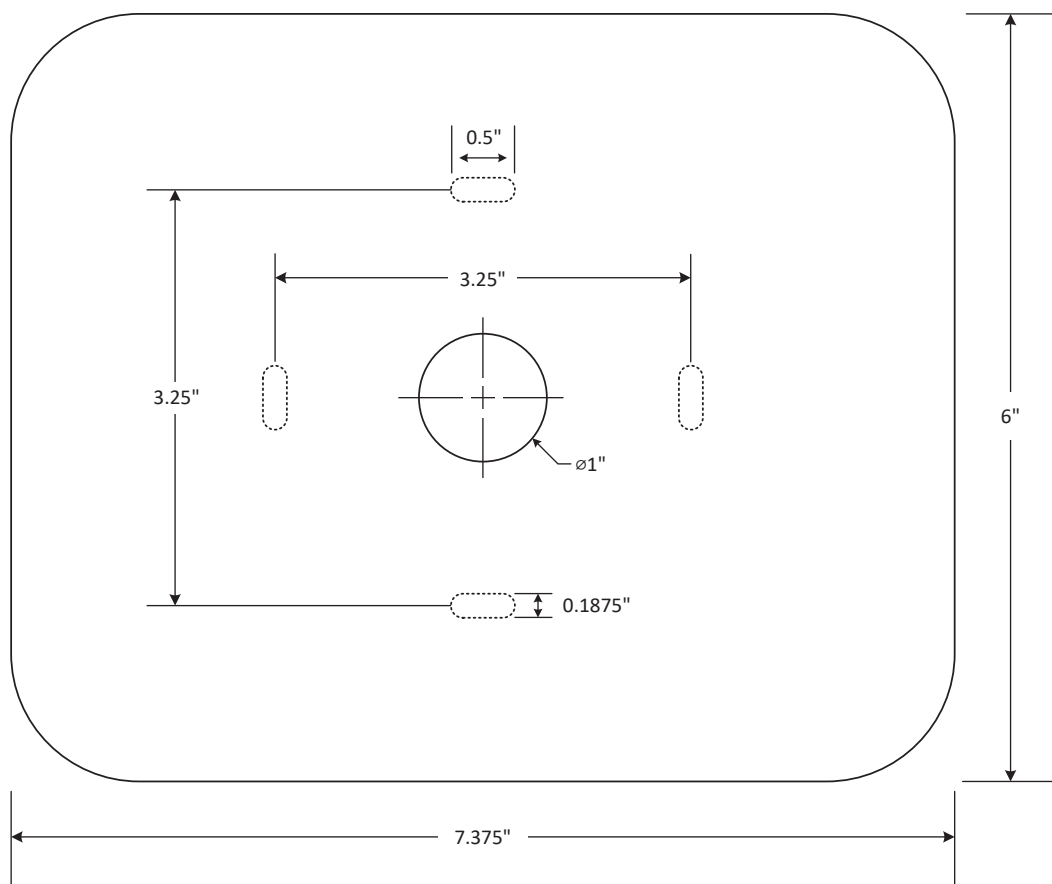
FEATURES

- Low profile with rounded corners for a clean look
- Quality wood construction
- Durable, scratch resistant white varnish
- Package of 5 plates
- Interior use only

SPECIFICATIONS

- 1" center hole for wires
- Mounting hole knockouts for electrical box
- Size: 7.375" x 6" x .25"
- Not suitable for wet installations
- Use with low voltage devices only

ELK-CPL Front View



PO Box 100 • Hildebran, NC 28637 • 800-797-9355 • 828-397-4200
www.elkproducts.com • info@elkproducts.com