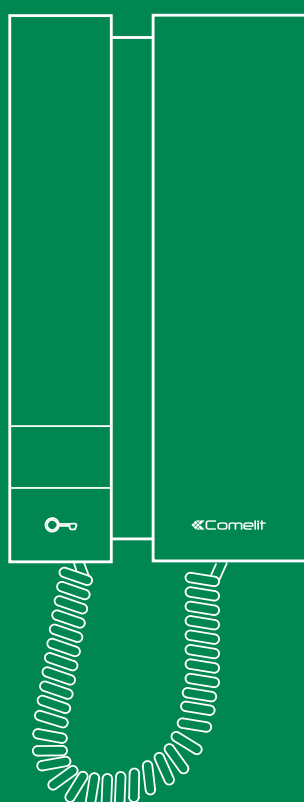


EN

TECHNICAL  
MANUAL



Door-entry phone  
Art. 2738W

 **Comelit**<sup>®</sup>  
Passion. Technology. Design.

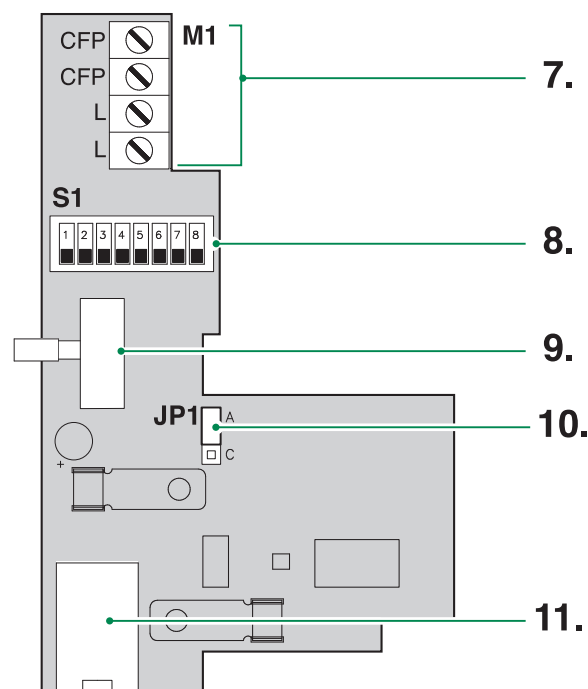
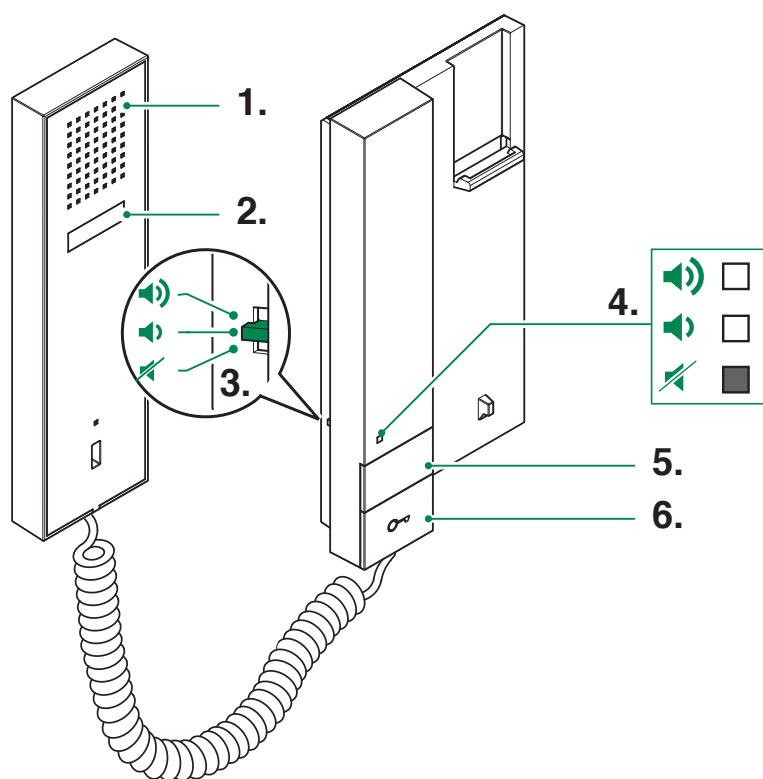
# Table of contents



Description.....	3
Technical specifications .....	4
Installation.....	5
Connections.....	6
Connection to the video entry system riser.....	6
Branched connection to the video entry system riser from the internal video unit.....	6
Programming .....	7
System performance and layouts .....	7

# Description

Article 2738W is a door-entry phone complete with 1 key button, 1 P1 button and a 3-position ringtone / Privacy service selector. Can be used in "Building Kit" systems (exclusively 2-wire).



1. Loudspeaker

2. Audio hook

 **Do not press and hold the audio hook while the handset is lifted**

3. 3-position ringtone / Privacy selector:

*High position: Maximum ringtone volume*

*Middle position: Medium ringtone volume*

*Low position: Privacy activation (Privacy service means exclusion of the call ringtone from the external unit and switchboard)*

4. Red indicator signaling: Privacy service active

5. P1 button for switchboard call / Generic actuator

6. Key button

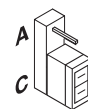
7. Terminal block **M1**:

**CFP CFP** floor door call input  
**LL LL** BUS line connection

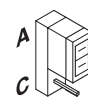
8. DIP-switch for setting user code (See ["DIP-switch programming table"](#)).

9. Bell / Privacy selector

10. **JP1** jumper for selecting the Generic actuator / Switchboard call function of button P1



**C** Switchboard



**A** Generic Actuator

11. Handset connector

# Technical specifications

## MAIN SPECIFICATIONS

Audio system	Yes
Audio/video system	Yes
Wall-mounted	Yes
Desk base-mounted	Yes
Product colour	White
Total buttons	2
LED signaling	No

## FUNCTIONS

Actuator control function	Yes
Switchboard call function	Yes
Privacy function	Yes
Floor door call function	Yes
Electronic bell	Yes

## SETTINGS

Ringtone volume control	Yes
-------------------------	-----

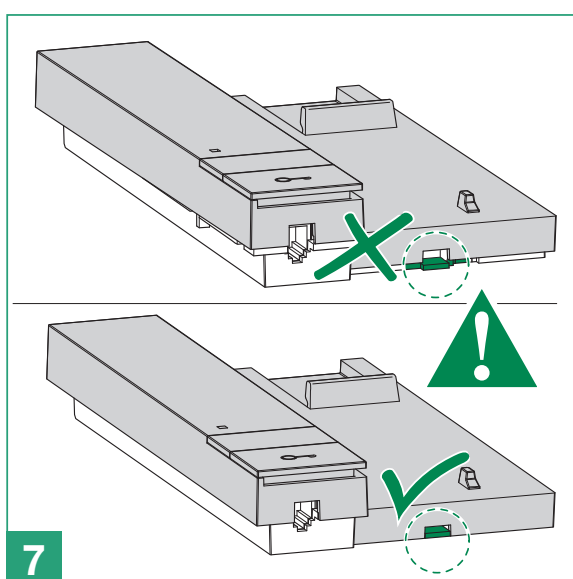
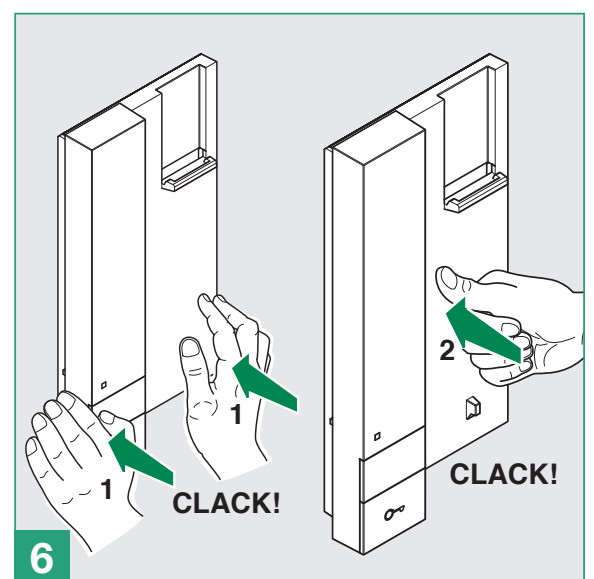
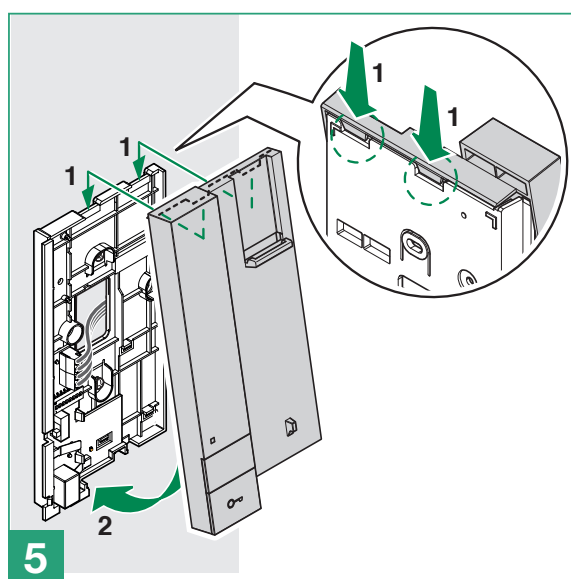
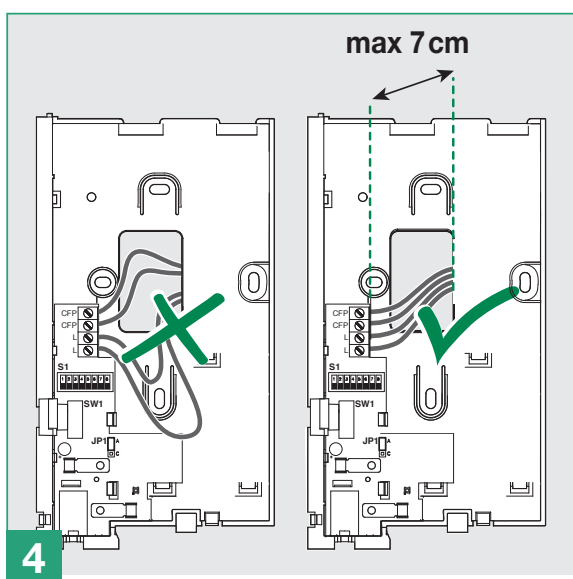
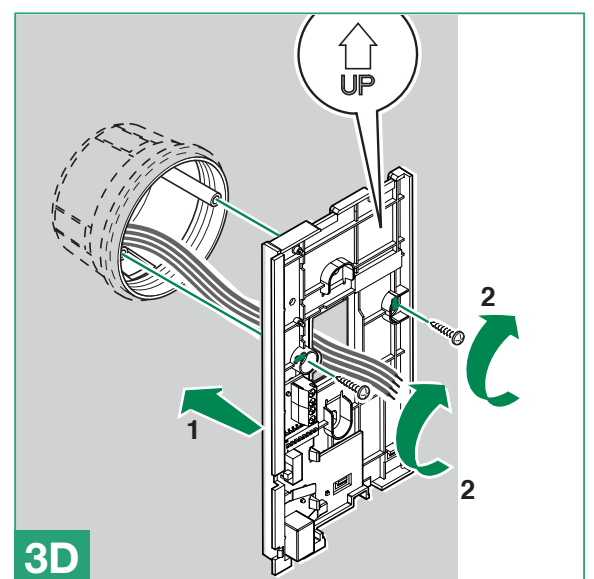
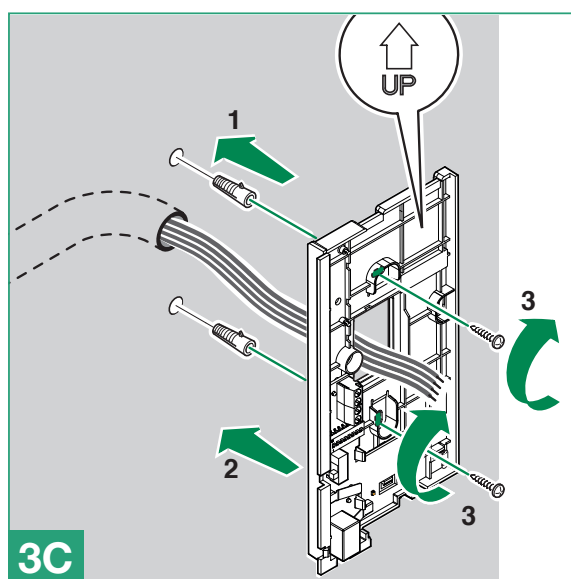
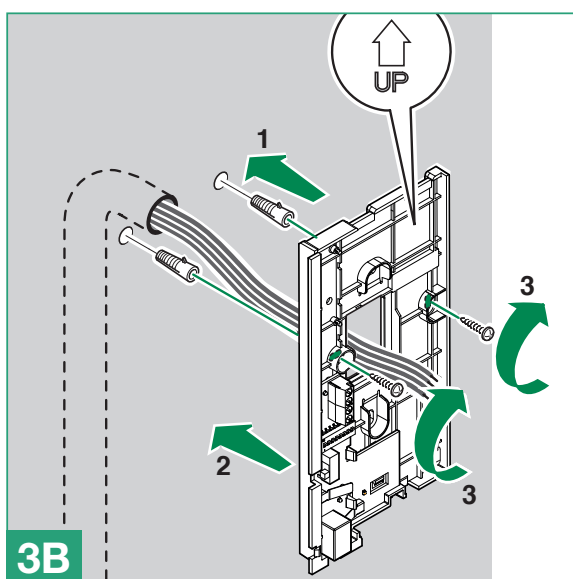
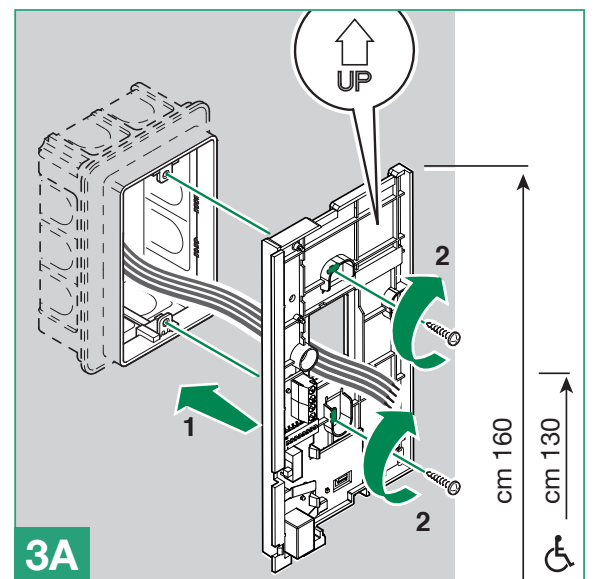
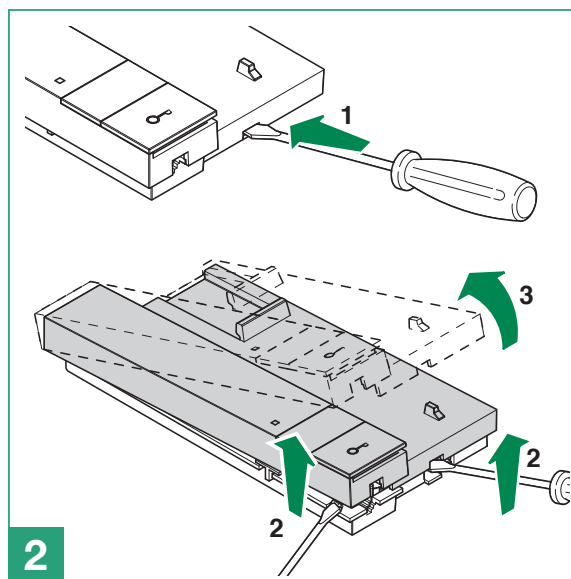
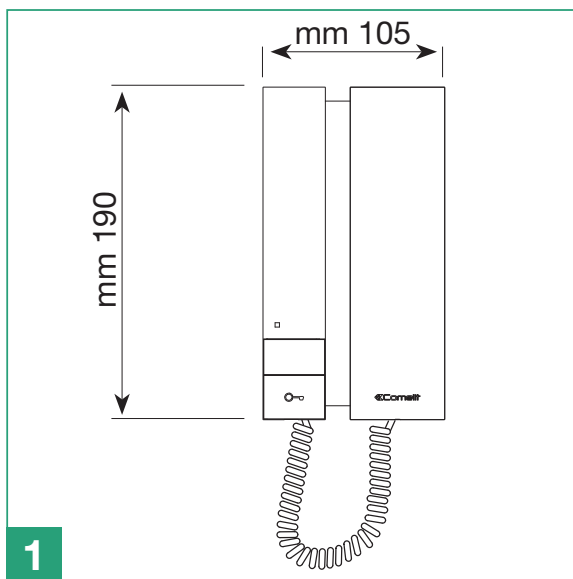
## GENERAL INFO

Product height (mm)	190
Product width (mm)	103
Product depth (mm)	30

## TECHNICAL SPECIFICATIONS

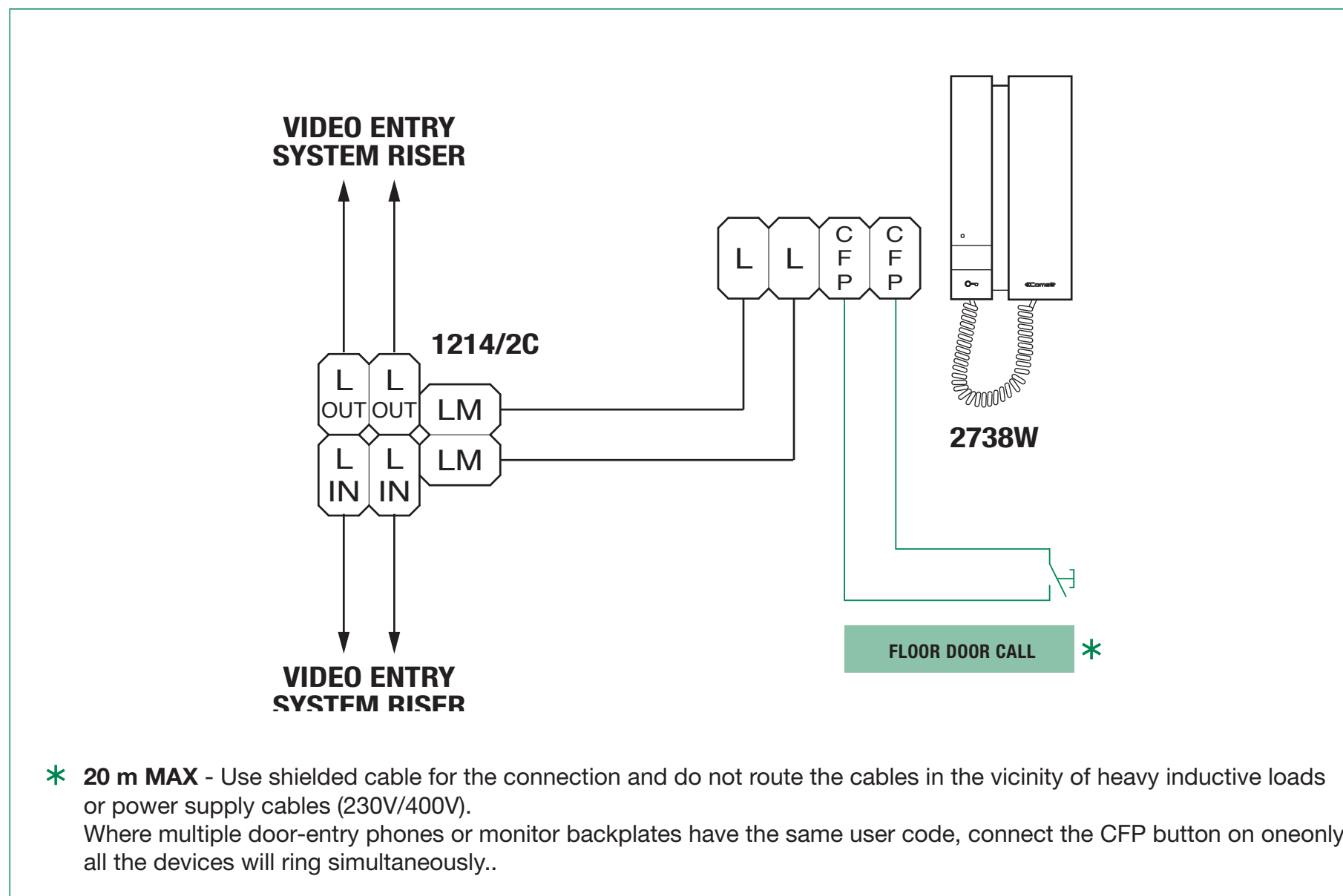
Power supply voltage	22÷35 Vdc
Power consumption stand-by (mA)	0,5÷0,710 Vdc
In called absorption (mA)	25÷30 mA
In communication absorption (mA)	23÷30 mA
Microphone	Ø 9,6 x 6,9 mm
Loudspeaker	Ø 0,50 mm ; Max Input Power 0,5W
IP Rating	30
Operating temperature (°C)	-5÷40
Product weight (g)	0,257 Kg
Clamps	L,L,CFP,CFP

# Installation

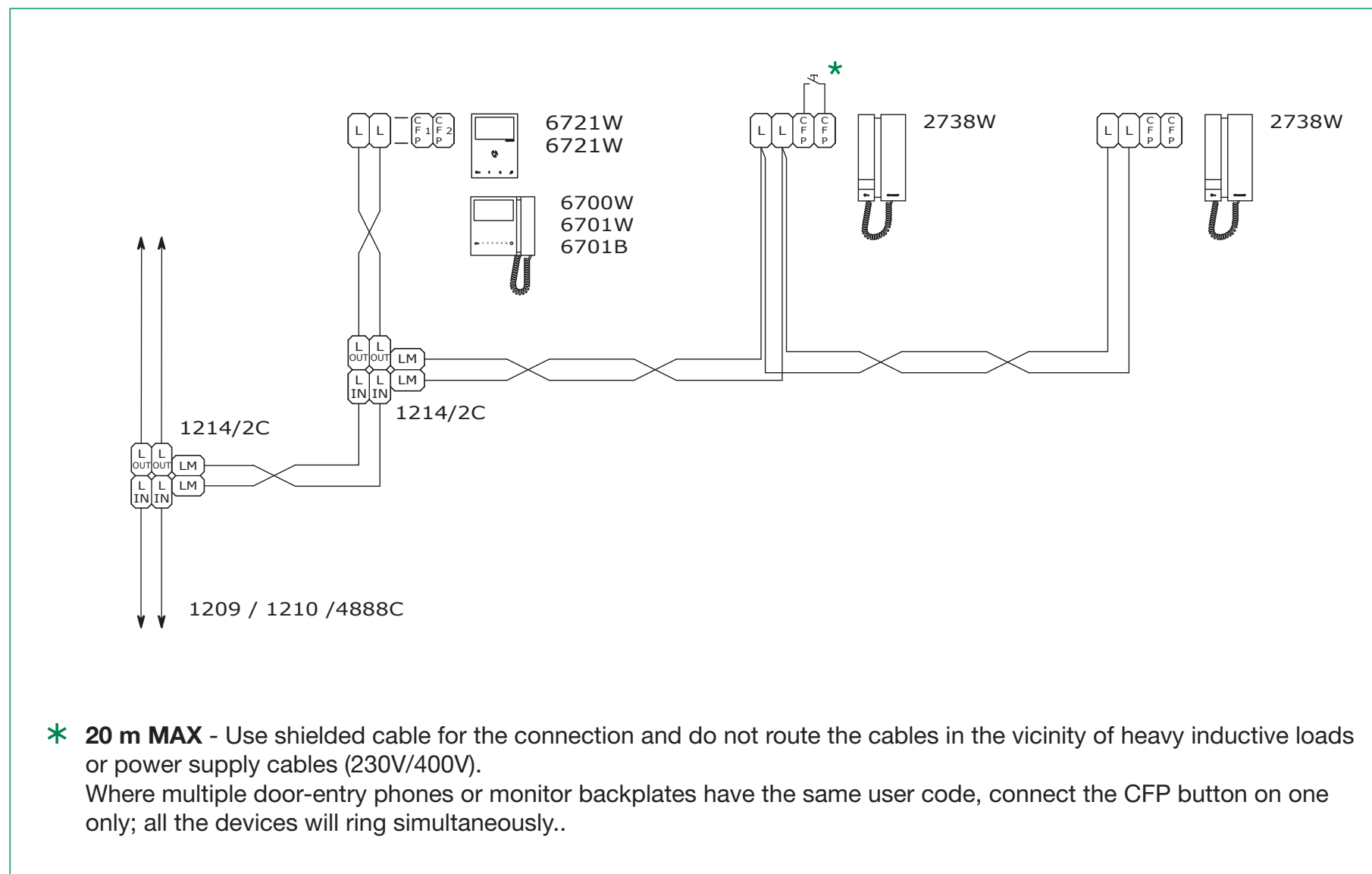


# Connections

## Connection to the video entry system riser



## Branched connection to the video entry system riser from the internal video unit



## Programming

- Each door-entry phone in the system is identified by means of its own code. This code must be set using the Dip switch on the phone card.
- The user code must be set according to the corresponding information provided in the programming table.
- Coding can take place at any time, even without a power supply.

## System performance and layouts

For further information of system performance and to view installation layouts, click on the type of system that best meets your needs:

- [Audio/video kit](#) for the creation of audio-video systems for *individual residences*.
- [Building Kit audio/video system](#) for the creation of audio-video systems for *small apartment blocks*.
- [SBTOP audio/video system](#) for the creation of audio-video systems for *residential complexes*.
- [SB2 audio system](#) for the creation of audio systems for *residential complexes*.

CERTIFIED MANAGEMENT SYSTEMS



[www.comelitgroup.com](http://www.comelitgroup.com)

Via Don Arrigoni, 5 - 24020 Rovetta (BG) - Italy

