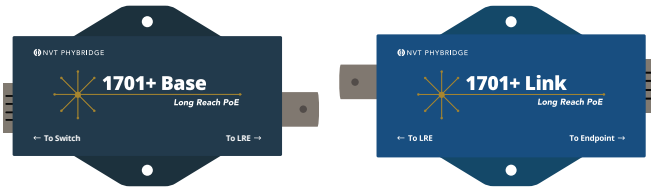


The 1701+ Long Reach PoE extenders deliver up to 420Mbps and power over Coax, UTP (Unshielded Twisted Pair), or Non-twisted cable with reach of up to 8,000ft (2.4km) on RG6. You can extend PoE connectivity to 4 endpoints with a single base unit in a point to point or point to multi-point topology.

1701+ Base

1701+ Link



1701+ Base (NV-EC1701PLS-BSE)

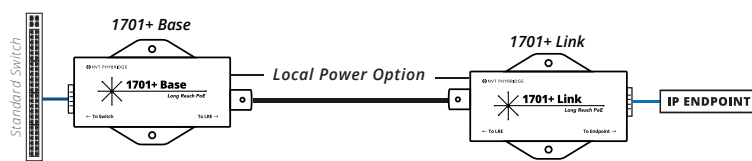
- Paired with 1701+ Link
- Up to 100W PoE*
- Local power option
- IEEE 802.3at compliant

1701+ Link (NV-EC1701PLS-LK)

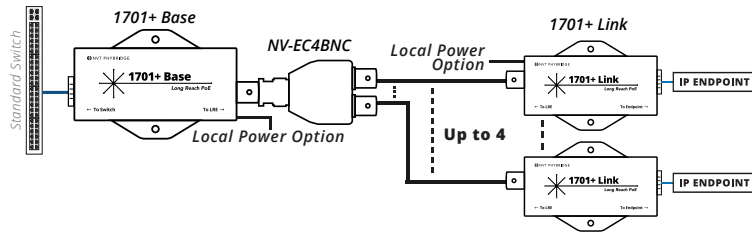
- Paired with 1701+ Base
- Up to 50W PoE on 4-pairs
- Local power option
- IEEE 802.3at compliant

Coax Usage Scenarios:

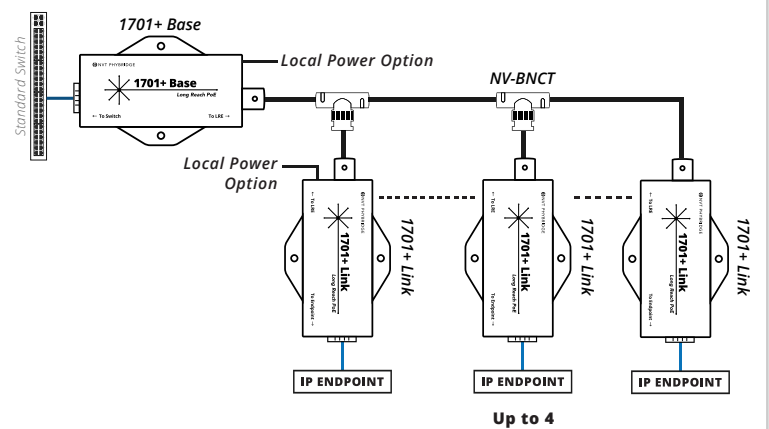
Point to Point



Point to Multi-Point (Star)



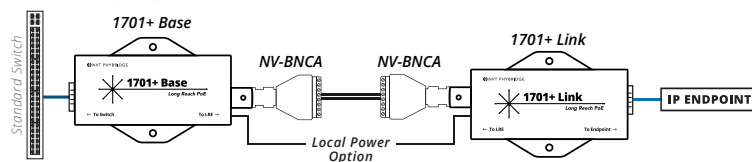
Point to Multi-Point (Daisy Chain)



UTP Usage Scenarios:

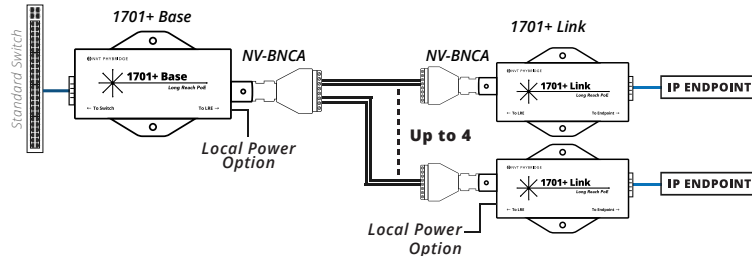
Point to Point

Note: NV-BNCA is polarity sensitive



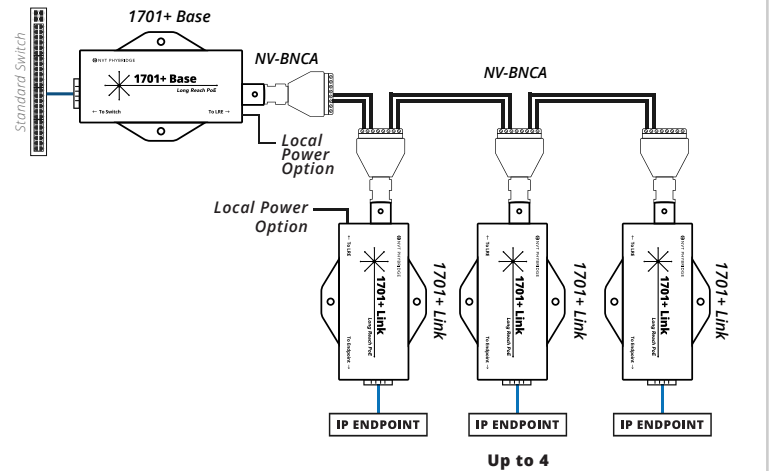
Point to Multi-Point (Star)

Note: NV-BNCA is polarity sensitive



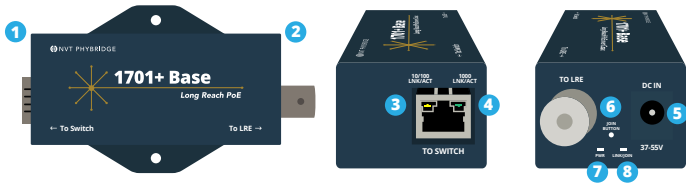
Point to Multi-Point (Daisy Chain)

Note: NV-BNCA is polarity sensitive



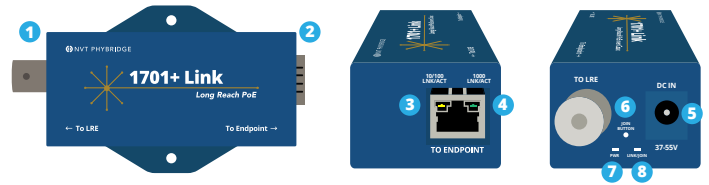
*Laboratory tested; 50W UL tested

1701+ Base Overview



- | | |
|---------------------------------------|--|
| 1. RJ45 Connector (To Switch) | 5. DC input (37-55V) |
| 2. BNC Connector (LRE connection) | 6. Join/Factory Reset button |
| 3. Amber LED 10/100Mbit Link/Activity | 7. Power LED |
| 4. Green LED 1000Mbit Link/Activity | 8. Long Reach Ethernet (LRE) Link / Join indicator LED |

1701+ Link Overview



- | | |
|---------------------------------------|--|
| 1. BNC Connector (LRE connection) | 5. DC input (37-55V) |
| 2. RJ45 Connector (To Endpoint) | 6. Join/Factory Reset button |
| 3. Amber LED 10/100Mbit Link/Activity | 7. Power LED |
| 4. Green LED 1000Mbit Link/Activity | 8. Long Reach Ethernet (LRE) Link / Join indicator LED |

Basic Setup:

- Remove 1701+ Base and 1701+ Link(s) from packaging.
- (Optional) Join the adapters together using a password. See Join instructions.
- (Optional) Connect either NV-EC4BNC or NV-BNCA adapters to cable infrastructure.
- Ensure cables are properly terminated before connecting any 1701+ products.
- Remove all legacy equipment from the cable infrastructure. NOTE: In order to avoid damage to endpoints, it is important that non-IP devices are not connected when you connect the 1701+ Base.
- At the head end, connect the 1701+ Base to the switch and cable infrastructure.
 - (Optional) Connect the 1701+ Base to the power supply. This can be skipped if the 1701+ Base is connected to a POE switch. (Note: the 1701+ Base can only draw 30W from a PoE switch)
- Using CAT5e or higher category cable, connect the endpoint to 1701+ Link.
 - (Optional) If required, connect a power supply to the 1701+ Link. This is recommended if the endpoint draws greater than 25W.
- Connect the 1701+ Link to the cable infrastructure. Verify that the Power and Link LEDs are on.
- Repeat steps 7-8 for each 1701+ Link being connected to the 1701+ Base.

Join / Factory Reset

By default, all 1701+ devices come pre-joined and ready to communicate with other 1701+. However, it is possible to have a group of 1701+ joined under a unique password via two ways:

- Visit our 1701+ Products page at www.nvtpybridge.com to download the 1701+ Configuration Tool.
- Use the join button to join multiple adapters together.

To use the join button:

(Note: a paperclip or other thin item will be needed to press the join button.)

- (Optional) If the adapters have already been in use, factory reset them all by pressing their join button for at least 15 seconds. The LEDs on the unit will perform 1 slow blink if done correctly.
- On the 1701+ Base, press the join button for 10 seconds to generate a new random password. If done correctly, the LEDs will blink slowly 5 times.
- Make sure the 1701+ Base is connected to the 1701+ Link(s) for next step: (Note: this step must be done quickly)
 - Press the join button on the 1701+ Base for 1 second. The join LED will start blinking.
 - Press the join button on the 1701+ Link for 1 second. Both join LEDs will start blinking rapidly.
 - Repeat step 3 for each 1701+ Link being connected to the 1701+ Base.
- Once units have been joined locally, test for successful connectivity with desired endpoints.
- Connect to local cabling.

Accessories



NV-BNCA

The NV-BNCA is a BNC Screw Terminal Adapter optional accessory which can be used to connect any form of UTP or 2-wire cable to the 1701+ devices.

- Strip the ends of your wire.
 - Use the screw terminals to connect the wire to the NV-BNCA. Up to 4 pairs of cables can be connected to support multi-point connections.
 - WARNING:** Do not mix up positive and negative contacts on the BNC Screw Terminal Adapter as it can damage equipment.
 - Connect the NV-BNCA to the 1701+ adapters
- WARNING:** Ensure that both ends of the cable are terminated before connecting to the 1701+ Base.



NV-EC4BNC

The NV-EC4BNC is a BNC Coax Splitter optional accessory which can be used to connect up to 4 devices to a 1701+ Base.



NV-BNCT

The NV-BNCT is a "T" adaptor to split 1701+ signals. The NV-BNCT may be used at the head-end or mid-span for coax daisy-chain applications.

⚠ Safety Warnings and Precautions

All the Safety Warnings and Precautions are available on our website www.nvtpybridge.com. See document "Compliance, Safety and Environmental info"

- | | | | |
|-------------------------------------|--------------------------------|---------------------------------|-----------------------------------|
| • CAUTION, Hot surface | • VARNING, Varm yta | • ETTEVAATUST, Kuum pind | • POZOR, Horúci povrch |
| • ATTENTION, Surface chaude | • ADVARSEL, Varm overflate | • VIGYÁZAT, Forró felület | • VARÚD, Heitt yfirborð |
| • VORSICHT, Heiße Oberfläche | • ΠΡΟΣΟΧΗ, Καυτή επιφάνεια | • PREVIDNOST, Vročá povrchovina | • PRZESTROGA, Gorąca powierzchnia |
| • PRECAUCIÓN, Superficie caliente | • ATTENZIONE, Superficie calda | • POZOR, Horký povrch | • FORSIKTIG, Varm overflate |
| • VAROITUS, Kuuma pinta | • CUIDADO, Superficie quente | • ATSARGIAI, Karštas paviršius | • PRUDENTĀ, Suprafata fierbinte |
| • VOORZICHTIGHEID, Heet oppervlakte | • ATTENZIONI, Więć szun | • UZMANIBU, Karštā virsma | • BHVMÁHVE, rope1.a nosbpxhocr |

Compliance and Environmental Information

All the compliance and environmental information is available on our website www.nvtpybridge.com. See document "Compliance, Safety and Environmental info"