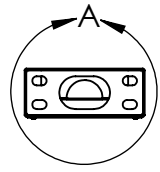
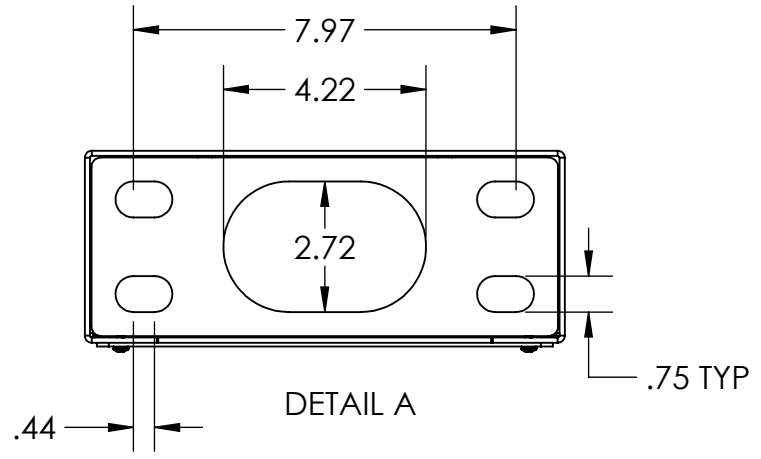
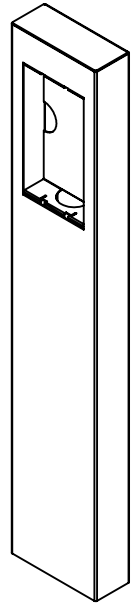
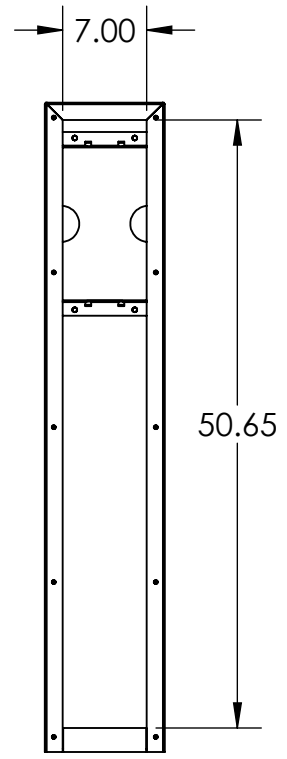
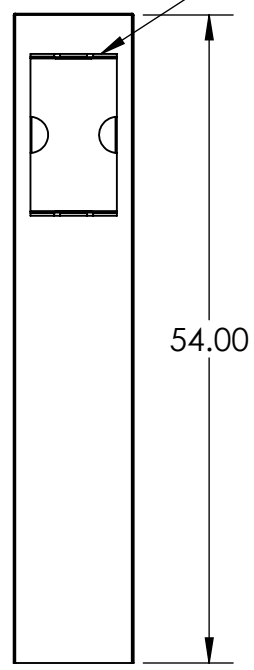


MOUNTS A COMELIT 3ONE6



NOTES:
1. MATERIAL OF CONSTRUCTION IS 304 SS, BRUSHED #4.



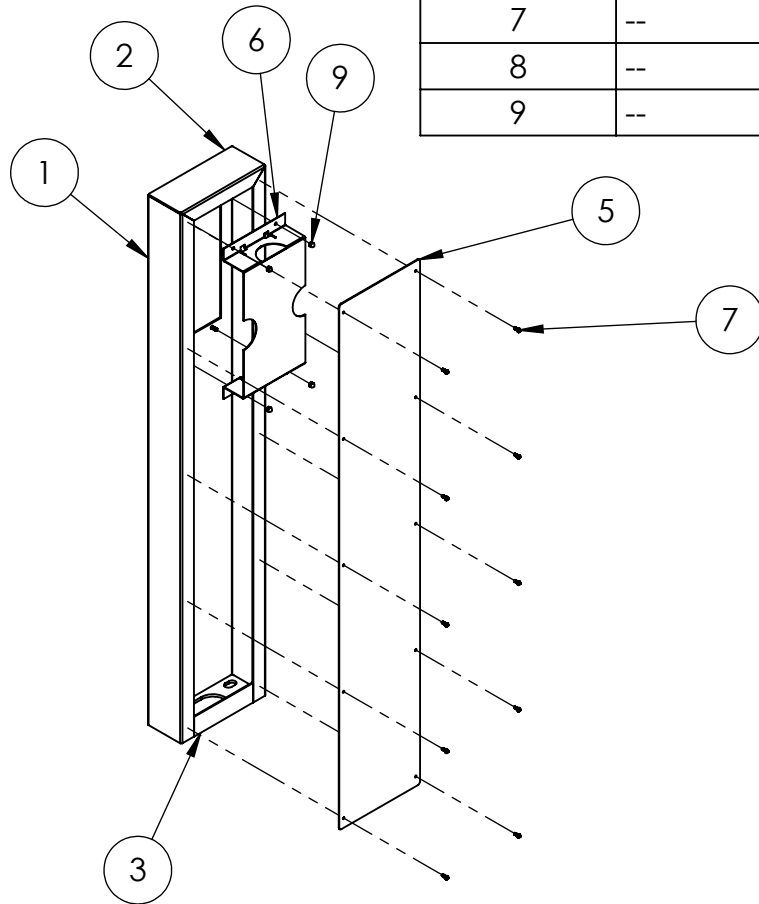
PEDESTALPRO.COM
1-800-660-3072

UNLESS OTHERWISE SPECIFIED:
DIMENSIONS ARE IN INCHES
TOLERANCES:
FRACTIONAL $\pm 1/32$
ANGULAR: $\pm 2^\circ$
TWO PLACE DECIMAL ± 0.010
THREE PLACE DECIMAL ± 0.005
INTERPRET GEOMETRIC TOLERANCING PER: ASME Y14.5 -2009

NAME	DATE
DRAWN	
CHECKED	
PROPRIETARY AND CONFIDENTIAL	
THE INFORMATION CONTAINED IN THIS DRAWING IS THE SOLE PROPERTY OF PEDESTALPRO LLC. ANY REPRODUCTION IN PART OR AS A WHOLE WITHOUT THE WRITTEN PERMISSION OF PEDESTALPRO LLC IS PROHIBITED.	

TITLE: INSTALLATION		
Friday, April 22, 2022 11:51:29 AM	SIZE A	PART NO. 104TOW-COM-001-304
WEIGHT: 49.786	NO SCALE	REV A
		SHEET 1 OF 9

ITEM NO.	PART NUMBER	DESCRIPTION	QTY.
1	104TOW-COM-001-304 MAIN BODY	MAIN BODY	1
2	104TOW-COM-001-304 TOP	TOP	1
3	104TOW-COM-001-304 BOTTOM CLOSURE	BOTTOM CLOSURE	1
4	104TOW-COM-001-304 BASE PLATE	BASE PLATE	1
5	104TOW-COM-001-304 ACCESS PANEL	ACCESS PANEL	1
6	BRA-COME-3ONE6	3ONE6 BRACKET	1
7	--	8-32 X 1/2" PAN HEAD SCREW	10
8	--	10-24 X 1/2" WELD STUD	4
9	--	10-24 CAP NUT	4



NOTES:

1. SEE STANDARD PREPARATION AND COATING INSTRUCTIONS FOR COATING PROCEDURE AND COLOR.
2. SEE STANDARD PACKAGING INSTRUCTIONS FOR PACKAGING PROCEDURE.



PEDESTALPRO.COM
1-800-660-3072

UNLESS OTHERWISE SPECIFIED:

DIMENSIONS ARE IN INCHES
TOLERANCES:
FRACTIONAL: $\pm 1/32$
ANGULAR: $\pm 2^\circ$
TWO PLACE DECIMAL ± 0.010
THREE PLACE DECIMAL ± 0.005

INTERPRET GEOMETRIC
TOLERANCING PER:
ASME Y14.5 -2009

NAME	DATE
DRAWN	
CHECKED	

PROPRIETARY AND CONFIDENTIAL
THE INFORMATION CONTAINED IN THIS DRAWING IS THE SOLE PROPERTY OF PEDESTALPRO LLC. ANY REPRODUCTION IN PART OR AS A WHOLE WITHOUT THE WRITTEN PERMISSION OF PEDESTALPRO LLC IS PROHIBITED.

TITLE:
ASSEMBLY

Friday, April 22, 2022
11:51:29 AM

WEIGHT: 49.786

SIZE	PART NO.	REV
A	104TOW-COM-001-304	A

NO SCALE

SHEET 2 OF 9