

Models SM1EZ  
and SM4T



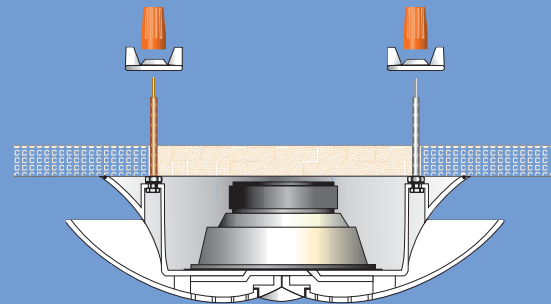
The Easy Install™ Speaker  
INSTALLS IN SECONDS!

**BOGEN®**

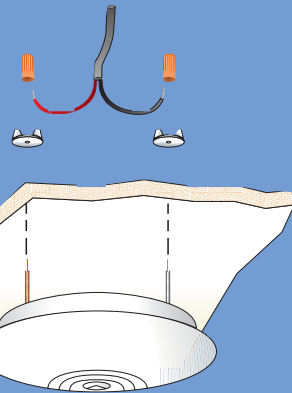
))))))))) **REDUCE INSTALLATION TIME**

Bogen's new *EASY INSTALL™* speaker can be completely installed – mounted in the ceiling, secured, and connected – in less than a minute! The time saved in installation has an immediate impact on productivity, and that gives profitability an instant boost.

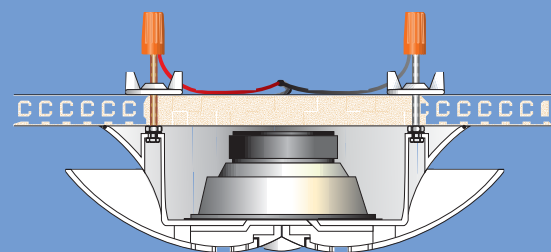
**How does it install? Simple.**



**A** The speaker's two specially-designed studs pierce the ceiling tile.



**B** Wide-based wing nuts secure the speaker assembly to the ceiling tile.

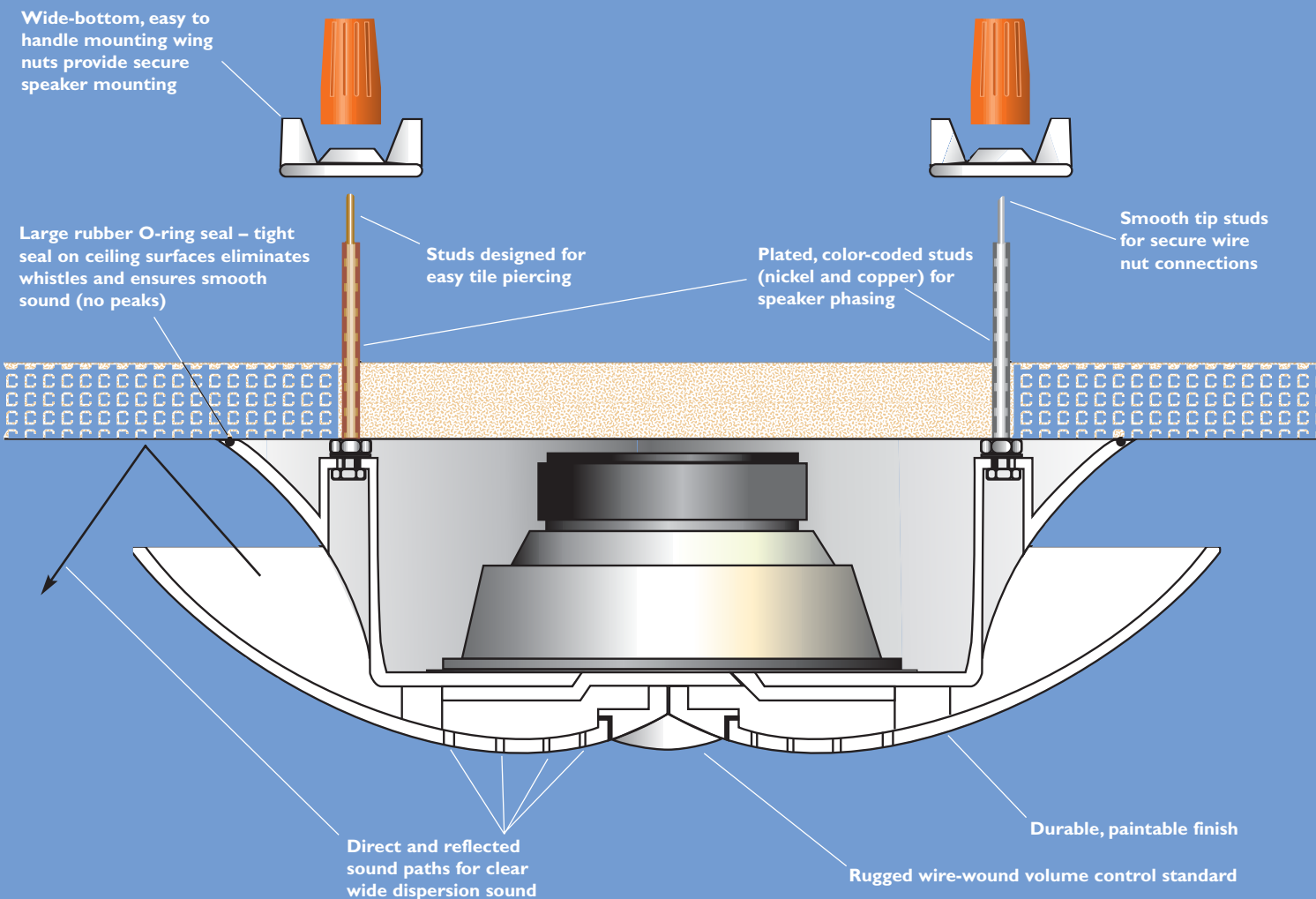


**C** Two standard wire nuts connect the speaker wires to the studs – and that's all it takes!

The studs are designed to easily pierce standard ceiling tiles. They have smooth tips for secure wire nut connections, and are also color coded for easy polarity identification. One stud is nickel-plated, the other copper-plated. The wing nuts are specially designed to provide secure mounting and are easy to handle as well.

**No-Tool Installation**

No more cutting holes in ceiling tiles! No more wrestling with hardware! No more cleaning up crumbled tiling! The savings in time add up along the way...fewer parts, trouble-free installation, and virtually no mess, so there's nothing to dispose of.



**PRODUCES A SMOOTHER, MORE CONSISTENT SOUND FIELD** ()))))))))

The *EASY INSTALL* speaker is designed to produce a wide dispersion of sound even at higher frequencies where other speakers begin to beam.

**High Quality Sound**

A wider dispersion area is produced by a combination of direct and reflected sound paths. This provides enhanced intelligibility and makes exact speaker placement less critical. The new *EASY INSTALL* speaker features a heavy O-ring at the base of the speaker cavity to seal it tight to the ceiling tile.

**Good Looking**

A low-profile contemporary design allows this versatile speaker to be installed anywhere, blending nicely with the style of any environment because it can be painted for those installations where color coordination is a factor.

**Lightweight and Durable**

The *EASY INSTALL* speaker weighs only two pounds, yet its ABS plastic shell is quite durable.

Easier to install! Faster to install! Enhanced coverage! The *EASY INSTALL* speaker is a sound solution. Call (201) 934-8500 today for the name of the Bogen supplier nearest you.

**Volume control** is standard on both *EASY INSTALL* speaker models. A high-quality, wire-wound volume control is an integral part of the design. Although it's easily accessible, it doesn't stand out so people won't be tempted to touch it. Installers can "tweak" it without going back into the ceiling.



\*The *EASY INSTALL* speaker is available in a 1-watt single-tap version or a 4-watt multi-tap version. Both models have a volume control. The 4-watt multi-tap version has a rotary switch, which eliminates transformer tap wires.

The *EASY INSTALL* speaker carries voice messages with clarity through offices, hospitals, restaurants, malls, retail stores – anywhere that requires dependable, clear communication.

- 9-1/2" diameter
- 3" height
- Weight: 2 lbs.
- Frequency response: 125Hz to 15kHz
- Sensitivity: 90 dBspl (1 watt @ 1 meter)
- Designed for 25V & 70V amplifier output
- Tile bridge accessory available (Model SMTB)

For more than sixty-five years, Bogen Communications, Inc. has been a leading provider of commercial amplifiers, speakers, and intercom systems for music, paging and educational applications.

**BOGEN**<sup>®</sup>  
COMMUNICATIONS, INC.

E-mail: [info@bogen.com](mailto:info@bogen.com)  
[www.bogen.com](http://www.bogen.com)